

VAPORGUARD™ Tape

Polyguard VaporGuard Tape is a non-curing elastomer developed for use as a vapor stop on sub-freezing insulation systems. This product provides excellent cold temperature flexibility at -20° F.

PRODUCT USES

System design includes installation under the insulation at terminations and in-line vapor stop locations, or expansion joints. VaporGuard retards moisture ingress along the pipe and into the insulation system at terminations and insulation joints. Detail drawings are available on the website.

APPLICATION TECHNIQUES

All material is extruded on to removable release paper backing to facilitate handling. To use, material is pressed into place on one surface. The paper is stripped off, and the second surface is brought into contact with the exposed surface.

PRECAUTIONS

Do not take internally. Keep out of reach of children.

STORAGE AND HANDLING

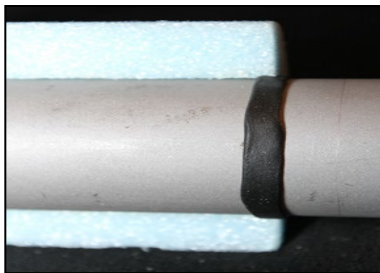
It is suggested that the material be stored in a cool, dry area in the original sealed containers, right side up.

PACKAGING

- VaporGuard™ Tape** is available in
- 1.4" x 50' extruded size (32/case)
 - 12" x 40' extruded size (4/case)

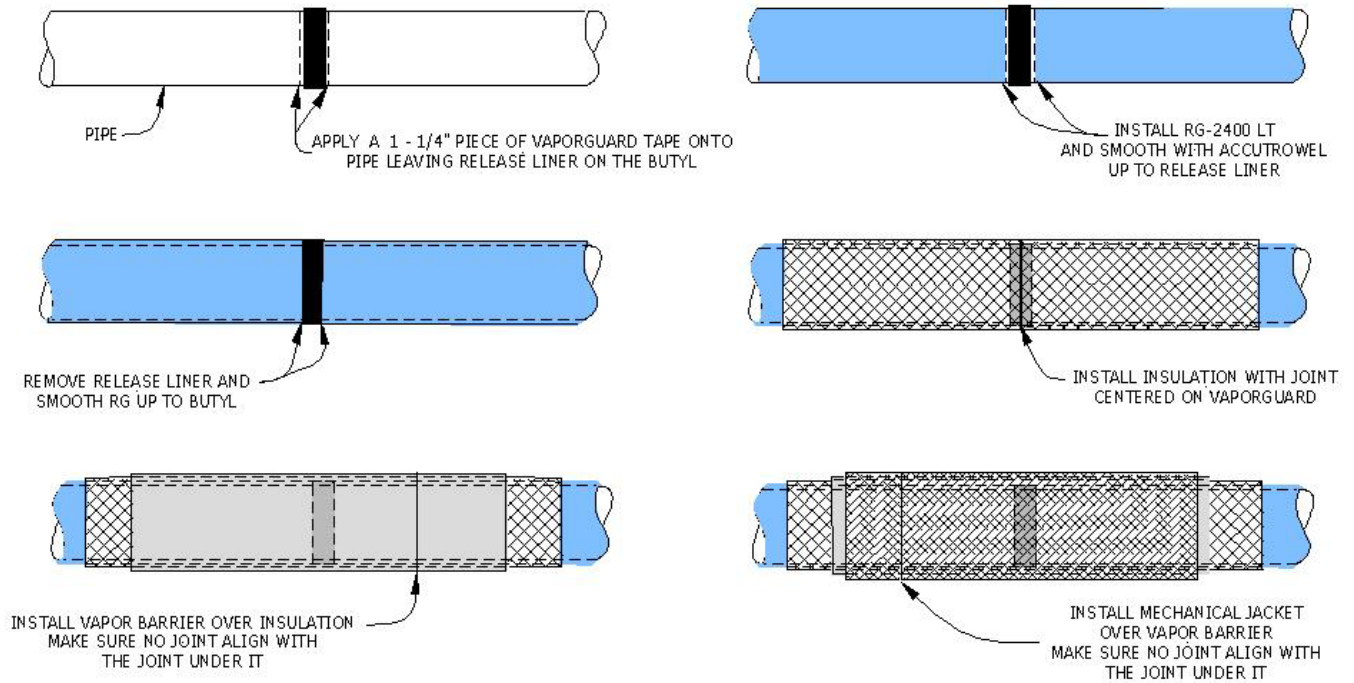
SAFETY INSTRUCTIONS

No special requirements are needed. Safety Data Sheets are supplied upon request.



TYPICAL PHYSICAL PROPERTIES and GENERAL INFORMATION	
PROPERTY	VALUE
RAW MATERIAL BASE	BUTYL RUBBER
CONE PENETRATION @ 77° F, 100G	7.6mm
COLOR	BLACK
THICKNESS 1.4" WIDE	20 MIL
THICKNESS 12" WIDE	40 MIL
SHELF LIFE	ONE YEAR
FORM & PACKAGING	TAPE ROLLS
PHYSICAL STATE	FLEXIBLE SOLID
ODOR	NEUTRAL
ADHESION TO STEEL	87 oz. per inch
TENSILE STRENGTH	9 lbs/in
SERVICE TEMP (MAX)	200°F

VaporGuard™ Vapor Stop Detail



VaporGuard™ Ammonia System Termination Detail

