

BACKER ROD AND POLYGUARD DETAIL SEALANT PW APPLIED AND TOOLED IN JOINT

GYPSUM SHEATHING

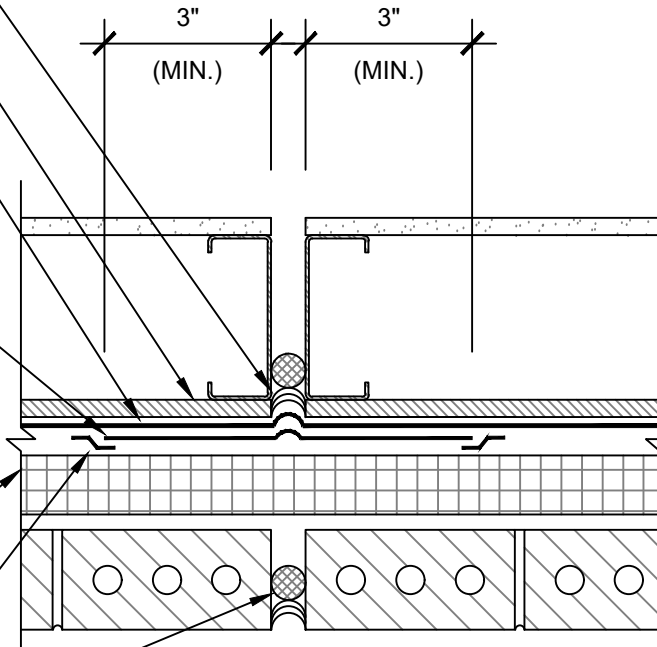
POLYGUARD NON-PERMEABLE AIRLOK SHEET 200 BU SERIES AIR BARRIER MEMBRANE APPLIED BEFORE (AS SHOWN) OR AFTER SELECTED FLASHING

POLYGUARD AIRLOK SHEET 200 BU / NP SERIES OR AIRLOK SHEET 400 NP SERIES APPLIED OVER POLYGUARD 650 LT LIQUID ADHESIVE OR CALIFORNIA SEALANT APPLIED AT A RATE OF 250 - 300 SF / GAL, OR OVER 650 WB LIQUID ADHESIVE APPLIED AT A RATE OF 350 - 400 SF / GAL. EXTEND SELECTED FLASHING MEMBRANE A MINIMUM 3" ONTO EACH SIDE OF JOINT. APPLY SELECTED FLASHING MATERIAL EITHER BEFORE OR AFTER (AS SHOWN) SELECTED POLYGUARD AIR BARRIER MEMBRANE.

RIGID INSULATION

COVER EXPOSED SHEET FLASHING MEMBRANE EDGES WITH POLYGUARD DETAIL SEALANT PW APPLIED AND TOOLED TO MINIMUM 25 MILS WET

BACKER ROD AND SEALANT (BY OTHERS)



11
ASBNP

PLAN @ FRAMED BACKING WALL / MASONRY VENEER - EXPANSION / CONTROL JOINT

Polyguard Products, Inc.
P.O. Box 755 - Ennis, TX 75120
Phone: 214-515-5000
Web Site - www.polyguard.com

©POLYGUARD PRODUCTS, INC.
MATERIAL SEPARATED FOR CLARITY

<p>The information provided is based on data and knowledge considered to be true and accurate and is offered for the users' consideration, investigation and verification, but we do not warrant the results to be obtained. Please read all data sheets, statements, recommendations or suggestions in conjunction with our conditions of sale, which apply to all goods supplied by us.</p>	NOT TO SCALE
	EFFECTIVE DATE: 05/10/2024
	SUPERCEDES: 10/01/2022