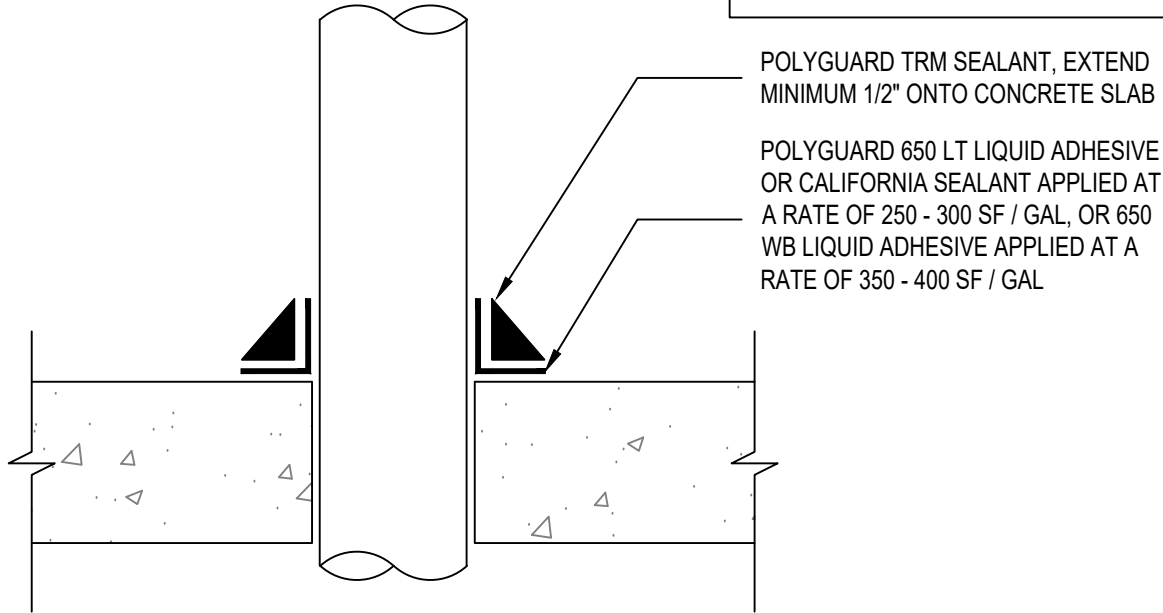


NOTE: POLYGUARD TRM SEALANT APPLIED TO ABOVE-SLAB PENETRATIONS IS RECOMMENDED TO BE APPLIED BY A LICENSED PEST MANAGEMENT PROFESSIONAL



AT4 SECTION @ TRM SEALANT - PENETRATION

| | |
|---|-------------------------------|
| <small>The information provided is based on data and knowledge considered to be true and accurate and is offered for the users' consideration, investigation and verification, but we do not warrant the results to be obtained. Please read all data sheets, statements, recommendations or suggestions in conjunction with our conditions of sale, which apply to all goods supplied by us.</small> | NOT TO SCALE |
| | EFFECTIVE DATE: 01/06/2025 |
| | SUPERCEDES: 03/15/2019 |