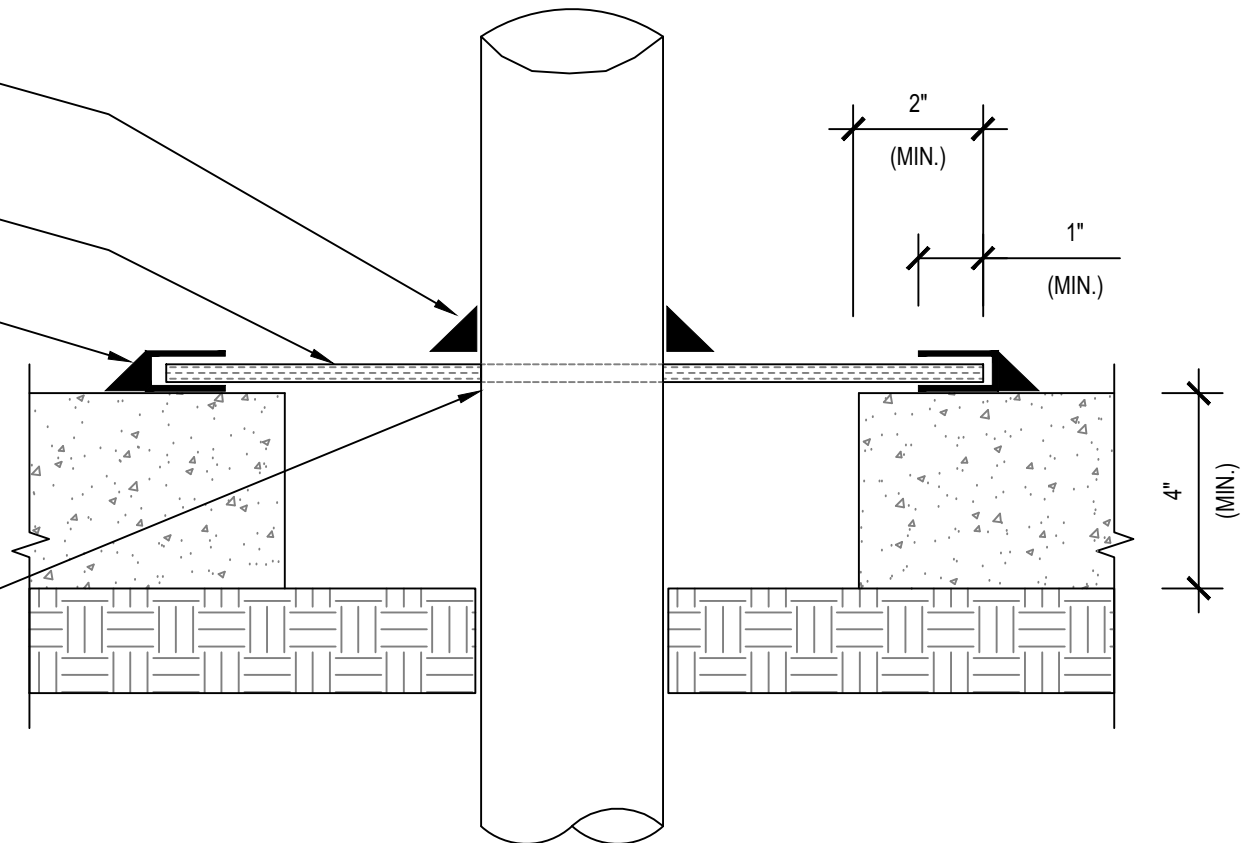


- 4) POLYGUARD TRM SEALANT APPLIED AROUND PENETRATION WITH ROUGHENED SURFACE, EXTEND ONTO FACE MINIMUM 3/4"
- 3) POLYGUARD TRM MICROMESH CUT TO FIT OVER PIPE PENETRATION, EXTEND MINIMUM 2" ONTO CONCRETE
- 2) POLYGUARD TRM SEALANT APPLIED MINIMUM 1" WIDTH BOTH BENEATH AND ON TOP OF TRM MICROMESH, TOOL SEALANT INTO TRM MICROMESH BEFORE APPLIED ON TOP
- 1) BATH TRAP PERIMETER CLEANED OF DIRT AND DEBRIS

NOTE: SEE ALSO DETAIL AT5 - BATH TRAP MICROMESH FABRICATION SUB-ASSEMBLY



AT8 SECTION @ TRM PARTICLE BARRIER - BATH TRAP OR MOP SINK

<small>The information provided is based on data and knowledge considered to be true and accurate and is offered for the users' consideration, investigation and verification, but we do not warrant the results to be obtained. Please read all data sheets, statements, recommendations or suggestions in conjunction with our conditions of sale, which apply to all goods supplied by us.</small>	NOT TO SCALE
	EFFECTIVE DATE: 01/06/2025
	SUPERCEDES: 05/25/2021