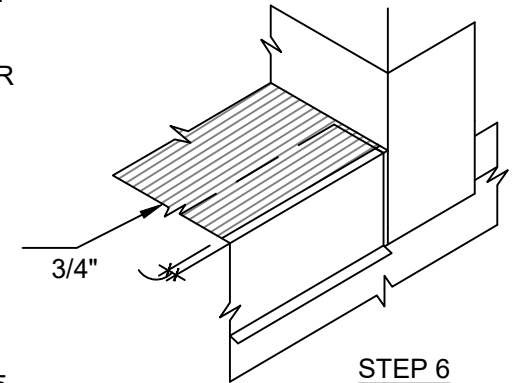


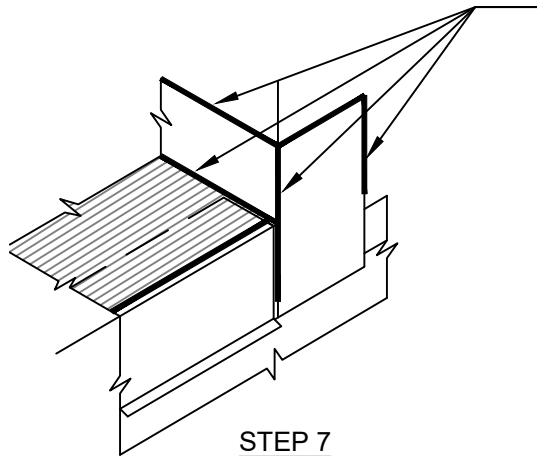
STEP 5

INSTALL DRIP EDGE ALONG BALCONY EDGE OVER MECHANICALLY ATTACHED SHEET AIR BARRIER FLASHING BY OTHERS ON HORIZONTAL LEG, HOLD DRIP EDGE 1/2" FROM CORNER AND ALLOW MINIMUM 2" EXPOSURE OF EXISTING MECHANICALLY ATTACHED SHEET FLASHING BY OTHERS FOR BALCONY FIELD MEMBRANE OVERLAP / TIE-IN IN NEXT STEP

POLYGUARD BALCONY SHEET MEMBRANE SERIES WATERPROOFING APPLIED TO SUBSTRATES PREPARED WITH POLYGUARD 650 LT LIQUID ADHESIVE OR POLYGUARD CALIFORNIA SEALANT AT A RATE OF 250 - 300 SF / GAL, OR POLYGUARD 650 WB LIQUID ADHESIVE AT A RATE OF 350 - 400 SF / GAL, HOLD MEMBRANE BACK 3/4" FROM BALCONY EDGE



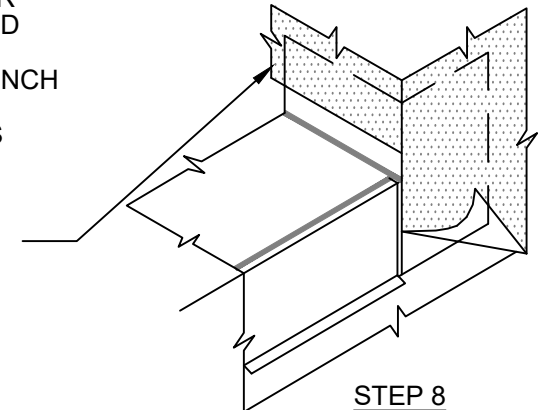
STEP 6



STEP 7

SEAL EXPOSED MEMBRANE EDGES OVER (1) POLYGUARD 105 FLASHING, (2) POLYGUARD DETAIL TAPE FLASHING, AND (3) POLYGUARD BALCONY SHEET MEMBRANE SERIES WATERPROOFING, WITH POLYGUARD DETAIL SEALANT PW OR POLYGUARD LM-95 TOoled TO MINIMUM 90 MILS THICK. HOLD BACK FROM ANY CONTACT WITH EXISTING MECHANICALLY ATTACHED SHEET AIR BARRIER BY OTHERS BY MINIMUM 1/2 INCH GAP, AND ALLOW POLYGUARD DETAIL SEALANT PW OR POLYGUARD LM-95 TO SET UP / CURE FOR MINIMUM 4 HOURS PRIOR TO STARTING NEXT STEP.

MECHANICALLY ATTACHED SHEET AIR BARRIER BY OTHERS OVER POLYGUARD BALCONY CORNER BOOT PER POLYGUARD SHEET AIR BARRIER MANUFACTURER INSTALLATION GUIDELINES



STEP 8

BW8

ISOMETRIC @ FIELD-FORMED CORNER FLASHING POLYGUARD STARTER STRIP STEPS 5 - 8

<small>The information provided is based on data and knowledge considered to be true and accurate and is offered for the users' consideration, investigation and verification, but we do not warrant the results to be obtained. Please read all data sheets, statements, recommendations or suggestions in conjunction with our conditions of sale, which apply to all goods supplied by us.</small>	NOT TO SCALE
	EFFECTIVE DATE: 07/15/2024
	SUPERCEDES: 10/01/2022