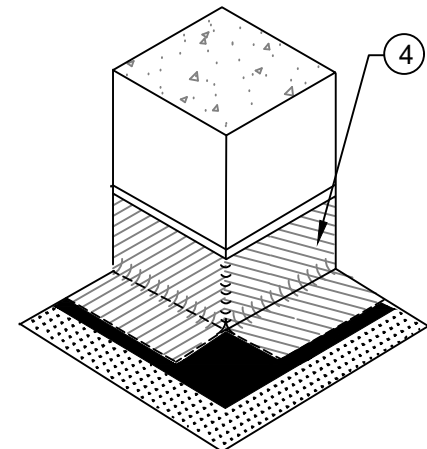


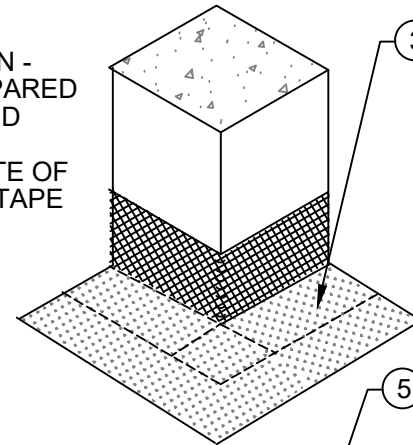
1 POLYGUARD CR SEAM TAPE APPLIED STICKY SIDE UP COMPLETELY AROUND COLUMN - APPLIED TO CONCRETE PREPARED WITH POLYGUARD 650 LT LIQUID ADHESIVE OR POLYGUARD CALIFORNIA SEALANT AT A RATE OF 250 - 300 SF/GAL - HOLD SEAM TAPE DOWN 1 1/2" FROM SPECIFIED HEIGHT OF POLYGUARD CRM MEMBRANE. REFER TO TERMINATION AT EXISTING CONCRETE DETAIL

2 PROPOSED POLYGUARD CRM MEMBRANE HEIGHT

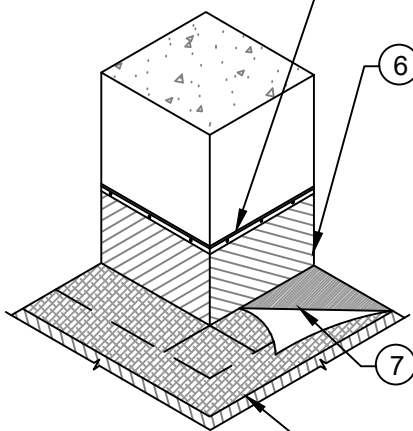
2 POLYGUARD CR OUTSIDE CORNER BOOT APPLIED OVER POLYGUARD CR SEAM TAPE - STICKY SIDE UP



4 REMOVE FILM FROM POLYGUARD CR SEAM TAPE AND ALIGN TOP EDGE OF POLYGUARD CRM MEMBRANE 'SKIRT' 1 1/2" ABOVE POLYGUARD CR SEAM TAPE EXTEND FIELD LEG OF THE 'SKIRT' 6" ONTO THE POLYGUARD CR MEMBRANE AND SEAL. REFER TO POLYGUARDENDLAP DETAIL

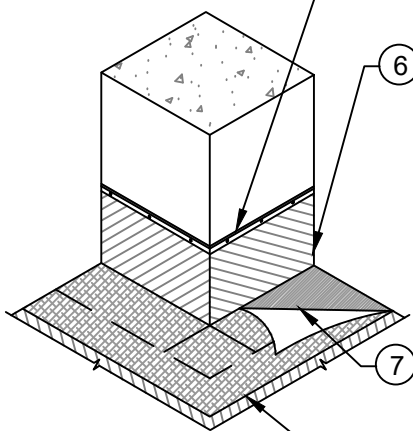


3 REMOVE FILM FROM CR SEAM TAPE ON THE HORIZONTAL AND PLACE UNDERSEAL CRM FITTING TIGHT AROUND COLUMN

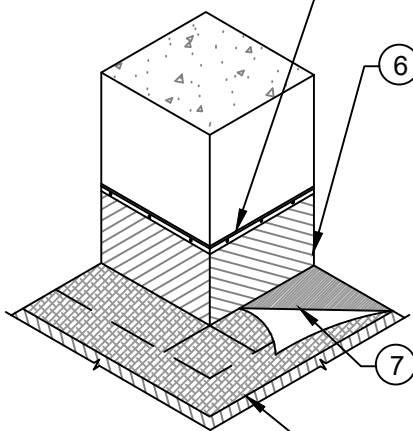


5 FOLD SKIRT BACK 1 1/2" AND APPLY A MINIMUM 90 MILS OF POLYGUARD CR LIQUID MEMBRANE APPLIED TO SUBSTRATE PREPARED WITH POLYGUARD CR SEALANT AT A RATE OF 175 - 200 SF/GAL TO CLEAN, DRY, AND FROST FREE CONCRETE.

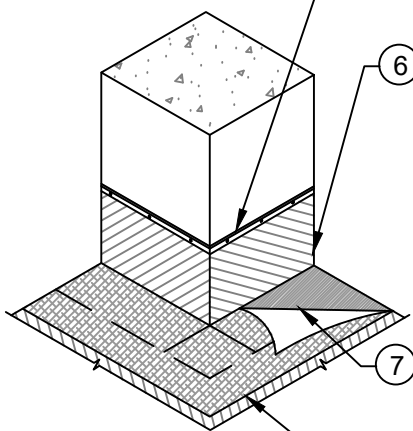
1/8" X 1" METAL TERMINATION STRIP ALIGNED ALONG THE TOP EDGE OF POLYGUARD CRM MEMBRANE 'SKIRT' - FASTENERS SPACED 2" INWARD FROM EACH CORNER AND NOT MORE THAN 8" BETWEEN ENDS. APPLY POLYGUARD CR LIQUID MEMBRANE TO TOP TERMINATION PREPARED WITH POLYGUARD CR SEALANT AT A RATE OF 175 - 200 SF/GAL AND EXTENDING 1" ONTO FABRIC OF POLYGUARD CRM MEMBRANE.



6 PREPARE AND CLEAN THE FABRIC 6" TO EACH SIDE OF THE 'SKIRT' EDGE. APPLY POLYGUARD 650 LT LIQUID ADHESIVE OR POLYGUARD CALIFORNIA SEALANT TO THE CLEANED AREA AT A RATE OF 50-75 SF / GAL.



7 COVER THE ADHESIVE OR SEALANT WITH POLYGUARD FABRIC TAPE. ROLL THE POLYGUARD FABRIC TAPE WITH A HAND-HELD, HARD-SURFACE ROLLER.



CRH16

SECTION @ CR OUTSIDE CORNER BOOT AT CORNER OR COLUMN

<small>The information provided is based on data and knowledge considered to be true and accurate and is offered for the users' consideration, investigation and verification, but we do not warrant the results to be obtained. Please read all data sheets, statements, recommendations or suggestions in conjunction with our conditions of sale, which apply to all goods supplied by us.</small>	NOT TO SCALE
	EFFECTIVE DATE: 10/01/2022
	SUPERCEDES: 02/04/2022