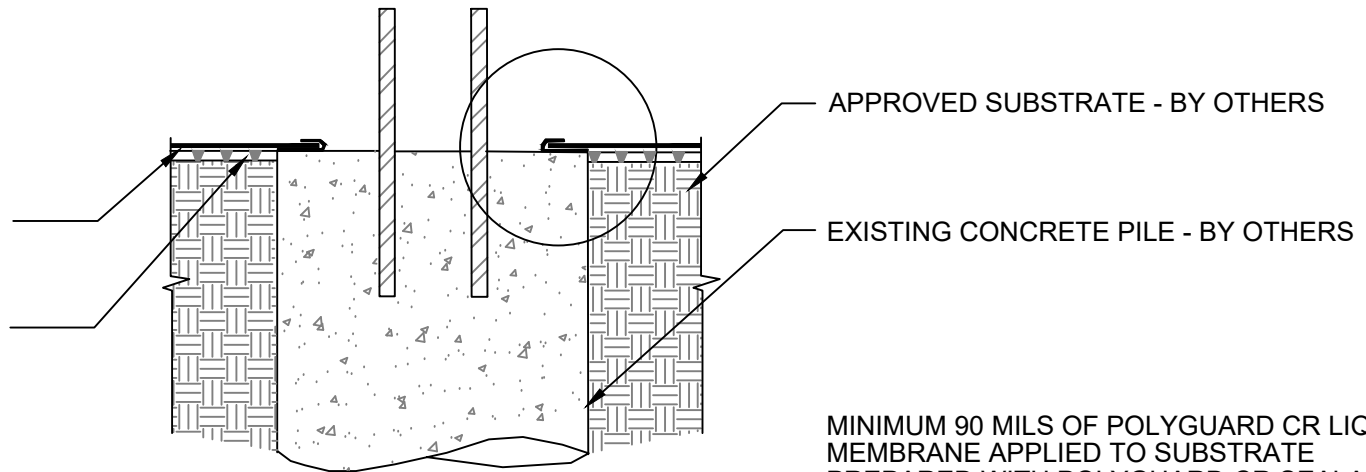
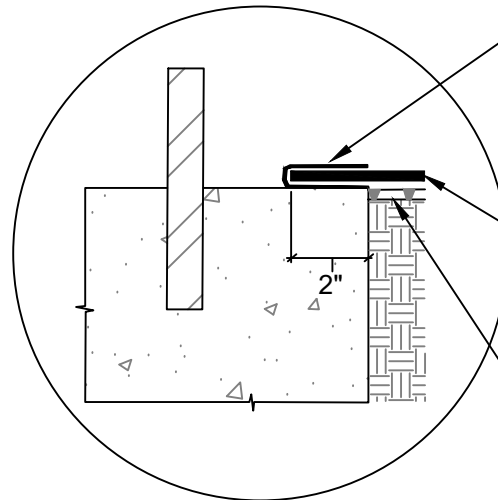


POLYGUARD CRM MEMBRANE
FABRIC TOWARD CONCRETE
POUR

POLYGUARD POLYFLOW 18
MOLDED SHEET DRAINAGE
FABRIC TOWARD SUBSTRATE



MINIMUM 90 MILS OF POLYGUARD CR LIQUID
MEMBRANE APPLIED TO SUBSTRATE
PREPARED WITH POLYGUARD CR SEALANT
AT A RATE OF 175 - 200 SF/GAL TO CLEAN
DRY AND FROST FREE CONCRETE AND
ENCAPSULATING THE EDGE AND ONTO A
MINIMUM OF 2" OF THE FABRIC OF THE
CLEAN, DRY POLYGUARD CRM MEMBRANE
PREPARE FABRIC WITH POLYGUARD CR
SEALANT AT A RATE OF 50 - 75 SF/GAL



POLYGUARD CRM MEMBRANE APPLIED
FABRIC TOWARD CONCRETE POUR WITH END
ONTO A MINIMUM OF 2" OF CONCRETE AND
WET POLYGUARD CR LIQUID MEMBRANE

POLYGUARD POLYFLOW 18 MOLDED SHEET
DRAINAGE FABRIC TOWARD SUBSTRATE

CRH4 SECTION @ PILE TERMINATION - PROFILE 2

Polyguard Products, Inc.
P.O. Box 755 - Ennis, TX 75120
Phone: 214-515-5000
Web Site - www.polyguard.com

©POLYGUARD PRODUCTS, INC.
MATERIAL SEPARATED FOR CLARITY

<small>The information provided is based on data and knowledge considered to be true and accurate and is offered for the users' consideration, investigation and verification, but we do not warrant the results to be obtained. Please read all data sheets, statements, recommendations or suggestions in conjunction with our conditions of sale, which apply to all goods supplied by us.</small>	NOT TO SCALE
	EFFECTIVE DATE: 07/15/2024
	SUPERCEDES: 10/01/2022