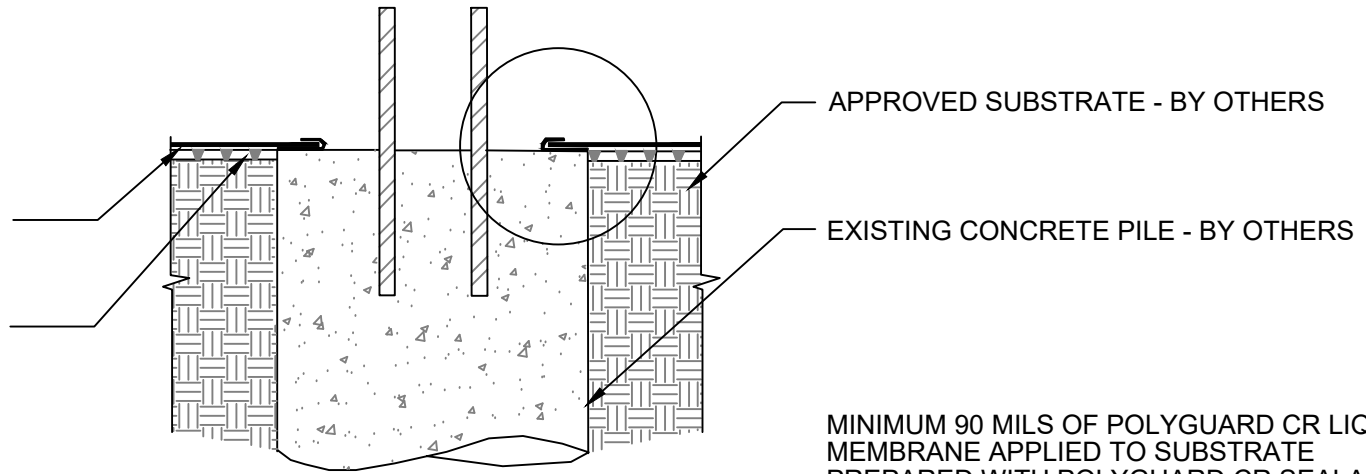
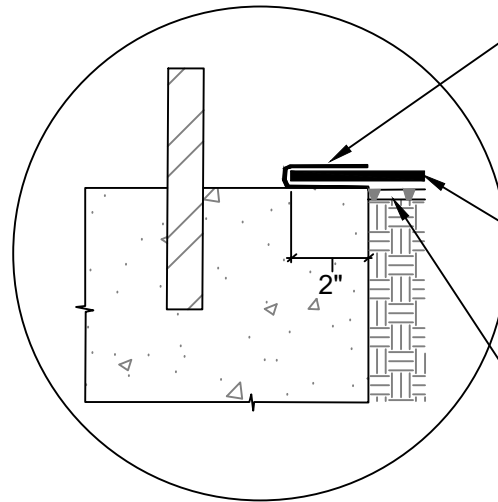


POLYGUARD CRM MEMBRANE  
FABRIC TOWARD CONCRETE  
POUR

POLYGUARD POLYFLOW 18  
MOLDED SHEET DRAINAGE  
FABRIC TOWARD SUBSTRATE



MINIMUM 90 MILS OF POLYGUARD CR LIQUID  
MEMBRANE APPLIED TO SUBSTRATE  
PREPARED WITH POLYGUARD CR SEALANT  
AT A RATE OF 175 - 200 SF/GAL TO CLEAN  
DRY AND FROST FREE CONCRETE AND  
ENCAPSULATING THE EDGE AND ONTO A  
MINIMUM OF 2" OF THE FABRIC OF THE  
CLEAN, DRY POLYGUARD CRM MEMBRANE  
PREPARE FABRIC WITH POLYGUARD CR  
SEALANT AT A RATE OF 50 - 75 SF/GAL



POLYGUARD CRM MEMBRANE APPLIED  
FABRIC TOWARD CONCRETE POUR WITH END  
ONTO A MINIMUM OF 2" OF CONCRETE AND  
WET POLYGUARD CR LIQUID MEMBRANE

POLYGUARD POLYFLOW 18 MOLDED SHEET  
DRAINAGE FABRIC TOWARD SUBSTRATE

**CRH4** SECTION @ PILE TERMINATION - PROFILE 2

Polyguard Products, Inc.  
P.O. Box 755 - Ennis, TX 75120  
Phone: 214-515-5000  
Web Site - www.polyguard.com

©POLYGUARD PRODUCTS, INC.  
MATERIAL SEPARATED FOR CLARITY

<small>The information provided is based on data and knowledge considered to be true and accurate and is offered for the users' consideration, investigation and verification, but we do not warrant the results to be obtained. Please read all data sheets, statements, recommendations or suggestions in conjunction with our conditions of sale, which apply to all goods supplied by us.</small>	NOT TO SCALE
	EFFECTIVE DATE: 10/01/2022
	SUPERCEDES: 02/04/2022