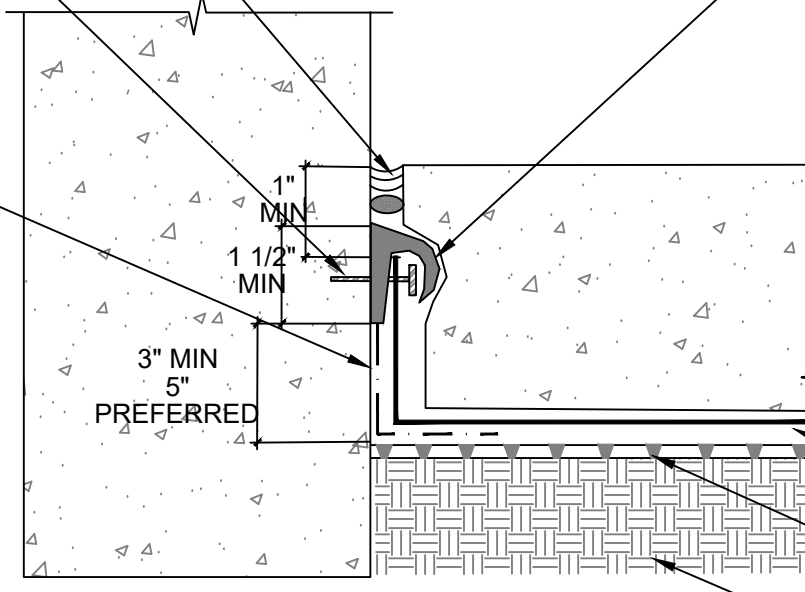


BACKER ROD AND
SEALANT - BY
OTHERS

TERMINATION BAR
AND FASTENERS - BY
OTHERS

STRIP OF POLYGUARD CR
SEAM TAPE APPLIED OVER
POLYGUARD 650 LT LIQUID
ADHESIVE OR POLYGUARD
CALIFORNIA SEALANT AT A
RATE OF 250-300 SF/GAL -
APPLY WITH ADHESIVE
SIDE FACING OUT FOR
ADHESION OF POLYGUARD
CRM MEMBRANE - LOW
RISE ADHESIVE - BY
OTHERS CAN BE
SUBSTITUTED FOR
ADHESIVE/ SEALANT ON
THE FILM SIDE



MINIMUM 90 MILS OF POLYGUARD CR
LIQUID MEMBRANE APPLIED TO
SUBSTRATE PREPARED WITH
POLYGUARD CR SEALANT AT A RATE
OF 175 - 200 SF/GAL TO CLEAN, DRY,
AND FROST FREE CONCRETE
MINIMUM OF 1 1/2" OVER TOP OF
TERMINATION BAR AND FASTENERS -
BY OTHERS AND ONTO POLYGUARD
CRM MEMBRANE A MINIMUM OF 1" -
PREPARE FABRIC OF POLYGUARD
CRM MEMBRANE WITH POLYGUARD
CR SEALANT AT A RATE OF 175 - 200
SF/GAL

CONCRETE POUR - BY OTHERS

POLYGUARD CRM MEMBRANE WITH
FABRIC TOWARD CONCRETE POUR

POLYGUARD POLYFLOW 18 MOLDED
SHEET DRAINAGE FABRIC TOWARD
SUBSTRATE

APPROVED SUBSTRATE - BY
OTHERS

CRH5

SECTION @ TERMINATION TO EXISTING CONCRETE WALL

Polyguard Products, Inc.
P.O. Box 755 - Ennis, TX 75120
Phone: 214-515-5000
Web Site - www.polyguard.com

©POLYGUARD PRODUCTS, INC.
MATERIAL SEPARATED FOR CLARITY

<p>The information provided is based on data and knowledge considered to be true and accurate and is offered for the users' consideration, investigation and verification, but we do not warrant the results to be obtained. Please read all data sheets, statements, recommendations or suggestions in conjunction with our conditions of sale, which apply to all goods supplied by us.</p>	NOT TO SCALE
	EFFECTIVE DATE: 10/01/2022
	SUPERCEDES: 02/04/2022