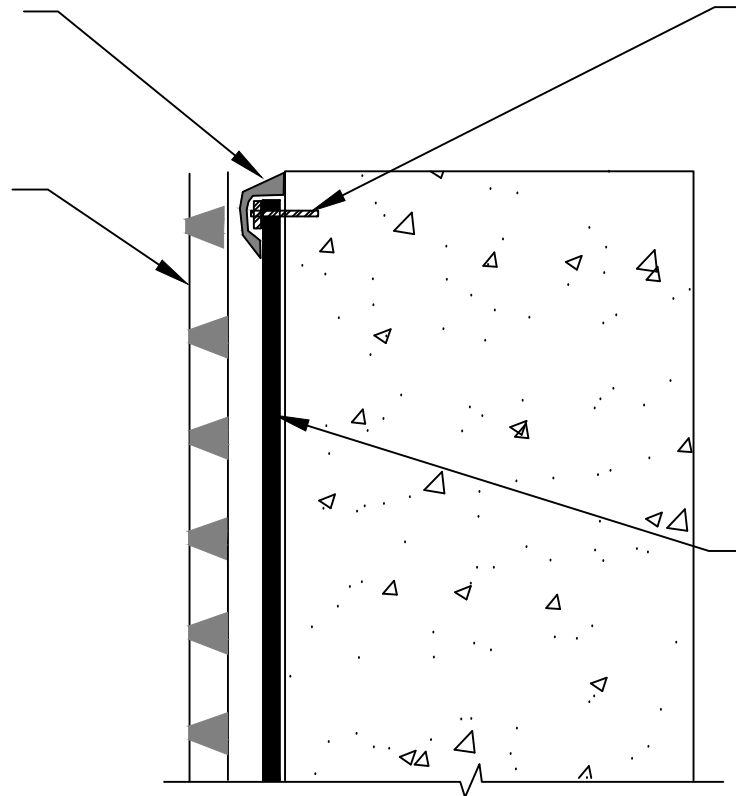


POLYGUARD CR LIQUID MEMBRANE APPLIED OVER TERMINATION BAR AND ONTO POLYGUARD ULTRA CRM MEMBRANE A MINIMUM OF 1/2" - PREPARED WITH POLYGUARD CR SEALANT AT A RATE OF 175 - 200 SF/GAL

POLYGUARD POLYFLOW 15 MOLDED SHEET DRAIN - FABRIC FACING BACKFILL

1/8" X 1" METAL TERMINATION BAR FASTENED AT 8" SPACING AND 2" FROM EACH END - BY OTHERS



POLYGUARD ULTRA CRM MEMBRANE APPLIED TO SUBSTRATE PREPARED WITH POLYGUARD 650 LT LIQUID ADHESIVE OR POLYGUARD CALIFORNIA SEALANT AT A RATE OF 250 TO 300 SF/GAL

CRU5

SECTION @ TOP OF WALL TERMINATION

Polyguard Products, Inc.
P.O. Box 755 - Ennis, TX 75120
Phone: 214-515-5000
Web Site - www.polyguard.com

©POLYGUARD PRODUCTS, INC.
MATERIAL SEPARATED FOR CLARITY

<small>The information provided is based on data and knowledge considered to be true and accurate and is offered for the users' consideration, investigation and verification, but we do not warrant the results to be obtained. Please read all data sheets, statements, recommendations or suggestions in conjunction with our conditions of sale, which apply to all goods supplied by us.</small>	NOT TO SCALE
	EFFECTIVE DATE: 07/15/2024
	SUPERCEDES: 10/01/2022