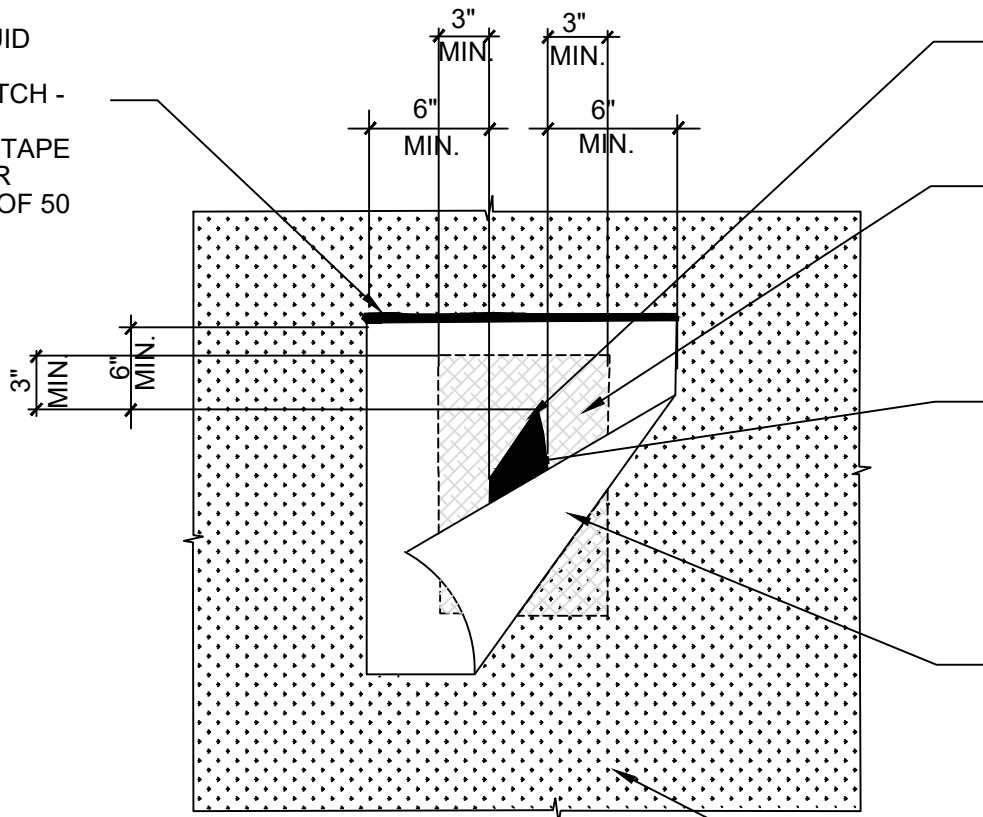


APPLY A BEAD OF POLYGUARD CR LIQUID MEMBRANE TO TOP TERMINATION OF PATCH - PREPARE FABRIC OF POLYGUARD FABRIC TAPE WITH POLYGUARD CR SEALANT AT A RATE OF 50 -75 SF/GAL



REPAIR AREA GREATER THAN 2"

OPEN HOLE AND APPLY PIECE OF POLYGUARD CR SEAM TAPE TO FILM SIDE OF POLYGUARD CRM MEMBRANE A MINIMUM 3" LARGER IN ALL DIRECTIONS OF AREA TO REPAIR

APPLY 60 MILS OF POLYGUARD CR LIQUID MEMBRANE OVER POLYGUARD CR SEAM TAPE AND 3" PAST OUTER EDGE OF HOLE ONTO FABRIC OF POLYGUARD CRM MEMBRANE PREPARED WITH POLYGUARD CR SEALANT AT A RATE OF 50 - 75 SF/GAL

APPLY A PIECE OF POLYGUARD FABRIC TAPE 6" LARGER IN ALL DIRECTION AND CENTERED OVER EXISTING POLYGUARD CR LIQUID MEMBRANE AND FABRIC OF POLYGUARD CRM MEMBRANE PREPARED WITH POLYGUARD CR SEALANT AT A RATE OF 50 - 75 SF/GAL

EXISTING POLYGUARD CRM MEMBRANE FABRIC TOWARD CONCRETE POUR

CRV10 OVERVIEW @ REPAIR PATCH GREATER THAN 2"

Polyguard Products, Inc.
P.O. Box 755 - Ennis, TX 75120
Phone: 214-515-5000
Web Site - www.polyguard.com

©POLYGUARD PRODUCTS, INC.
MATERIAL SEPARATED FOR CLARITY

<small>The information provided is based on data and knowledge considered to be true and accurate and is offered for the users' consideration, investigation and verification, but we do not warrant the results to be obtained. Please read all data sheets, statements, recommendations or suggestions in conjunction with our conditions of sale, which apply to all goods supplied by us.</small>	NOT TO SCALE
	EFFECTIVE DATE: 10/01/2022
	SUPERCEDES: 05/19/2016