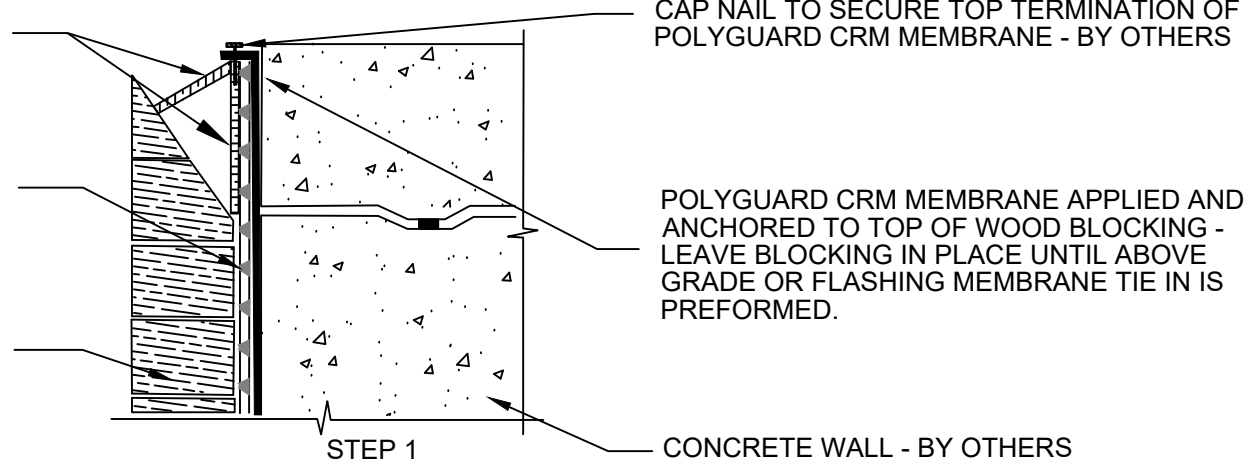


**NOTE: CRITICAL DETAIL - WARRANTY INVOLVED**

2" X 8" OR 2" X 10" WITH KICKER - BY OTHERS

POLYGUARD POLYFLOW 15 MOLDED SHEET DRAIN FABRIC TOWARD RETENTION SYSTEM

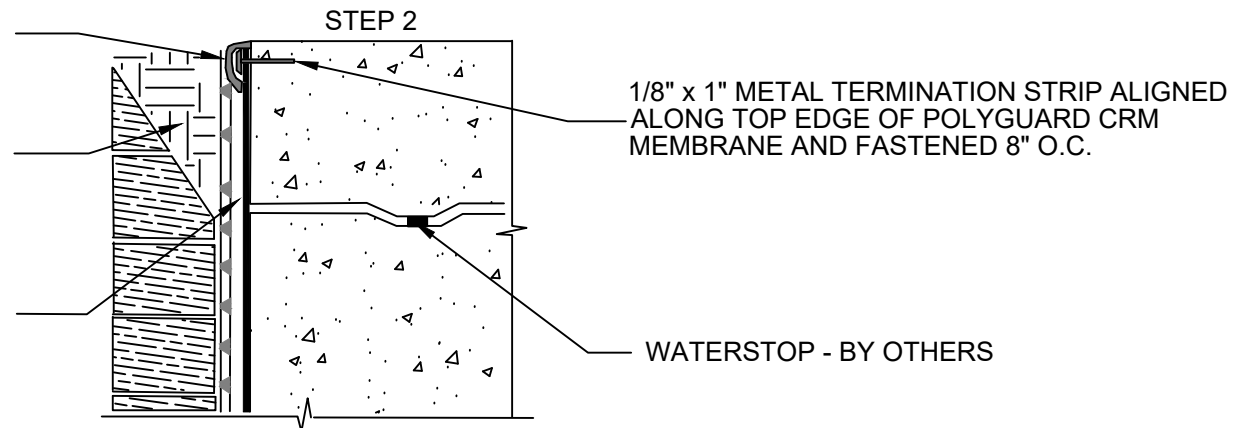
APPROVED RETENTION SYSTEM - BY OTHERS - WOOD LAGGING SHOWN



MINIMUM 90 MILS OF POLYGUARD CR LIQUID MEMBRANE APPLIED OVER POLYGUARD CR SEALANT AT A RATE OF 50 - 75 SF/GAL TO EACH SIDE OF TERMINAL EDGE

BACKFILL - BY OTHERS

REMOVE WOOD BLOCKING PRIOR TO DETAILING TERMINATION OF POLYGUARD CRM MEMBRANE AND BACKFILLING



**CRV16** SECTION @ TOP OF WALL TERMINATION MECHANICALLY FASTENED

Polyguard Products, Inc.  
P.O. Box 755 - Ennis, TX 75120  
Phone: 214-515-5000  
Web Site - www.polyguard.com

©POLYGUARD PRODUCTS, INC.  
MATERIAL SEPARATED FOR CLARITY

<small>The information provided is based on data and knowledge considered to be true and accurate and is offered for the users' consideration, investigation and verification, but we do not warrant the results to be obtained. Please read all data sheets, statements, recommendations or suggestions in conjunction with our conditions of sale, which apply to all goods supplied by us.</small>	NOT TO SCALE
	EFFECTIVE DATE: 07/15/2024
	SUPERCEDES: 10/01/2022