

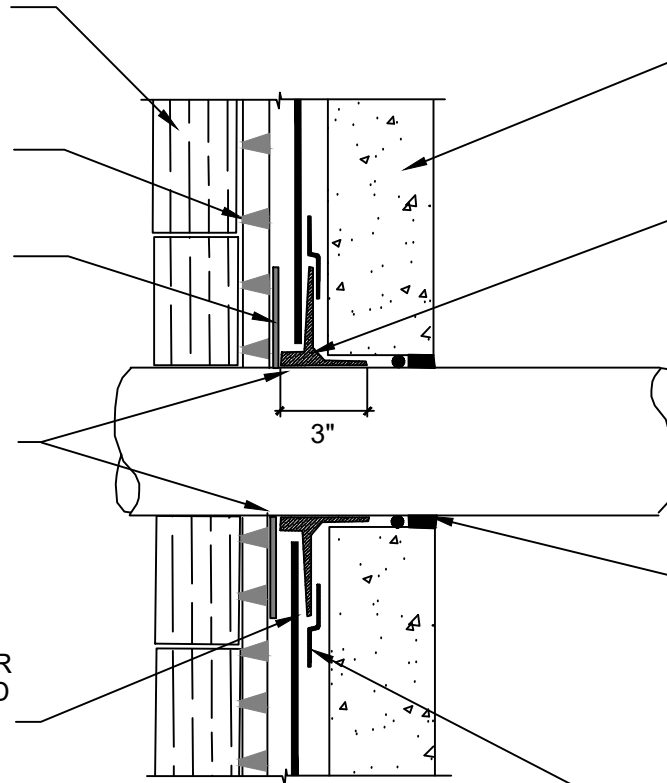
APPROVED SUBSTRATE - BY OTHERS

POLYGUARD POLYFLOW 15 MOLDED DRAIN FABRIC FACING RETENTION SYSTEM

POLYGUARD CR SEAM TAPE ADHESIVE SIDE TO FILM OF POLYGUARD CRM MEMBRANE

PENETRATION SIDEWALLS ABRADED AND PREPARED WITH POLYGUARD CR SEALANT AT A RATE OF 175 - 200 SF/GAL

POLYGUARD CRM MEMBRANE FABRIC TOWARD CONCRETE POUR AND EMBEDDED INTO POLYGUARD CR LIQUID MEMBRANE - PREPARE FABRIC WITH POLYGUARD CR SEALANT AT A RATE OF 50 - 75 SF/GAL



CONCRETE POUR - BY OTHERS

MINIMUM 90 MILS OF POLYGUARD CR LIQUID MEMBRANE APPLIED 3" ONTO PENETRATION AND POLYGUARD CRM MEMBRANE A MINIMUM 6" PREPARE FABRIC WITH POLYGUARD CR SEALANT APPLIED AT A RATE OF 50 - 75 SF/GAL

SEALANT AND BACKER ROD - BY OTHERS

POLYGUARD FABRIC TAPE APPLIED TO POLYGUARD CRM MEMBRANE AND POLYGUARD CR LIQUID MEMBRANE - PREPARE FABRIC WITH POLYGUARD CR SEALANT AT A RATE OF 50 - 75 SF/GAL PRIOR TO APPLICATION



OVERVIEW @ PENETRATION ROUGH FIT AROUND PENETRATION SIDEWALL

Polyguard Products, Inc.
P.O. Box 755 - Ennis, TX 75120
Phone: 214-515-5000
Web Site - www.polyguard.com

©POLYGUARD PRODUCTS, INC.
MATERIAL SEPARATED FOR CLARITY

<small>The information provided is based on data and knowledge considered to be true and accurate and is offered for the users' consideration, investigation and verification, but we do not warrant the results to be obtained. Please read all data sheets, statements, recommendations or suggestions in conjunction with our conditions of sale, which apply to all goods supplied by us.</small>	NOT TO SCALE
	EFFECTIVE DATE: 10/01/2022
	SUPERCEDES: 01/09/2017