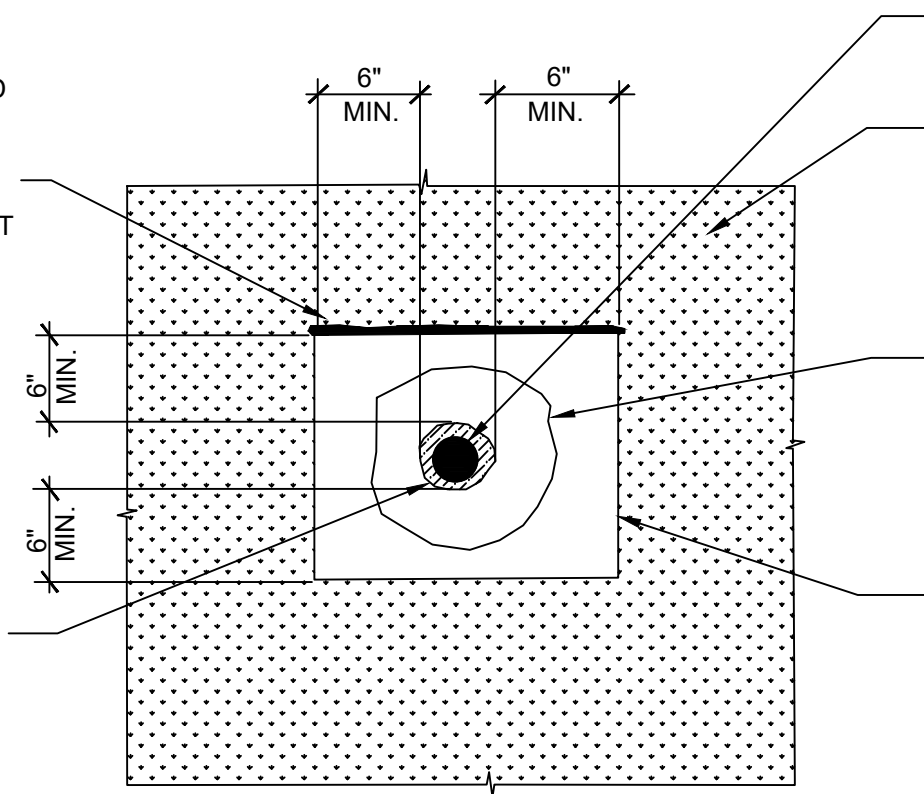


APPLY A BEAD OF POLYGUARD CR LIQUID MEMBRANE TO TOP TERMINATION OF PATCH - PREPARE FABRIC OF POLYGUARD FABRIC TAPE WITH POLYGUARD CR SEALANT AT A RATE OF 50 - 75 SF/GAL

SPREAD A 1" MINIMUM LAYER OF POLYGUARD CR LIQUID MEMBRANE TO THE BACKSIDE OF THE POLYGUARD CRM MEMBRANE AND INTO HOLE COMPLETELY FILLING HOLE - ENSURE THAT ALL MEMBRANE EDGES ARE COATED COMPLETELY



REPAIR AREA LESS THAN 2"

POLYGUARD CRM MEMBRANE FABRIC PREPARED WITH POLYGUARD CR SEALANT APPLIED TO A CLEANED AREA 6" BEYOND THE DAMAGE IN ALL DIRECTIONS AT A RATE OF 50 - 75 SF/GAL

APPLY 60 MILS OF POLYGUARD CR LIQUID MEMBRANE OVER POLYGUARD CR SEAM TAPE AND 3" PAST OUTER EDGE OF HOLE ONTO FABRIC OF POLYGUARD CRM MEMBRANE PREPARED WITH POLYGUARD CR SEALANT AT A RATE OF 50 - 75 SF/GAL

POLYGUARD FABRIC TAPE APPLIED OVER POLYGUARD CR LIQUID MEMBRANE AND FABRIC OF POLYGUARD CRM MEMBRANE PREPARED WITH POLYGUARD CR SEALANT AT A RATE OF 50 - 75 SF/GAL



OVERVIEW @ REPAIR PATCH LESS THAN 2"

<small>The information provided is based on data and knowledge considered to be true and accurate and is offered for the users' consideration, investigation and verification, but we do not warrant the results to be obtained. Please read all data sheets, statements, recommendations or suggestions in conjunction with our conditions of sale, which apply to all goods supplied by us.</small>	NOT TO SCALE
	EFFECTIVE DATE: 10/01/2022
	SUPERCEDES: 05/19/2016