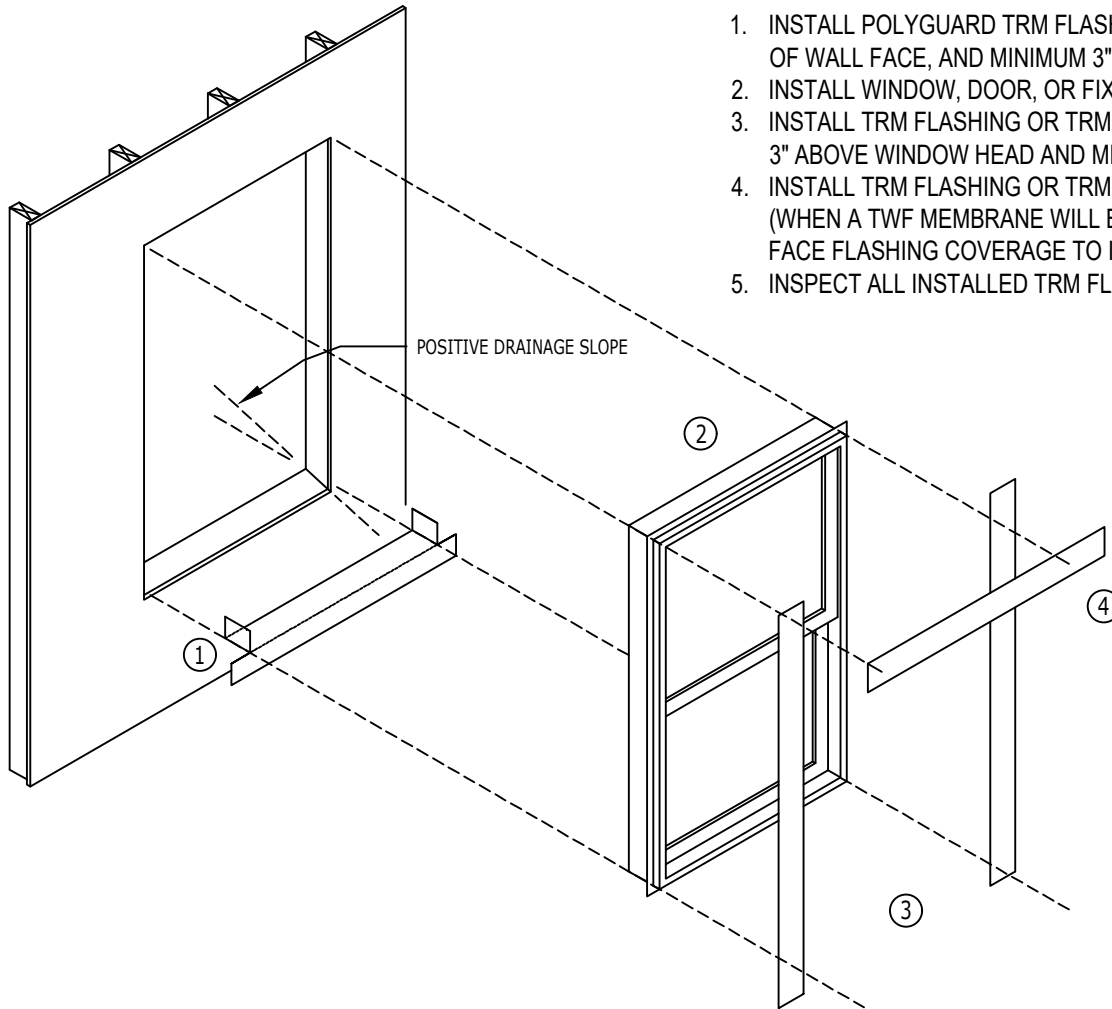


POLYGUARD TRM FLASHING TO A FLANGED WINDOW, DOOR, OR FIXTURE INSTALLATION SEQUENCE:

1. INSTALL POLYGUARD TRM FLASHING OR TRM UV2-40 TO COVER SLOPED SILL / THRESHOLD, MINIMUM 3" OF WALL FACE, AND MINIMUM 3" OF EACH JAMB; CHECK TO ENSURE NO GAPS OR PINHOLES.
2. INSTALL WINDOW, DOOR, OR FIXTURE.
3. INSTALL TRM FLASHING OR TRM UV2-40 TO COVER WINDOW JAMB FLANGE AND WALL, EXTEND MINIMUM 3" ABOVE WINDOW HEAD AND MINIMUM 3" BELOW WINDOW SILL / THRESHOLD.
4. INSTALL TRM FLASHING OR TRM UV2-40 TO COVER WALL FACE A MINIMUM 3" AT HEAD AND JAMBS. (WHEN A TWF MEMBRANE WILL BE INSTALLED AT HEAD FOR A MASONRY FINISH, EXTEND HEAD WALL FACE FLASHING COVERAGE TO INTERFACE WITH TWF MEMBRANE MINIMUM 2").
5. INSPECT ALL INSTALLED TRM FLASHING, ESPECIALLY AT CORNERS, TO ENSURE NO GAPS OR PINHOLES.



GENERAL NOTE: THIS ROUGH OPENING WALL IS SHOWN AS FRAME BUT COULD BE MASONRY; INSTALLATION SEQUENCE FOR POLYGUARD TRM FLASHING OR TRM UV2-40 ARE SAME FOR EITHER CONSTRUCTION MATERIAL. FREE SURFACES TO RECEIVE POLYGUARD TRM FLASHING FROM IRREGULARITIES THAT WOULD INTERFERE WITH A FLAT INTERFACE WITH FLASHING MEMBRANE, OR THEY POSE A FLASHING MEMBRANE PUNCTURE HAZARD. APPLY POLYGUARD 650 LT LIQUID ADHESIVE OR CALIFORNIA SEALANT OVER CLEAN AND DRY SURFACES TO RECEIVE POLYGUARD TRM FLASHING OR TRM UV2-40 AT A RATE OF 250 - 300 SF / GAL, OR OVER 650 WB LIQUID ADHESIVE APPLIED AT A RATE OF 350 - 400 SF / GAL; BASE LIQUID ADHESIVE SELECTION ON SUBSTRATE COMPATIBILITY AND VOC REQUIREMENTS.

FT5 ISOMETRIC @ TRM FLASHING - WINDOW FLASHING

GENERAL NOTE: IF ADHESIVE IS REQUIRED FOR SEAMS OR END LAPS, DO NOT USE POLYGUARD 650 WB LIQUID ADHESIVE.

MATERIAL SEPARATED FOR CLARITY
© POLYGUARD PRODUCTS, INC.

| | |
|---|-------------------------------|
| <small>The information provided is based on data and knowledge considered to be true and accurate and is offered for the users' consideration, investigation and verification, but we do not warrant the results to be obtained. Please read all data sheets, statements, recommendations or suggestions in conjunction with our conditions of sale, which apply to all goods supplied by us.</small> | NOT TO SCALE |
| | EFFECTIVE DATE: 01/06/2025 |
| | SUPERCEDES: 08/02/2024 |