

PENETRATION - BY OTHERS ABRAID THE SIDEWALLS

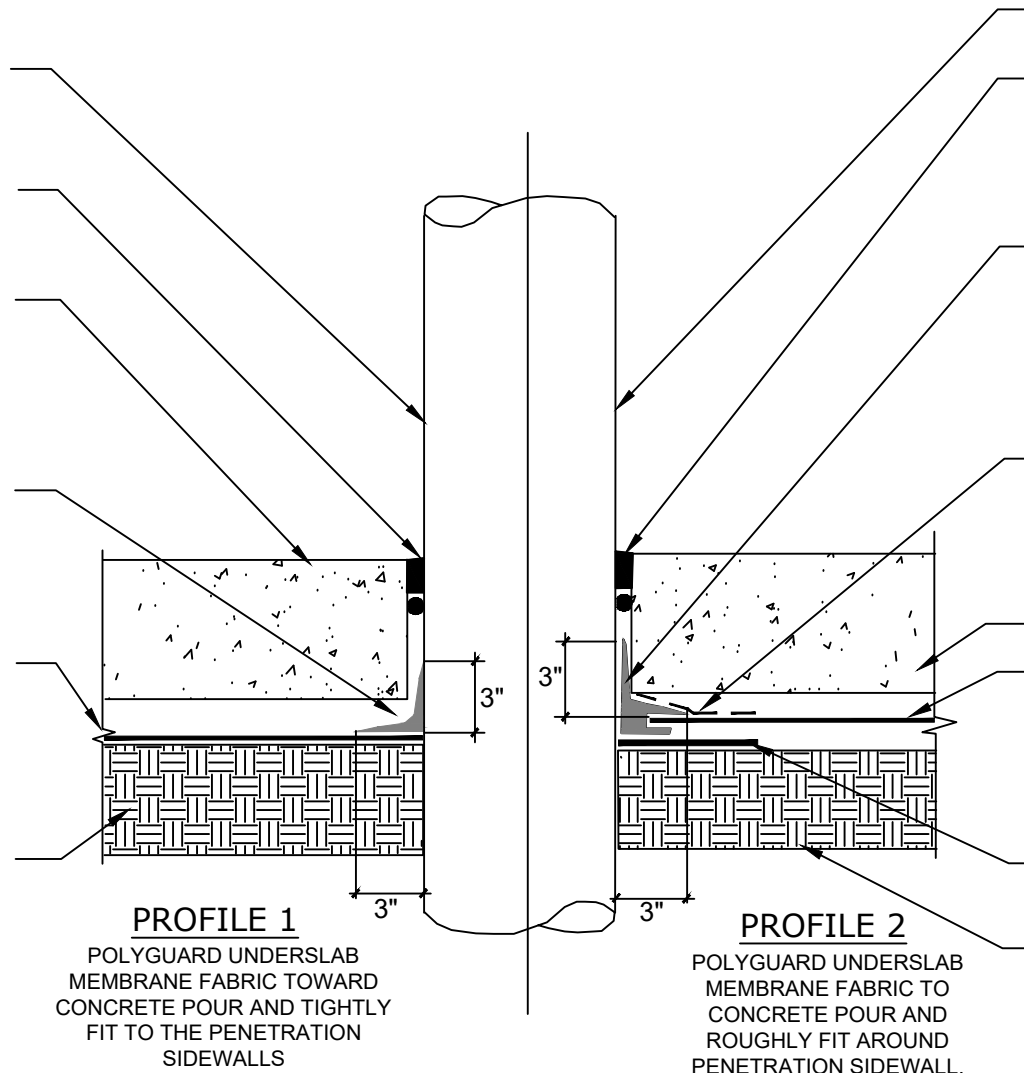
SEALANT AND BACKER ROD -BY OTHERS

CONCRETE - BY OTHERS

MINIMUM 90 MILS OF POLYGUARD LM-95 APPLIED TO SIDEWALLS AND FABRIC PREPARED WITH POLYGUARD 650 LT LIQUID ADHESIVE OR POLYGUARD CALIFORNIA SEALANT APPLIED AT A RATE OF 50-75 SF/GAL

POLYGUARD UNDERSLAB MEMBRANE FABRIC TOWARD CONCRETE POUR

APPROVED SUBSTRATE - BY OTHERS



PENETRATION - BY OTHERS ABRAID THE SIDEWALLS

SEALANT AND BACKER ROD BY OTHERS

MINIMUM 90 MILS OF POLYGUARD LM-95 APPLIED TO SIDEWALLS AND ENCAPSULATING THE EDGE OF THE POLYGUARD UNDERSLAB MEMBRANE MINIMUM OF 3" - PREPARE FABRIC WITH POLYGUARD 650 LT LIQUID ADHESIVE OR POLYGUARD CALIFORNIA SEALANT AT A RATE OF 50 - 75 SF/GAL
POLYGUARD FABRIC TAPE APPLIED TO POLYGUARD UNDERSLAB MEMBRANE PREPARED WITH POLYGUARD 650 LT LIQUID ADHESIVE OR POLYGUARD CALIFORNIA SEALANT AT A RATE OF 50 - 75 SF/GAL AND ONTO CURED POLYGUARD LM-95

CONCRETE POUR - BY OTHERS
POLYGUARD UNDERSLAB MEMBRANE FABRIC TOWARD CONCRETE POUR

POLYGUARD UNDERSLAB MEMBRANE PATCH TIGHTLY FIT AROUND PENETRATION SIDEWALLS PREPARE FABRIC WITH POLYGUARD 650 LT LIQUID ADHESIVE OR POLYGUARD CALIFORNIA SEALANT AT A RATE OF 50 - 75 SF/GAL

APPROVED SUBSTRATE - BY OTHERS

PROFILE 1

POLYGUARD UNDERSLAB MEMBRANE FABRIC TOWARD CONCRETE POUR AND TIGHTLY FIT TO THE PENETRATION SIDEWALLS

PROFILE 2

POLYGUARD UNDERSLAB MEMBRANE FABRIC TO CONCRETE POUR AND ROUGHLY FIT AROUND PENETRATION SIDEWALL.

US15

SECTION @ PENETRATION DETAIL OPTIONS

The information provided is based on data and knowledge considered to be true and accurate and is offered for the users' consideration, investigation and verification, but we do not warrant the results to be obtained. Please read all data sheets, statements, recommendations or suggestions in conjunction with our conditions of sale, which apply to all goods supplied by us.	NOT TO SCALE
	EFFECTIVE DATE: 07/15/2024
	SUPERCEDES: 10/01/2022