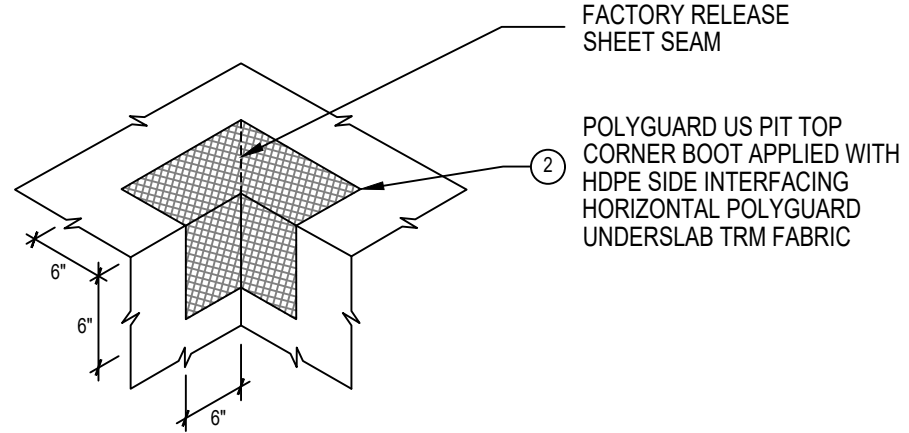


1 ROUGHLY FIT POLYGUARD
UNDERSLAB TRM AROUND
TOP OF PIT WALLS

PIT WALL SUBSTRATE
(POLYGUARD POLYFLOW
15, SLURRY WALL, ETC.)

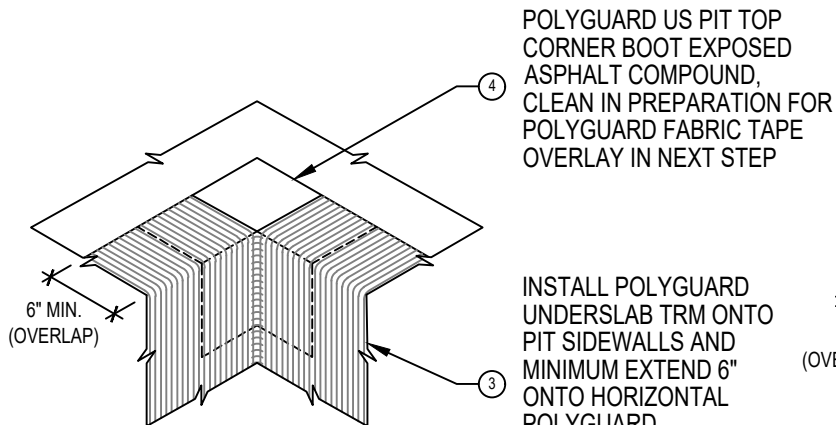
IMAGE 1



FACTORY RELEASE
SHEET SEAM

2 POLYGUARD US PIT TOP
CORNER BOOT APPLIED WITH
HDPE SIDE INTERFACING
HORIZONTAL POLYGUARD
UNDERSLAB TRM FABRIC

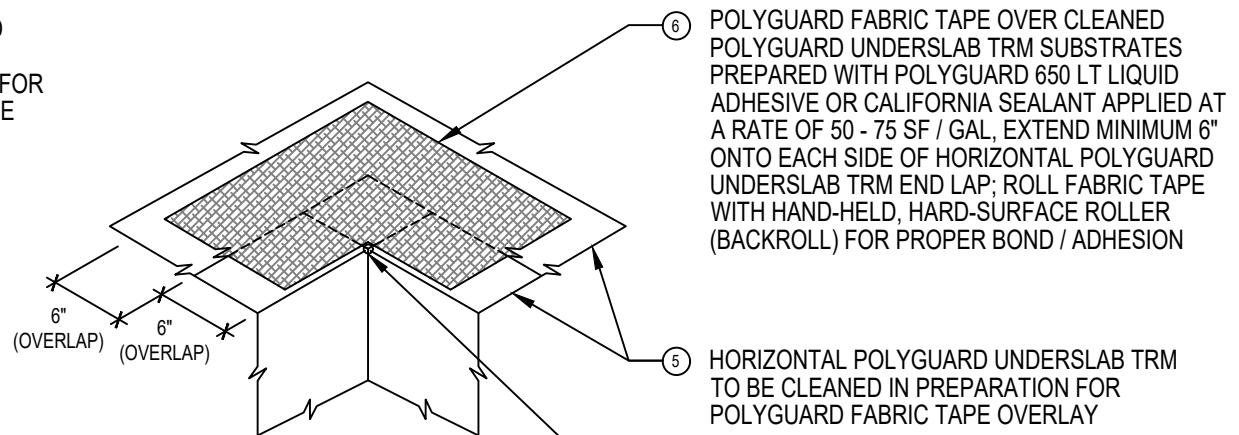
IMAGE 2



4 POLYGUARD US PIT TOP
CORNER BOOT EXPOSED
ASPHALT COMPOUND,
CLEAN IN PREPARATION FOR
POLYGUARD FABRIC TAPE
OVERLAY IN NEXT STEP

3 INSTALL POLYGUARD
UNDERSLAB TRM ONTO
PIT SIDEWALLS AND
MINIMUM EXTEND 6"
ONTO HORIZONTAL
POLYGUARD
UNDERSLAB TRM
AROUND TOP OF PIT

IMAGE 3



6 POLYGUARD FABRIC TAPE OVER CLEANED
POLYGUARD UNDERSLAB TRM SUBSTRATES
PREPARED WITH POLYGUARD 650 LT LIQUID
ADHESIVE OR CALIFORNIA SEALANT APPLIED AT
A RATE OF 50 - 75 SF / GAL, EXTEND MINIMUM 6"
ONTO EACH SIDE OF HORIZONTAL POLYGUARD
UNDERSLAB TRM END LAP; ROLL FABRIC TAPE
WITH HAND-HELD, HARD-SURFACE ROLLER
(BACKROLL) FOR PROPER BOND / ADHESION

5 HORIZONTAL POLYGUARD UNDERSLAB TRM
TO BE CLEANED IN PREPARATION FOR
POLYGUARD FABRIC TAPE OVERLAY

7 POLYGUARD LM-95 OR TRM SEALANT
APPLIED ONTO SURROUNDING FABRICS
AND TOOLED TO MINIMUM 90 MILS

IMAGE 4

UST21

ISOMETRIC @ UNDERSLAB TRM - PIT TOP CORNER (STEPS)