

IMAGE 1

**STEP 1:** PLACE OUTSIDE CORNER BOOT (REFER TO DETAIL 19) ONTO CONCRETE FORM ASPHALT SIDE OUT - KEEP CLEAN FOR ADHESION OF POLYGUARD UNDERSLAB TRM FIELD-APPLIED CORNER PIECES

**STEP 2:** PLACE FIRST LEG OF POLYGUARD UNDERSLAB TRM VERTICALLY ON FORM, OVER VERTICAL LEG OF CLEAN OUTSIDE CORNER BOOT EXPOSED ASPHALT, AND CUT VERTICALLY IN CORNER LAYING MINIMUM 12" HORIZONTAL FLAP AROUND CORNER ONTO CLEAN OUTSIDE CORNER BOOT EXPOSED ASPHALT

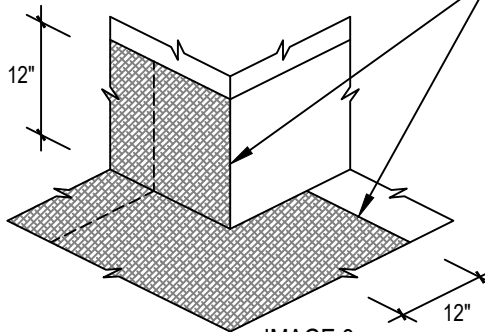


IMAGE 2

**STEP 3:** PLACE SECOND LEG OF POLYGUARD UNDERSLAB TRM VERTICALLY ON FORM, OVER VERTICAL LEG OF CLEAN OUTSIDE CORNER BOOT EXPOSED ASPHALT, AND CUT VERTICALLY IN CORNER LAYING MINIMUM 12" HORIZONTAL FLAP AROUND CORNER ONTO FIRST LEG OF UNDERSLAB TRM

**STEP 4:** APPLY POLYGUARD LM-95 OR TRM SEALANT APPLIED OVER VERTICAL CUTS AT CORNER AND TOOLED TO MINIMUM 90 MILS; EXTEND ONTO POLYGUARD UNDERSLAB TRM A MINIMUM 2" IN ALL DIRECTIONS OVER UNDERSLAB TRM FABRIC PREPARED WITH POLYGUARD 650 LT LIQUID ADHESIVE OR CALIFORNIA SEALANT APPLIED AT A RATE OF 50 - 75 SF / GAL

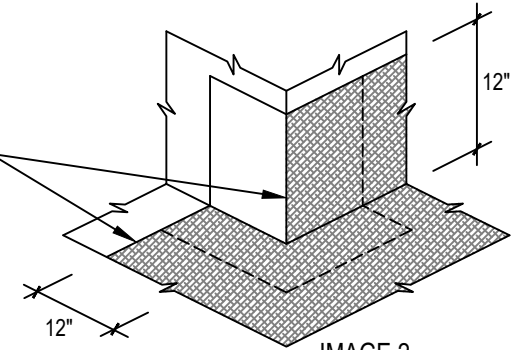


IMAGE 3

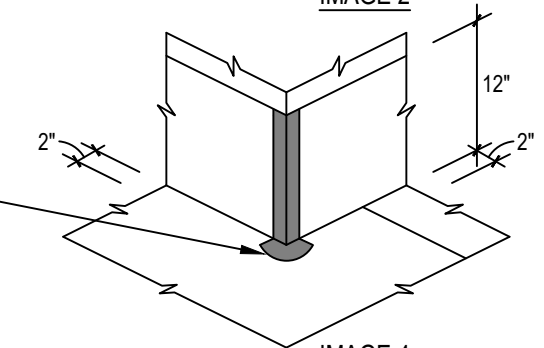


IMAGE 4

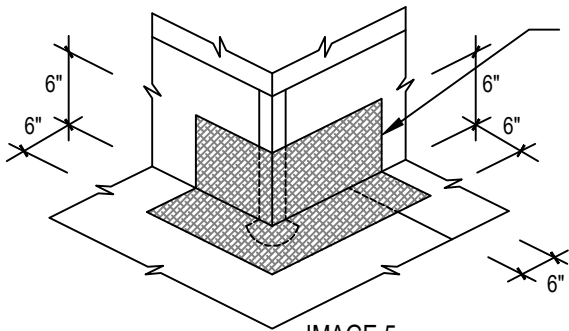


IMAGE 5

**STEP 5:** APPLY POLYGUARD FABRIC TAPE TO OUTSIDE CORNER AND OVER CURED POLYGUARD TRM SEALANT; EXTEND MINIMUM 6" BEYOND UNDERSLAB TRM CUT OF SECOND PIECE WITH FABRIC PREPARED WITH POLYGUARD 650 LT LIQUID ADHESIVE OR CALIFORNIA SEALANT APPLIED AT A RATE OF 50 - 75 SF / GAL

**UST23**

**ISOMETRIC @ UNDERSLAB TRM - OUTSIDE CORNER (FIELD CUT)**

The information provided is based on data and knowledge considered to be true and accurate and is offered for the users' consideration, investigation and verification, but we do not warrant the results to be obtained. Please read all data sheets, statements, recommendations or suggestions in conjunction with our conditions of sale, which apply to all goods supplied by us.	NOT TO SCALE
	EFFECTIVE DATE: 12/17/2024
	SUPERCEDES: 12/05/2024