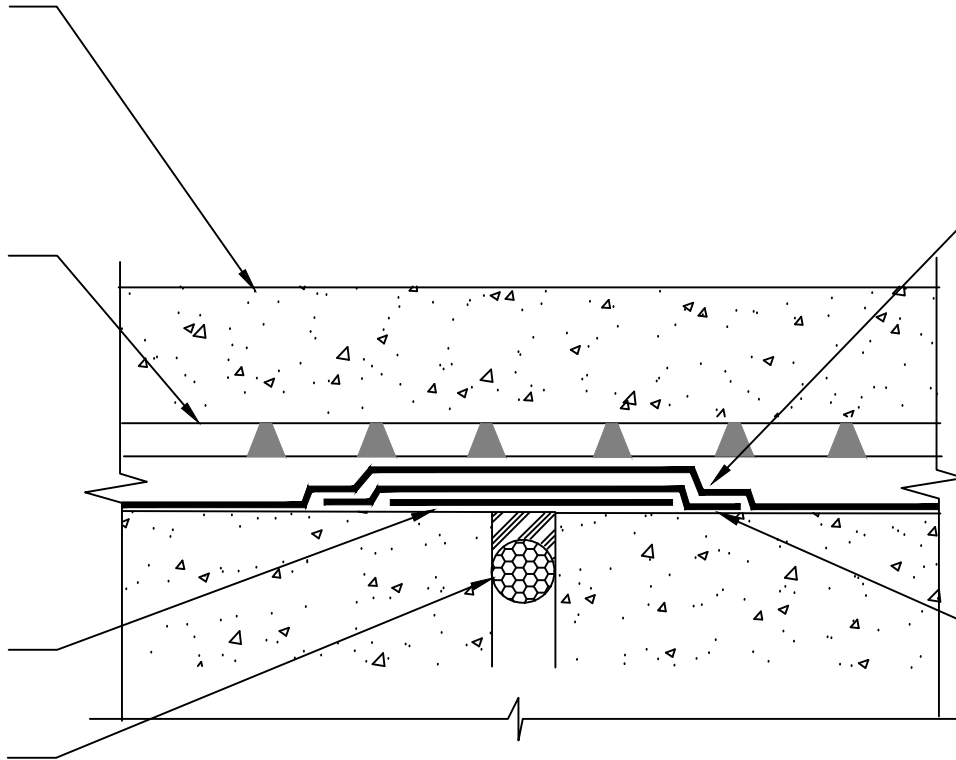


TOPPING SLAB, PAVERS OR  
THIN SET MORTAR TILE SYSTEM  
AND EXPANSION JOINT BY  
OTHERS

POLYGUARD POLYFLOW 18  
SHEET MOLDED DRAIN MESH  
FACING SHOULD FACE THE  
TOPPING SLAB OR PROTECTION  
BOARD

8" STRIP OF POLYGUARD  
DETAIL TAPE, 650 WRM OR,  
POLYGUARD MEMBRANE: 650,  
650 WRM CUT AND INVERTED  
AND CENTERED OVER JOINT  
(ADHESIVE SIDE UP)

BACKER ROD AND SEALANT  
BY OTHERS



FIELD COVERAGE OF  
POLYGUARD MEMBRANE:  
650, 650 PRM OR 650 WRM  
APPLIED TO SUBSTRATE  
PREPARED WITH  
POLYGUARD 650 LT LIQUID  
ADHESIVE OR POLYGUARD  
CALIFORNIA SEALANT AT A  
RATE OF 250 TO 300 SF/GAL  
OR POLYGUARD 650 WB  
LIQUID ADHESIVE AT A RATE  
OF 350 - 400 SF/GAL

12" STRIP OF POLYGUARD  
DETAIL TAPE OR DETAIL  
TAPE WRM OR POLYGUARD  
MEMBRANE: 650, 650 PRM  
OR 650 WRM CENTERED  
OVER 8 " INVERTED  
MEMBRANE AND APPLIED TO  
SUBSTRATE PREPARED  
WITH POLYGUARD 650 LT  
LIQUID ADHESIVE OR  
POLYGUARD CALIFORNIA  
SEALANT AT A RATE OF 250 -  
300 SF/GAL OR POLYGUARD  
650 WB LIQUID ADHESIVE AT  
A RATE OF 350 TO 400  
SF/GAL

WP6

SECTION@ HORIZONTAL EXPANSION JOINT COVER

Polyguard Products, Inc.  
P.O. Box 755 - Ennis, TX 75120  
Phone: 214-515-5000  
Web Site - www.polyguard.com

**SPECIAL NOTE: IF ADHESIVE IS REQUIRED FOR  
SEAMS OR ENDLAPS DO NOT USE POLYGUARD  
650 WB LIQUID ADHESIVE**

©POLYGUARD PRODUCTS, INC.  
MATERIAL SEPARATED FOR CLARITY

The information provided is based on data and knowledge considered to be true and accurate and is offered for the users' consideration, investigation and verification, but we do not warrant the results to be obtained. Please read all data sheets, statements, recommendations or suggestions in conjunction with our conditions of sale, which apply to all goods supplied by us.	NOT TO SCALE
	EFFECTIVE DATE: 12/16/2024
	SUPERCEDES: 07/15/2024