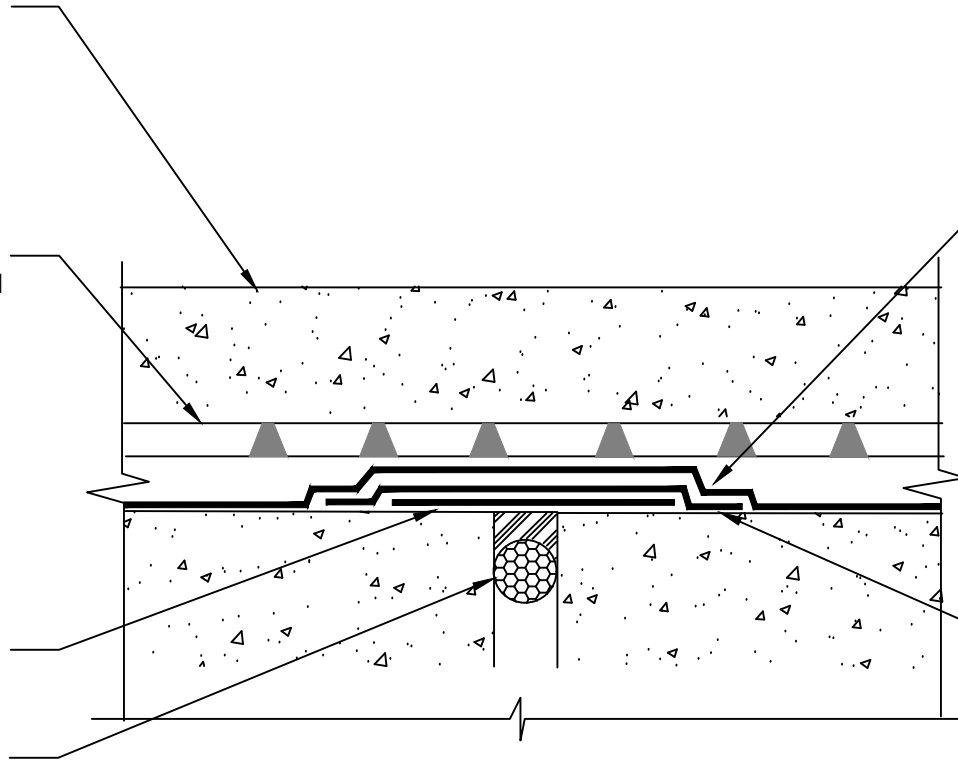


TOPPING SLAB, PAVERS OR
THIN SET MORTAR TILE SYSTEM
AND EXPANSION JOINT BY
OTHERS

POLYGUARD POLYFLOW 18
SHEET MOLDED DRAIN MESH
FACING SHOULD FACE THE
TOPPING SLAB OR PROTECTION
BOARD

8" STRIP OF POLYGUARD
DETAIL TAPE, POLYGUARD 650
MEMBRANE INVERTED AND
CENTERED OVER JOINT
(ADHESIVE SIDE UP)

BACKER ROD AND SEALANT
BY OTHERS



FIELD COVERAGE OF
POLYGUARD 650
MEMBRANE APPLIED TO
SUBSTRATE PREPARED
WITH POLYGUARD 650 LT
LIQUID ADHESIVE OR
POLYGUARD CALIFORNIA
SEALANT AT A RATE OF 250
TO 300 SF/GAL OR
POLYGUARD 650 WB LIQUID
ADHESIVE AT A RATE OF 350
- 400 SF/GAL

12" STRIP OF POLYGUARD
DETAIL TAPE, POLYGUARD
650 MEMBRANE CENTERED
OVER 8 " INVERTED
MEMBRANE AND APPLIED TO
SUBSTRATE PREPARED
WITH POLYGUARD 650 LT
LIQUID ADHESIVE OR
POLYGUARD CALIFORNIA
SEALANT AT A RATE OF 250 -
300 SF/GAL OR POLYGUARD
650 WB LIQUID ADHESIVE AT
A RATE OF 350 TO 400
SF/GAL

WP6

SECTION@ HORIZONTAL EXPANSION JOINT COVER

Polyguard Products, Inc.
P.O. Box 755 - Ennis, TX 75120
Phone: 214-515-5000
Web Site - www.polyguard.com

**SPECIAL NOTE: IF ADHESIVE IS REQUIRED FOR
SEAMS OR ENDLAPS DO NOT USE POLYGUARD
650 WB LIQUID ADHESIVE**

©POLYGUARD PRODUCTS, INC.
MATERIAL SEPARATED FOR CLARITY

<small>The information provided is based on data and knowledge considered to be true and accurate and is offered for the users' consideration, investigation and verification, but we do not warrant the results to be obtained. Please read all data sheets, statements, recommendations or suggestions in conjunction with our conditions of sale, which apply to all goods supplied by us.</small>	NOT TO SCALE
	EFFECTIVE DATE: 07/15/2024
	SUPERCEDES: 10/01/2022