

POLYGUARD 650 TRM EXISTING FIELD SHEET TO REMAIN

STEP #1: REPAIR DAMAGED AREAS, FISHMOUTHS, AND / OR BUBBLES LARGER THAN 4" IN DIAMETER; REMOVE ANY MATERIAL THAT DOES NOT ALLOW POLYGUARD 650 TRM PATCH TO BE FULLY ADHERED OR LAY FLAT

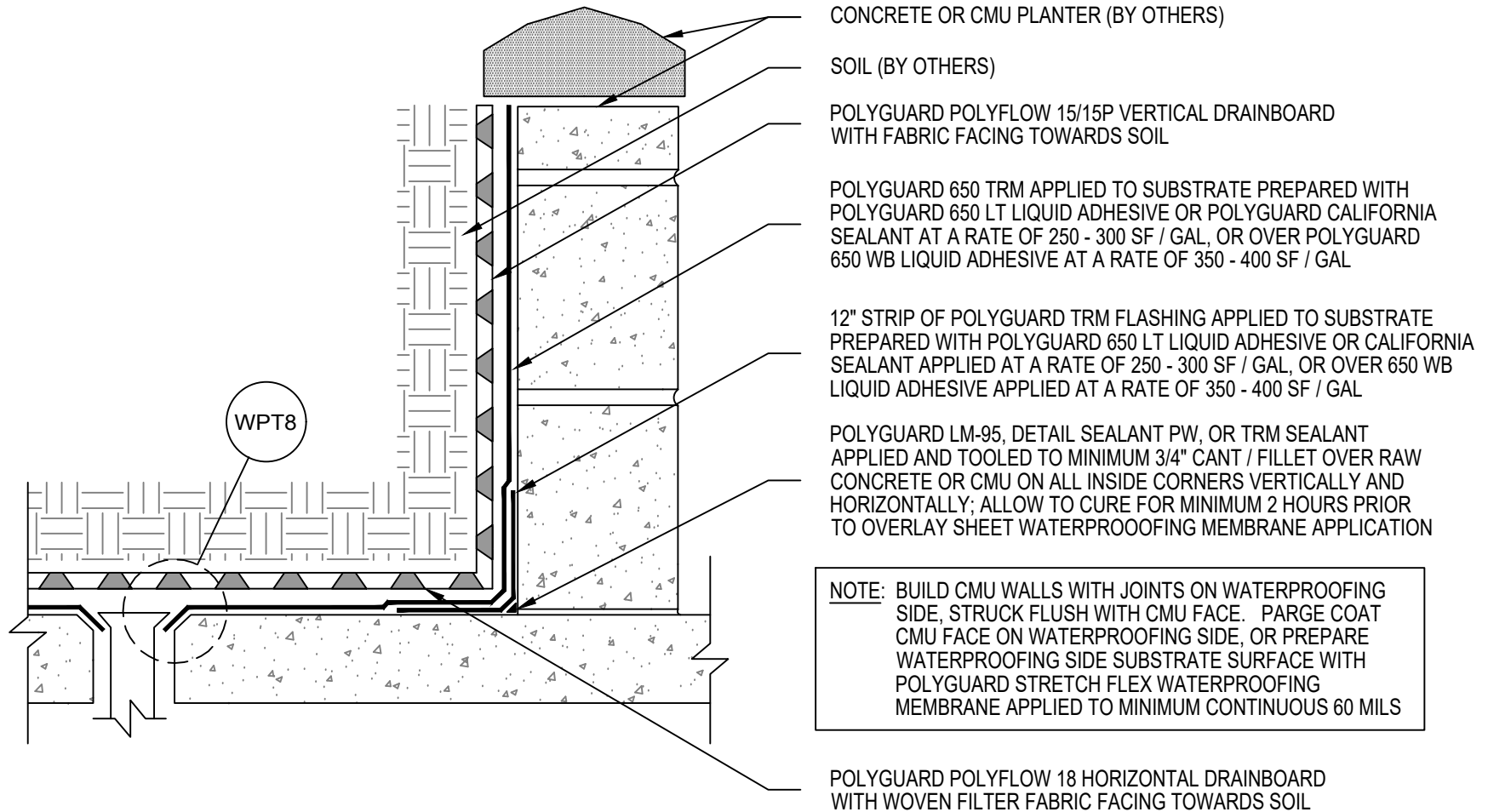
STEP #2: APPLY POLYGUARD 650 TRM 6" LARGER THAN DAMAGE IN ALL DIRECTIONS IN EXISTING MEMBRANE PREPARED WITH POLYGUARD 650 LT LIQUID ADHESIVE OR POLYGUARD CALIFORNIA SEALANT APPLIED AT A RATE OF 250 - 300 SF / GAL OR POLYGUARD 650 WB LIQUID ADHESIVE AT A RATE OF 350 - 400 SF / GAL

STEP #3: POLYGUARD LM-95, DETAIL SEALANT PW, OR TRM SEALANT APPLIED TO PATCH PERIMETER EDGES TO MINIMUM 30-MIL THICKNESS; EXTEND MINIMUM 1" TO EACH SIDE OF EDGE AS EDGE SEAL

WPT1 ELEVATION @ 650 TRM - SELF-ADHERED MEMBRANE REPAIR PATCH

GENERAL NOTE: IF ADHESIVE IS REQUIRED FOR SEAMS OR END LAPS, DO NOT USE POLYGUARD 650 WB LIQUID ADHESIVE.

<small>The information provided is based on data and knowledge considered to be true and accurate and is offered for the users' consideration, investigation and verification, but we do not warrant the results to be obtained. Please read all data sheets, statements, recommendations or suggestions in conjunction with our conditions of sale, which apply to all goods supplied by us.</small>	NOT TO SCALE
	EFFECTIVE DATE: 12/17/2024
	SUPERCEDES: 12/10/2024



WPT2 SECTION @ 650 TRM - POURED CONCRETE OR CMU PLANTER

GENERAL NOTE: IF ADHESIVE IS REQUIRED FOR SEAMS OR END LAPS, DO NOT USE POLYGUARD 650 WB LIQUID ADHESIVE.

MATERIAL SEPARATED FOR CLARITY
© POLYGUARD PRODUCTS, INC.

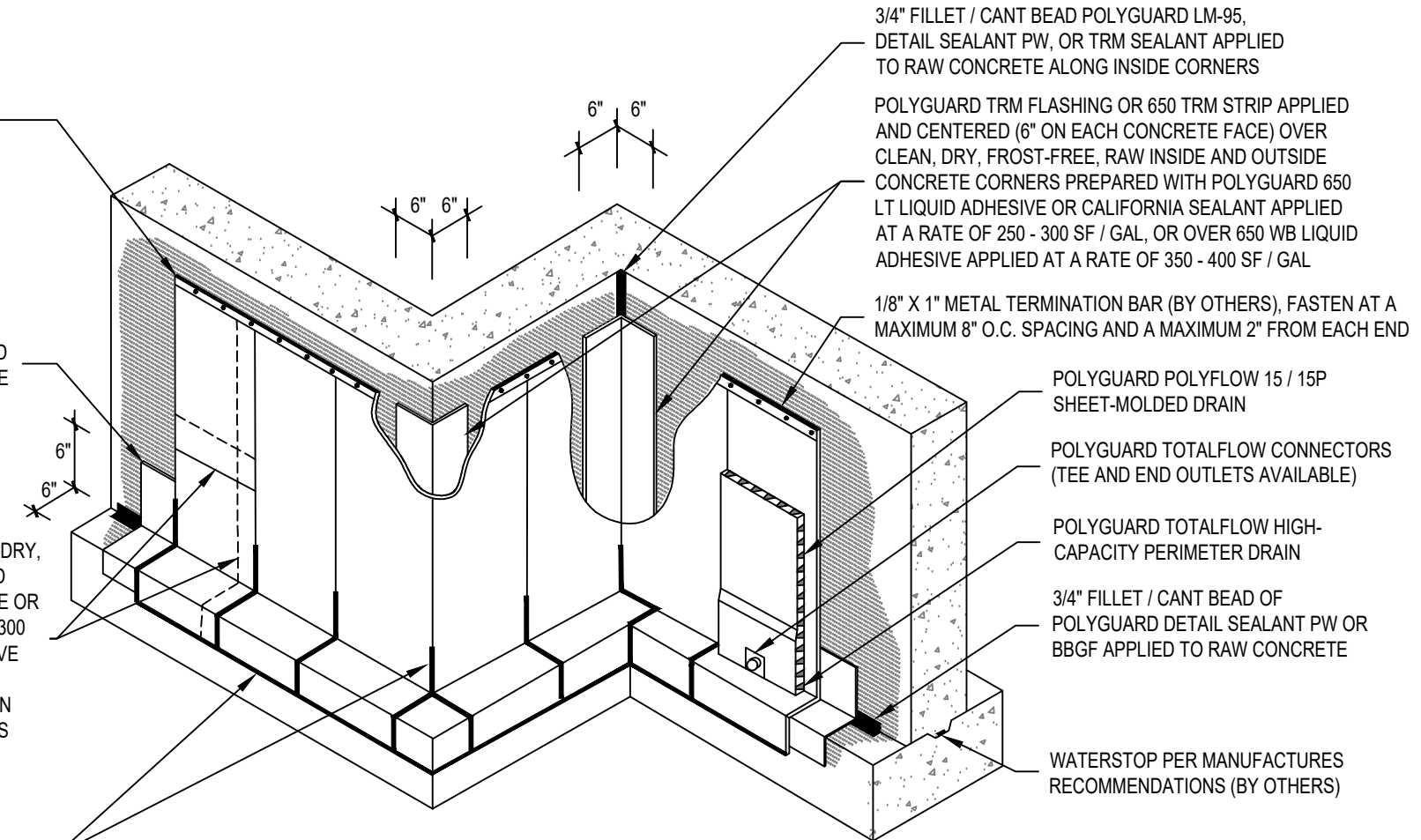
<small>The information provided is based on data and knowledge considered to be true and accurate and is offered for the users' consideration, investigation and verification, but we do not warrant the results to be obtained. Please read all data sheets, statements, recommendations or suggestions in conjunction with our conditions of sale, which apply to all goods supplied by us.</small>	NOT TO SCALE
	EFFECTIVE DATE: 12/17/2024
	SUPERCEDES: 12/10/2024

POLYGUARD LM-95, DETAIL SEALANT PW, OR TRM SEALANT APPLIED AND TOOLED OVER TERMINATION BAR TOP EDGE AND COVER A MINIMUM 1/8" BEYOND PERIMETER OF EACH FASTENER HEAD

POLYGUARD TRM FLASHING OR 650 TRM STRIP APPLIED AND CENTERED (6" ON EACH CONCRETE FACE) OVER CLEAN, DRY, FROST-FREE, RAW INSIDE AND OUTSIDE CONCRETE CORNERS PREPARED WITH POLYGUARD 650 LT LIQUID ADHESIVE OR CALIFORNIA SEALANT APPLIED AT A RATE OF 250 - 300 SF / GAL, OR OVER 650 WB LIQUID ADHESIVE APPLIED AT A RATE OF 350 - 400 SF / GAL

POLYGUARD 650 TRM APPLIED TO CLEAN, DRY, FROST-FREE, RAW SUBSTRATE PREPARED WITH POLYGUARD 650 LT LIQUID ADHESIVE OR CALIFORNIA SEALANT AT A RATE OF 250 - 300 SF / GAL, OR OVER 650 WB LIQUID ADHESIVE APPLIED AT A RATE OF 350 - 400 SF / GAL - OVERLAPS ARE A MINIMUM 2-1/2" ON SIDE LAPS AND A MINIMUM 6" ON END LAPS

POLYGUARD LM-95, DETAIL SEALANT PW, OR TRM SEALANT APPLIED AND TOOLED TO MINIMUM 90 MILS TO SEAMS 12" FROM POLYGUARD 650 TRM CHANGES IN PLANE, AND ALONG MEMBRANE TERMINAL EDGES AS EDGE SEAL



3/4" FILLET / CANT BEAD POLYGUARD LM-95, DETAIL SEALANT PW, OR TRM SEALANT APPLIED TO RAW CONCRETE ALONG INSIDE CORNERS

POLYGUARD TRM FLASHING OR 650 TRM STRIP APPLIED AND CENTERED (6" ON EACH CONCRETE FACE) OVER CLEAN, DRY, FROST-FREE, RAW INSIDE AND OUTSIDE CONCRETE CORNERS PREPARED WITH POLYGUARD 650 LT LIQUID ADHESIVE OR CALIFORNIA SEALANT APPLIED AT A RATE OF 250 - 300 SF / GAL, OR OVER 650 WB LIQUID ADHESIVE APPLIED AT A RATE OF 350 - 400 SF / GAL

1/8" X 1" METAL TERMINATION BAR (BY OTHERS), FASTEN AT A MAXIMUM 8" O.C. SPACING AND A MAXIMUM 2" FROM EACH END

POLYGUARD POLYFLOW 15 / 15P SHEET-MOLDED DRAIN

POLYGUARD TOTALFLOW CONNECTORS (TEE AND END OUTLETS AVAILABLE)

POLYGUARD TOTALFLOW HIGH-CAPACITY PERIMETER DRAIN

3/4" FILLET / CANT BEAD OF POLYGUARD DETAIL SEALANT PW OR BBGF APPLIED TO RAW CONCRETE

WATERSTOP PER MANUFACTURES RECOMMENDATIONS (BY OTHERS)

WPT3a

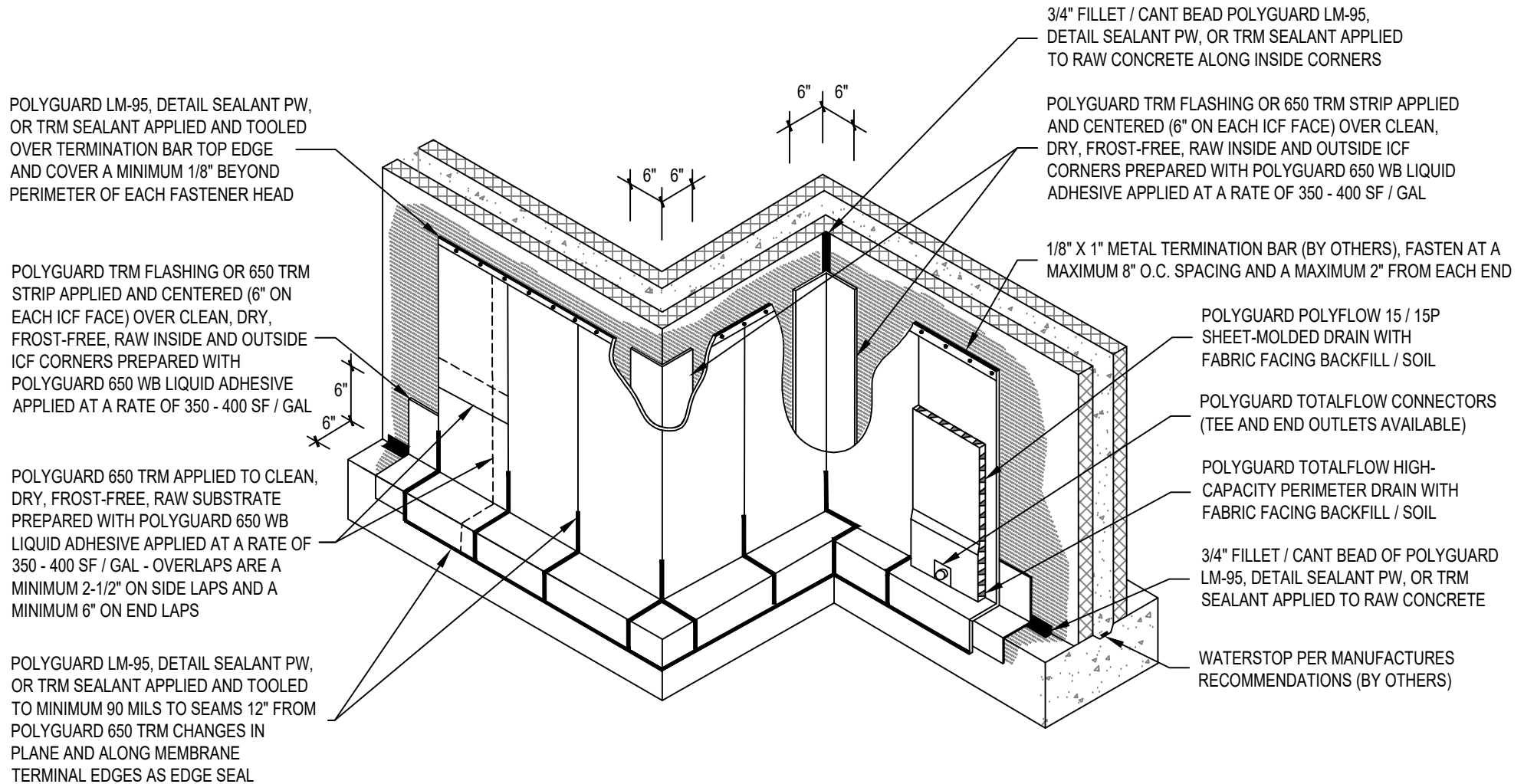
ISOMETRIC @ 650 TRM - CONCRETE / CMU FOUNDATION WALL (OVERVIEW)

Polyguard Products, Inc.
P.O. Box 755 - Ennis, TX 75120
Phone: 214-515-5000
Web Site - www.polyguard.com

GENERAL NOTE: IF ADHESIVE IS REQUIRED FOR SEAMS OR END LAPS, DO NOT USE POLYGUARD 650 WB LIQUID ADHESIVE.

© POLYGUARD PRODUCTS, INC.

The information provided is based on data and knowledge considered to be true and accurate and is offered for the users' consideration, investigation and verification, but we do not warrant the results to be obtained. Please read all data sheets, statements, recommendations or suggestions in conjunction with our conditions of sale, which apply to all goods supplied by us.	NOT TO SCALE
	EFFECTIVE DATE: 12/17/2024
	SUPERCEDES: 12/10/2024



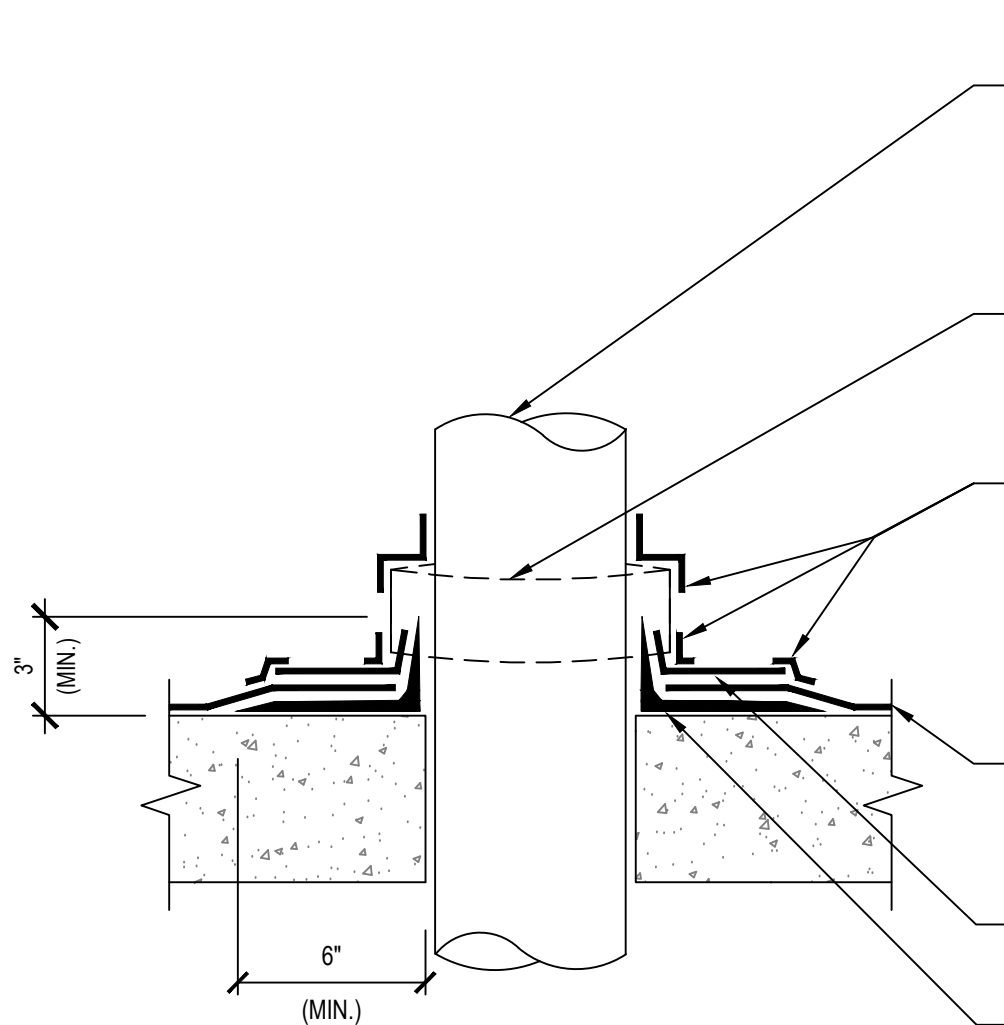
WPT3b ISOMETRIC @ 650 TRM - ICF FOUNDATION WALL (OVERVIEW)

Polyguard Products, Inc.
P.O. Box 755 - Ennis, TX 75120
Phone: 214-515-5000
Web Site - www.polyguard.com

GENERAL NOTE: IF ADHESIVE IS REQUIRED FOR SEAMS OR END LAPS, DO NOT USE POLYGUARD 650 WB LIQUID ADHESIVE.

© POLYGUARD PRODUCTS, INC.

The information provided is based on data and knowledge considered to be true and accurate and is offered for the users' consideration, investigation and verification, but we do not warrant the results to be obtained. Please read all data sheets, statements, recommendations or suggestions in conjunction with our conditions of sale, which apply to all goods supplied by us.	NOT TO SCALE
	EFFECTIVE DATE: 12/17/2024
	SUPERCEDES: 12/10/2024



SECURED PENETRATION MEMBER, CLEAN AND ABRASE MINIMUM 3" OF BASE OF PENETRATION SIDEWALLS. APPLY POLYGUARD 650 LT LIQUID ADHESIVE OR CALIFORNIA SEALANT AT A RATE OF 250 - 300 SF / GAL, OR POLYGUARD 650 WB LIQUID ADHESIVE APPLIED AT A RATE OF 350-400 SF / GAL, TO SIDEWALLS TO PRIME FOR SHEET MEMBRANE OVERLAY APPLICATION

POLYGUARD 650 TRM 3" PIECE (SHOWN DASHED FOR UNDERLAY MATERIAL CLARITY), WRAP AROUND ABRASED PIPE PENETRATION, TARGET PATCH TERMINATION, AND CURED POLYGUARD DETAIL SEALANT PW OR BBGF; ALL PREPARED WITH POLYGUARD 650 LT LIQUID ADHESIVE OR CALIFORNIA SEALANT APPLIED AT A RATE OF 250 - 300 SF / GAL, OR OVER 650 WB LIQUID ADHESIVE APPLIED AT A RATE OF 350 - 400 SF / GAL

POLYGUARD LM-95, DETAIL SEALANT PW, OR TRM SEALANT APPLIED AND TOOLED TO MINIMUM 90 MILS OVER 650 TRM TERMINAL EDGES FOR EDGE SEAL

POLYGUARD 650 TRM FIELD SHEET ROUGH-FIT AROUND PENETRATION, AND APPLIED TO SUBSTRATE PREPARED WITH POLYGUARD 650 LT LIQUID ADHESIVE OR CALIFORNIA SEALANT APPLIED AT A RATE OF 250-300 SF / GAL, OR OVER POLYGUARD 650 WB LIQUID ADHESIVE APPLIED AT A RATE OF 350 - 400 SF / GAL; EXTEND 650 TRM FIELD SHEET MEMBRANE OVER TOP OF (SELECTED) POLYGUARD LM-95, DETAIL SEALANT PW, OR TERM SEALANT

POLYGUARD 650 TRM TARGET PATCH TO CREATE A TIGHT SEAL AROUND PENETRATION

POLYGUARD LM-95, DETAIL SEALANT PW, OR TRM SEALANT APPLIED AND TOOLED TO MINIMUM 90 MILS, EXTEND MINIMUM 6" ONTO RAW CONCRETE AND 3" ONTO ABRASED AND PRIMED PENETRATION

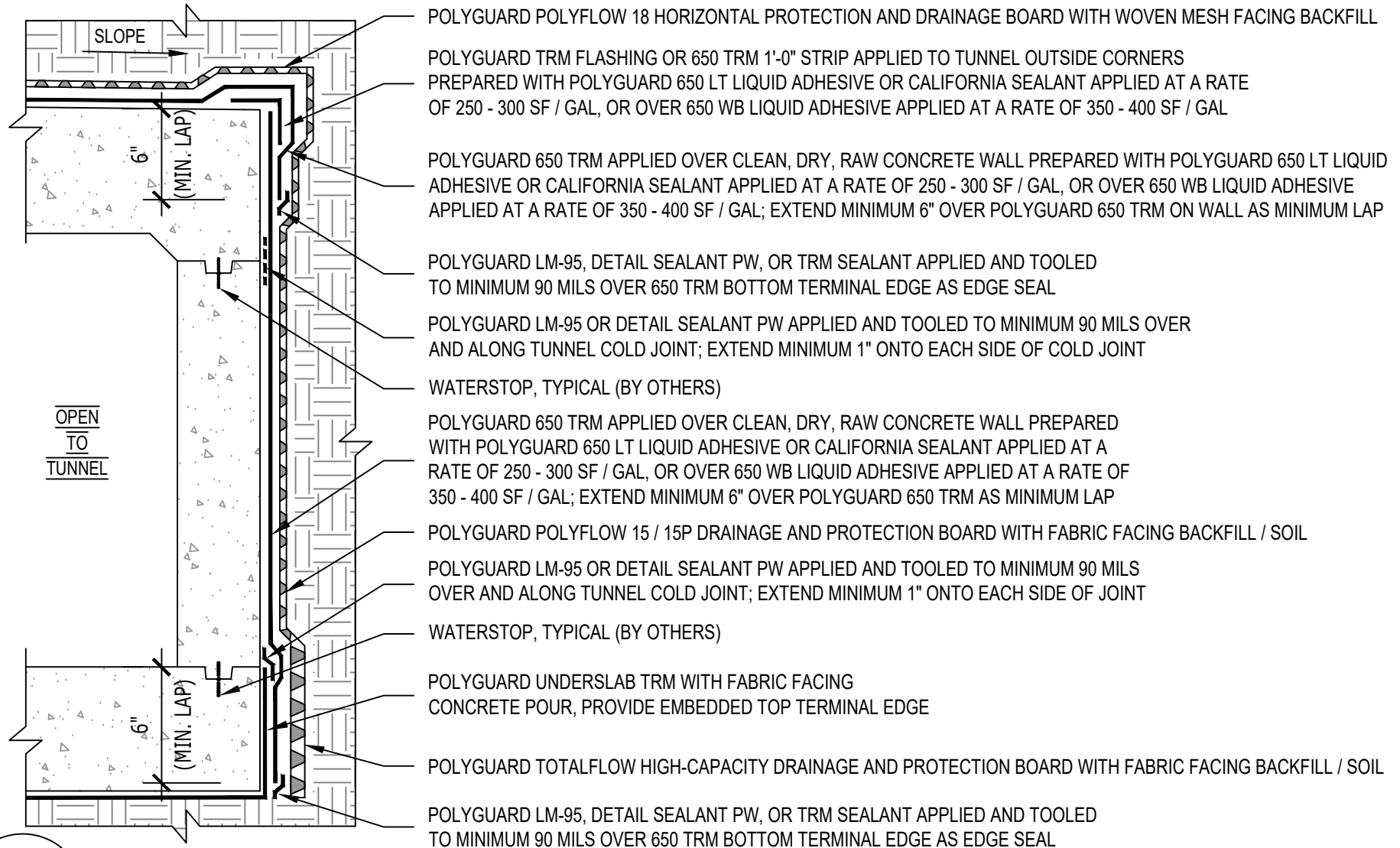
WPT4

SECTION @ 650 TRM - HORIZONTAL PIPE PENETRATION

GENERAL NOTE: IF ADHESIVE IS REQUIRED FOR SEAMS OR END LAPS, DO NOT USE POLYGUARD 650 WB LIQUID ADHESIVE.

**MATERIAL SEPARATED FOR CLARITY
© POLYGUARD PRODUCTS, INC.**

<p>The information provided is based on data and knowledge considered to be true and accurate and is offered for the users' consideration, investigation and verification, but we do not warrant the results to be obtained. Please read all data sheets, statements, recommendations or suggestions in conjunction with our conditions of sale, which apply to all goods supplied by us.</p>	NOT TO SCALE
	EFFECTIVE DATE: 12/17/2024
	SUPERCEDES: 12/10/2024



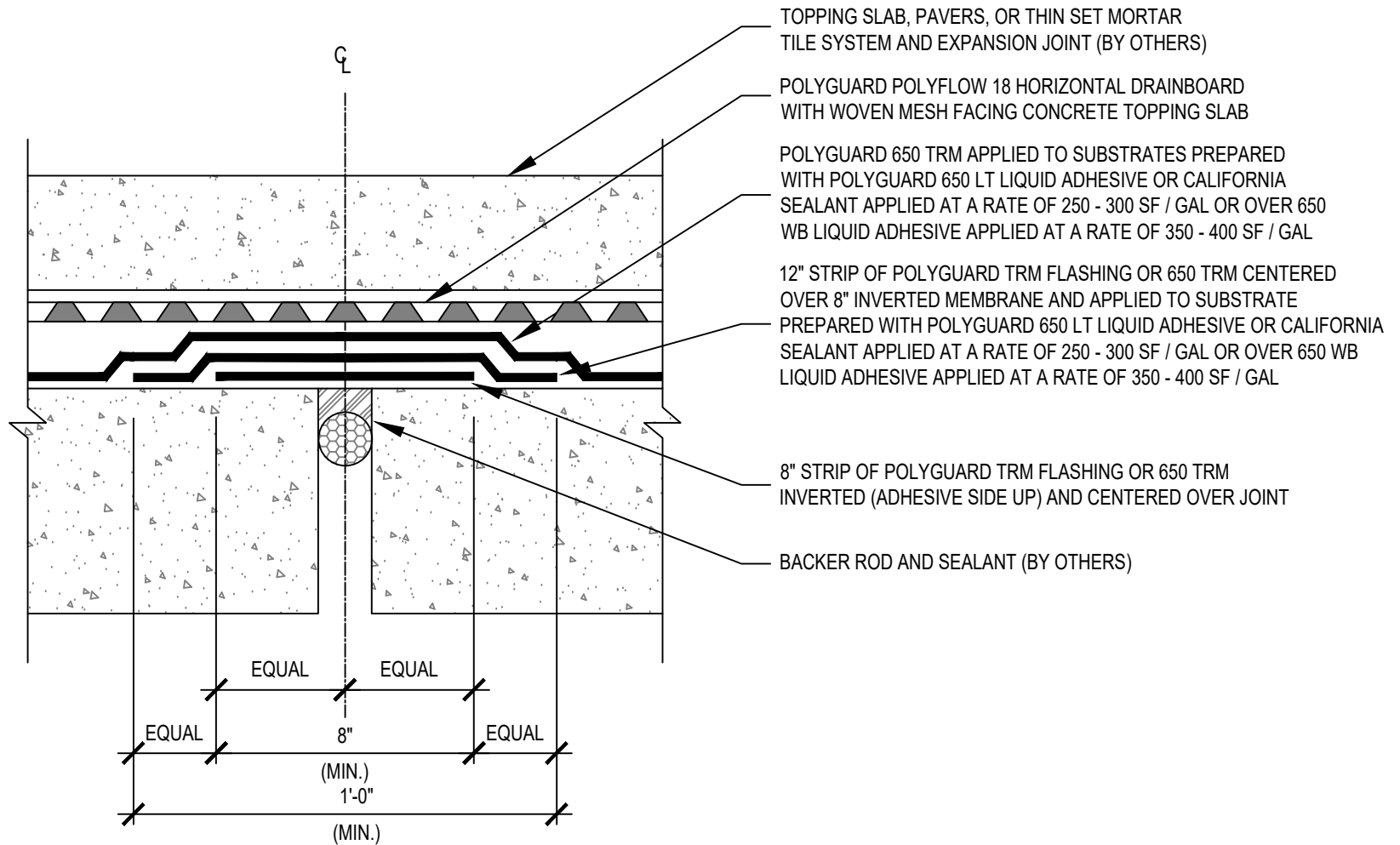
WPT5 SECTION @ 650 TRM - TUNNEL WATERPROOFING

Polyguard Products, Inc.
P.O. Box 755 - Ennis, TX 75120
Phone: 214-515-5000
Web Site - www.polyguard.com

GENERAL NOTE: IF ADHESIVE IS REQUIRED FOR SEAMS OR END LAPS, DO NOT USE POLYGUARD 650 WB LIQUID ADHESIVE.

MATERIAL SEPARATED FOR CLARITY
© POLYGUARD PRODUCTS, INC.

The information provided is based on data and knowledge considered to be true and accurate and is offered for the users' consideration, investigation and verification, but we do not warrant the results to be obtained. Please read all data sheets, statements, recommendations or suggestions in conjunction with our conditions of sale, which apply to all goods supplied by us.	NOT TO SCALE
	EFFECTIVE DATE: 12/17/2024
	SUPERCEDES: 12/10/2024



WPT6 SECTION @ 650 TRM - HORIZONTAL EXPANSION JOINT COVER

Polyguard Products, Inc.
P.O. Box 755 - Ennis, TX 75120
Phone: 214-515-5000
Web Site - www.polyguard.com

**GENERAL NOTE: IF ADHESIVE IS REQUIRED FOR SEAMS OR
END LAPS, DO NOT USE POLYGUARD 650 WB LIQUID ADHESIVE.**

MATERIAL SEPARATED FOR CLARITY
© POLYGUARD PRODUCTS, INC.

The information provided is based on data and knowledge considered to be true and accurate and is offered for the users' consideration, investigation and verification, but we do not warrant the results to be obtained. Please read all data sheets, statements, recommendations or suggestions in conjunction with our conditions of sale, which apply to all goods supplied by us.	NOT TO SCALE
	EFFECTIVE DATE: 12/17/2024
	SUPERCEDES: 12/10/2024

POLYGUARD LM-95, DETAIL SEALANT PW,
OR TRM SEALANT APPLIED AND TOOLED
TO SEAL TERMINATION BAR FASTENER
HEADS TO 1/8" BEYOND PERIMETER, AND
ALONG TERMINATION BAR TOP EDGE

1" x 1/8" METAL TERMINATION BAR (BY OTHERS)
OVER AND ALONG MEMBRANE TOP TERMINATION
WITH FASTENERS (BY OTHERS) AT MAX. 8"
SPACING O.C. AND MIN. 2" FROM EACH END

12" STRIP OF POLYGUARD TRM FLASHING OR
650 TRM AT INSIDE AND OUTSIDE CORNERS
PREPARED WITH POLYGUARD 650 LT LIQUID
ADHESIVE APPLIED AT A RATE OF 250 - 300 SF
/ GAL, OR OVER 650 WB LIQUID ADHESIVE
APPLIED AT A RATE OF 350 - 400 SF / GAL

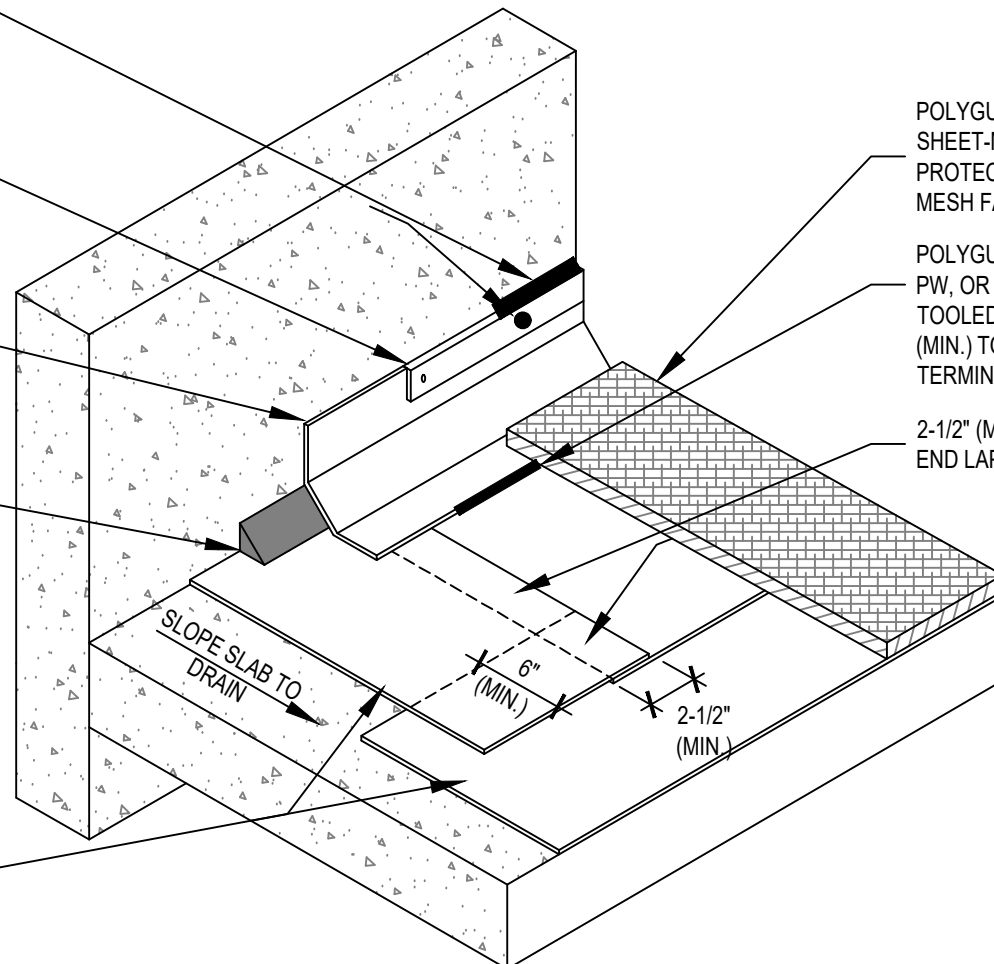
3/4" MIN. CANT / FILLET OF
POLYGUARD LM-95, DETAIL
SEALANT PW, OR TRM SEALANT

POLYGUARD 650 TRM APPLIED TO
SUBSTRATES PREPARED WITH
POLYGUARD 650 LT LIQUID ADHESIVE
APPLIED AT A RATE OF 250 - 300 SF / GAL
OR OVER 650 WB LIQUID ADHESIVE
APPLIED AT A RATE OF 350 - 400 SF / GAL

POLYGUARD POLYFLOW 18
SHEET-MOLDED DRAIN OR
PROTECTION MAT - WOVEN
MESH FACING TOPPING SLAB

POLYGUARD LM-95, DETAIL SEALANT
PW, OR TRM SEALANT APPLIED AND
TOOLED ONTO SEAMS AT 30 MILS
(MIN.) TO 1" (MIN.) ON EACH SIDE OF
TERMINAL EDGE

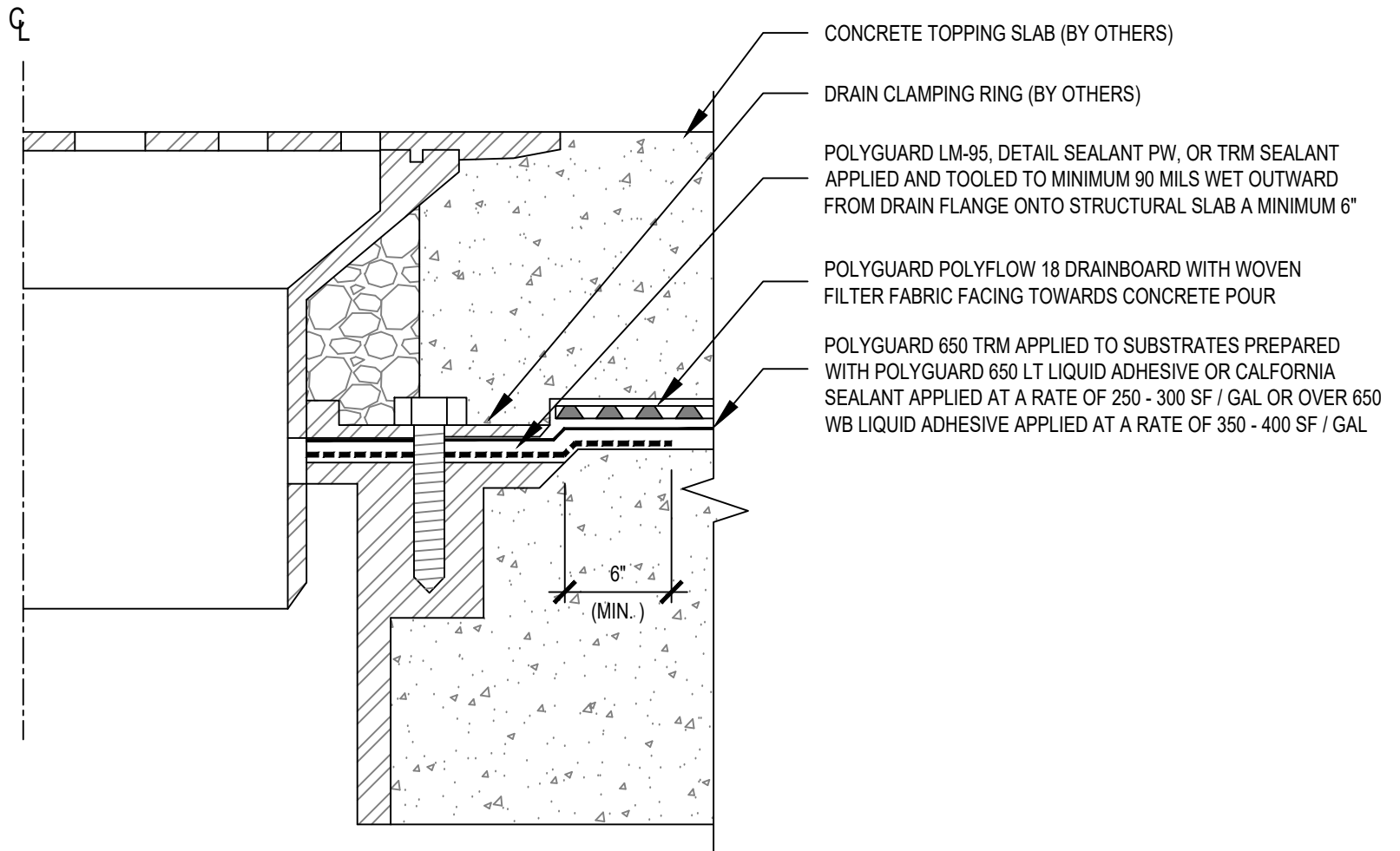
2-1/2" (MIN.) SIDE LAP AND 6" (MIN.)
END LAP; SHINGLE LAPS TO DRAIN



WPT7 ISOMETRIC @ 650 TRM - HORIZONTAL SLAB AT WALL TRANSITION

**GENERAL NOTE: IF ADHESIVE IS REQUIRED FOR SEAMS OR
END LAPS, DO NOT USE POLYGUARD 650 WB LIQUID ADHESIVE.**

The information provided is based on data and knowledge considered to be true and accurate and is offered for the users' consideration, investigation and verification, but we do not warrant the results to be obtained. Please read all data sheets, statements, recommendations or suggestions in conjunction with our conditions of sale, which apply to all goods supplied by us.	NOT TO SCALE
	EFFECTIVE DATE: 12/17/2024
	SUPERCEDES: 12/10/2024



WPT8 SECTION @ 650 TRM - DUAL LEVEL DRAIN

Polyguard Products, Inc.
P.O. Box 755 - Ennis, TX 75120
Phone: 214-515-5000
Web Site - www.polyguard.com

GENERAL NOTE: IF ADHESIVE IS REQUIRED FOR SEAMS OR END LAPS, DO NOT USE POLYGUARD 650 WB LIQUID ADHESIVE.

MATERIAL SEPARATED FOR CLARITY
© POLYGUARD PRODUCTS, INC.

<small>The information provided is based on data and knowledge considered to be true and accurate and is offered for the users' consideration, investigation and verification, but we do not warrant the results to be obtained. Please read all data sheets, statements, recommendations or suggestions in conjunction with our conditions of sale, which apply to all goods supplied by us.</small>	NOT TO SCALE
	EFFECTIVE DATE: 12/17/2024
	SUPERCEDES: 12/10/2024

POLYGUARD POLYFLOW 15 OR 15P SHEET-MOLDED DRAINAGE AND PROTECTION BOARD WITH FABRIC FACING SOIL / BACKFILL

POLYGUARD 650 TRM APPLIED TO CLEAN, DRY, FROST-FREE, RAW CONCRETE PREPARED WITH POLYGUARD 650 LT LIQUID ADHESIVE OR CALIFORNIA SEALANT APPLIED AT A RATE OF 250 - 300 SF / GAL, OR OVER POLGUARD 650 WB LIQUID ADHESIVE APPLIED AT A RATE OF 350 - 400 SF / GAL

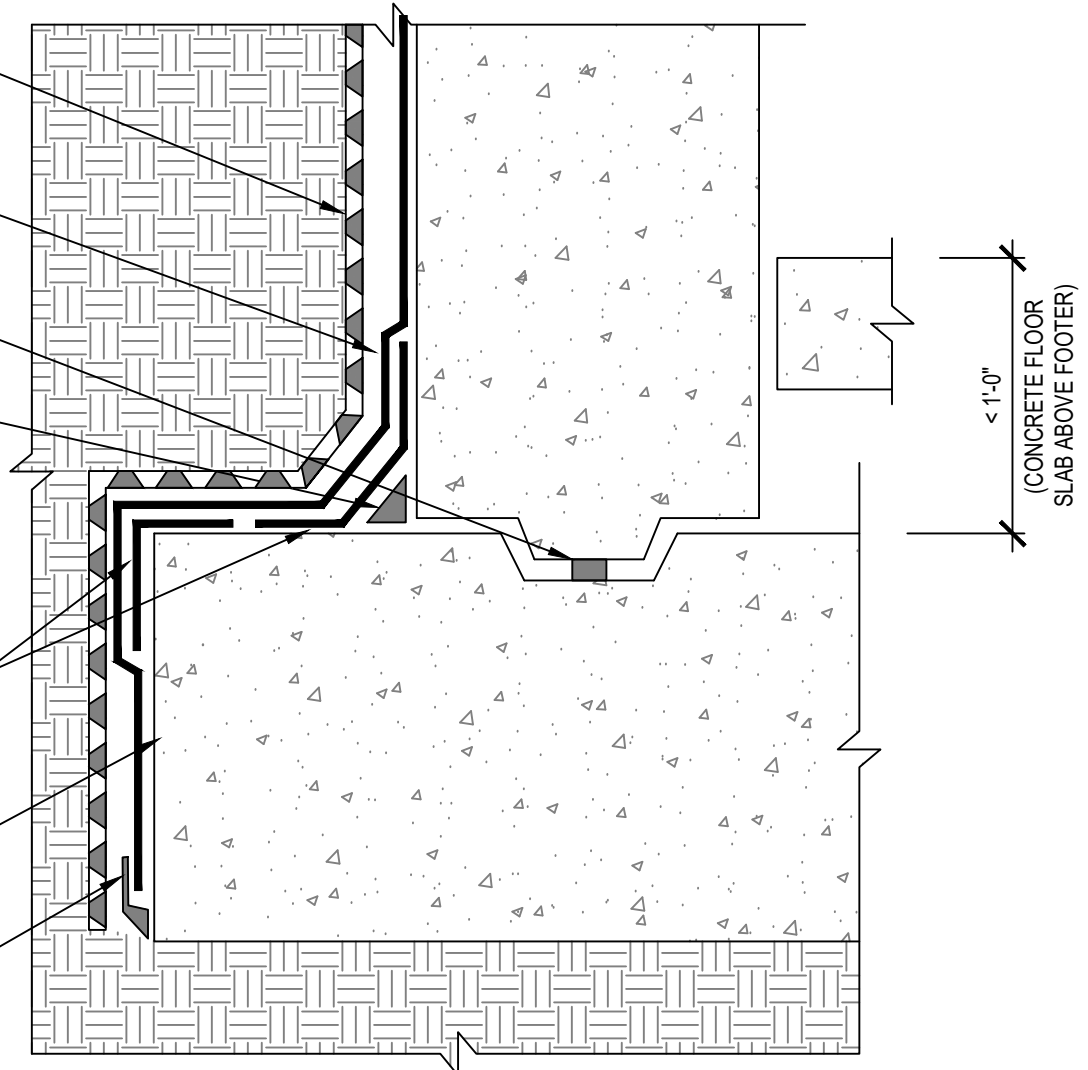
WATERSTOP (BY OTHERS)

POLYGUARD LM-95, DETAIL SEALANT PW, OR TRM SEALANT APPLIED AND TOOLED OVER CLEAN, DRY, FROST-FREE, RAW CONCRETE TO MINIMUM 3/4" FILLET / CANT

POLYGUARD TRM FLASHING OR 650 TRM STRIP APPLIED TO CLEAN, DRY, FROST-FREE, RAW INSIDE AND OUTSIDE CONCRETE CORNERS PREPARED WITH POLYGUARD 650 LT LIQUID ADHESIVE APPLIED AT A RATE OF 250 - 300 SF / GAL, OR OVER 650 WB LIQUID ADHESIVE APPLIED AT A RATE OF 350 - 400 SF / GAL

PROVIDE ONLY WOOD FORMS FOR CONCRETE FOOTER POSITION AND PLACEMENT, NO EARTH FORMS

POLYGUARD LM-95, DETAIL SEALANT PW, OR TRM SEALANT BARRIER APPLIED AND TOOLED TO MINIMUM 90 MILS OVER AND ALONG CLEAN AND DRY POLYGUARD 650 TRM BOTTOM TERMINAL EDGE, EXTEND MINIMUM 1/2" TO EACH SIDE OF TERMINAL EDGE



< 1'-0"
(CONCRETE FLOOR
SLAB ABOVE FOOTER)

WPT9

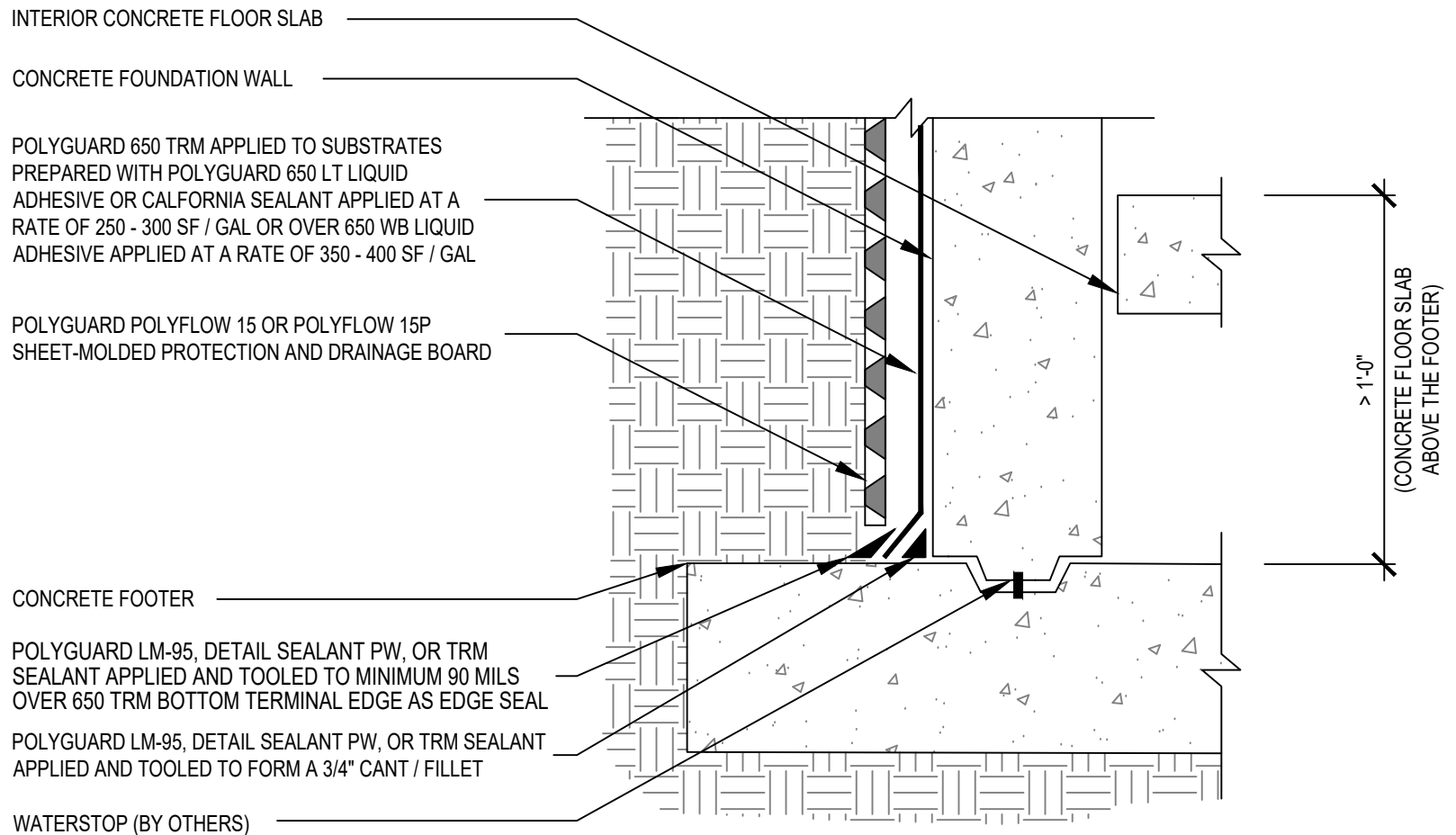
SECTION @ 650 TRM - BOTTOM TERMINATION FOR TOP OF INTERIOR FLOOR LESS THAN 12" ABOVE TOP OF FOOTER

Polyguard Products, Inc.
P.O. Box 755 - Ennis, TX 75120
Phone: 214-515-5000
Web Site - www.polyguard.com

GENERAL NOTE: IF ADHESIVE IS REQUIRED FOR SEAMS OR END LAPS, DO NOT USE POLYGUARD 650 WB LIQUID ADHESIVE.

MATERIAL SEPARATED FOR CLARITY
© POLYGUARD PRODUCTS, INC.

<small>The information provided is based on data and knowledge considered to be true and accurate and is offered for the users' consideration, investigation and verification, but we do not warrant the results to be obtained. Please read all data sheets, statements, recommendations or suggestions in conjunction with our conditions of sale, which apply to all goods supplied by us.</small>	NOT TO SCALE
	EFFECTIVE DATE: 12/17/2024
	SUPERCEDES: 12/10/2024



WPT10

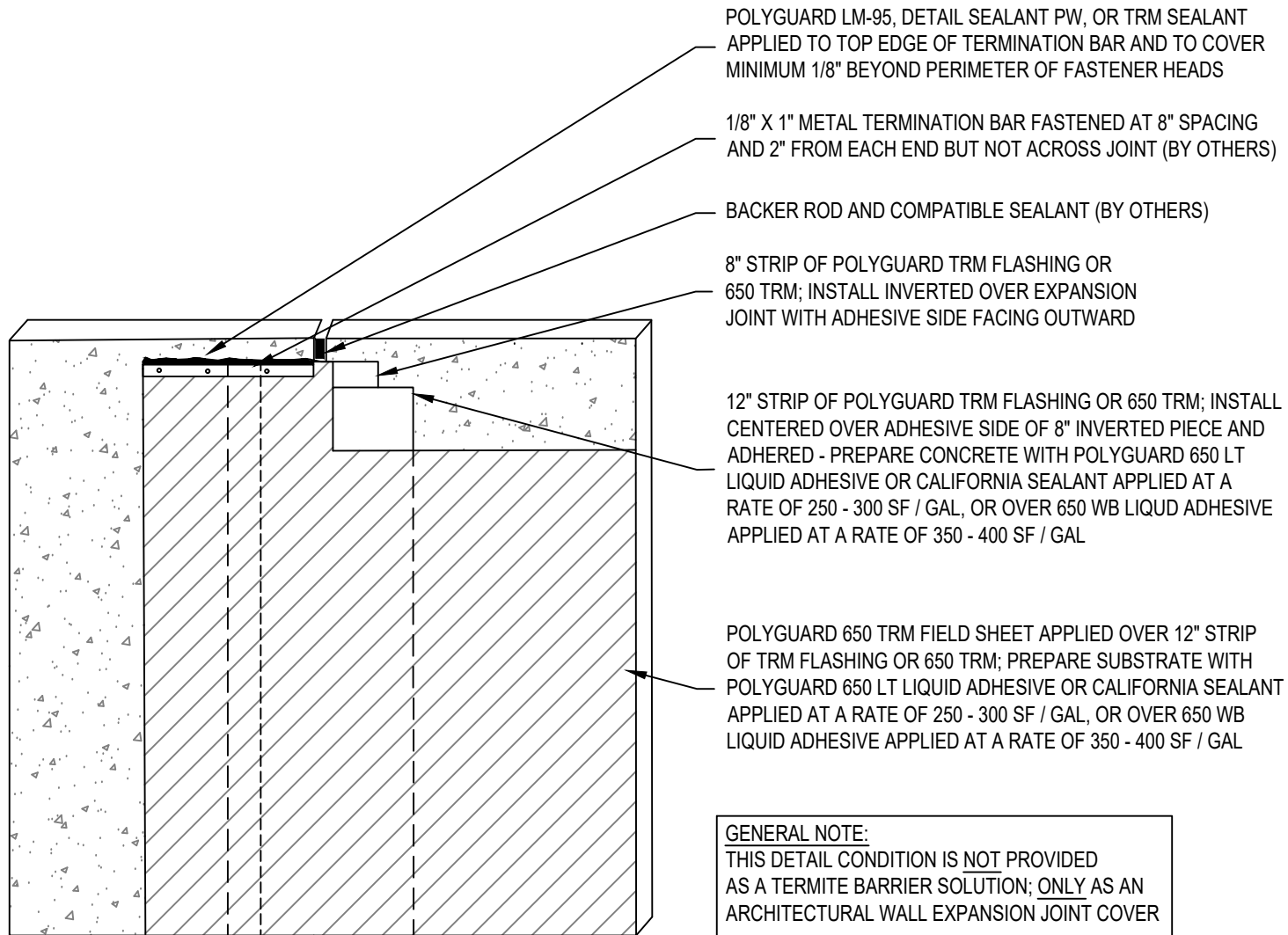
SECTION @ 650 TRM - BOTTOM TERMINATION FOR TOP OF INTERIOR FLOOR GREATER THAN 12" ABOVE TOP OF FOOTER

MATERIAL SEPARATED FOR CLARITY
© POLYGUARD PRODUCTS, INC.

Polyguard Products, Inc.
P.O. Box 755 - Ennis, TX 75120
Phone: 214-515-5000
Web Site - www.polyguard.com

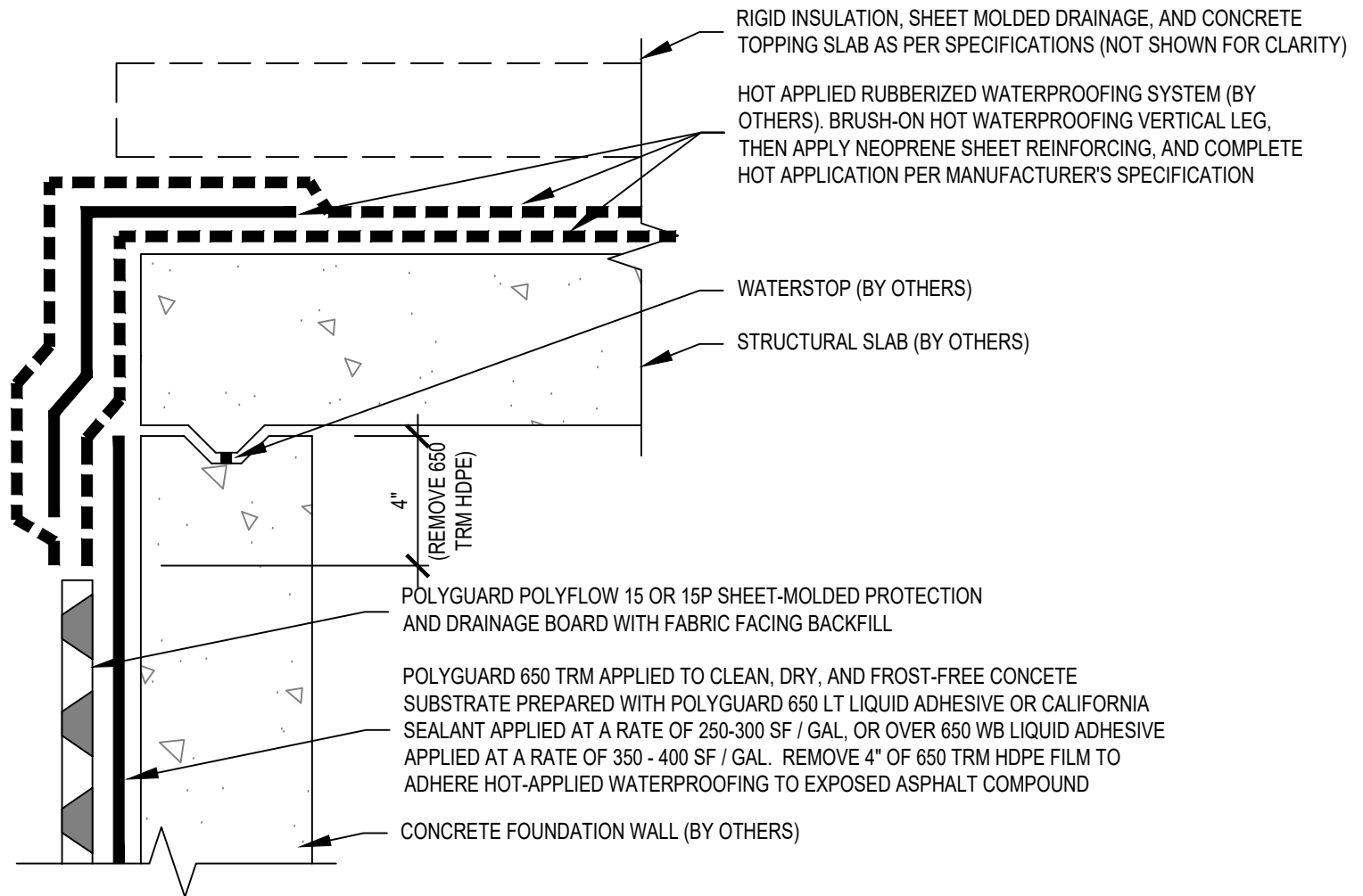
GENERAL NOTE: IF ADHESIVE IS REQUIRED FOR SEAMS OR END LAPS, DO NOT USE POLYGUARD 650 WB LIQUID ADHESIVE.

<small>The information provided is based on data and knowledge considered to be true and accurate and is offered for the users' consideration, investigation and verification, but we do not warrant the results to be obtained. Please read all data sheets, statements, recommendations or suggestions in conjunction with our conditions of sale, which apply to all goods supplied by us.</small>	NOT TO SCALE
	EFFECTIVE DATE: 12/17/2024
	SUPERCEDES: 12/10/2024



WPT11

SECTION @ 650 TRM - WALL EXPANSION JOINT COVER



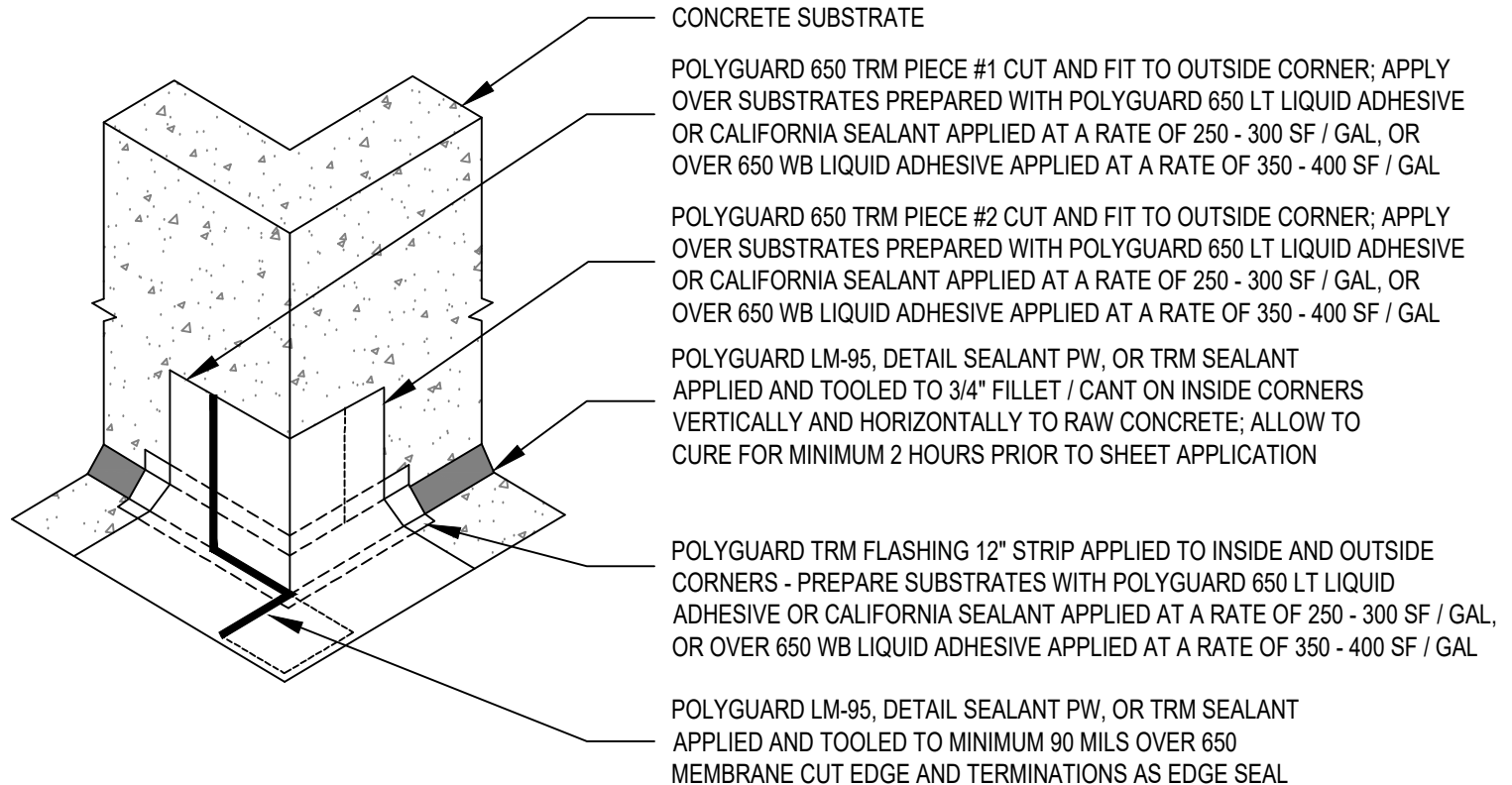
WPT12 SECTION @ 650 TRM - HOT-APPLIED RUBBER TIE-IN TO SELF-ADHERED MEMBRANE

Polyguard Products, Inc.
P.O. Box 755 - Ennis, TX 75120
Phone: 214-515-5000
Web Site - www.polyguard.com

GENERAL NOTE: IF ADHESIVE IS REQUIRED FOR SEAMS OR END LAPS, DO NOT USE POLYGUARD 650 WB LIQUID ADHESIVE.

MATERIAL SEPARATED FOR CLARITY
© POLYGUARD PRODUCTS, INC.

<small>The information provided is based on data and knowledge considered to be true and accurate and is offered for the users' consideration, investigation and verification, but we do not warrant the results to be obtained. Please read all data sheets, statements, recommendations or suggestions in conjunction with our conditions of sale, which apply to all goods supplied by us.</small>	NOT TO SCALE
	EFFECTIVE DATE: 12/17/2024
	SUPERCEDES: 12/10/2024

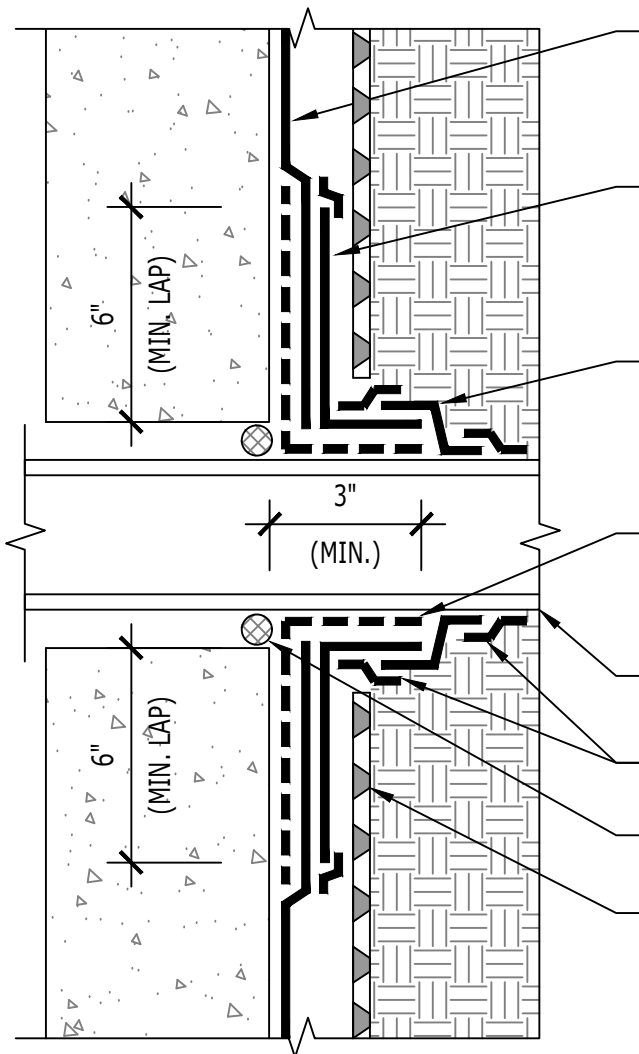


WPT13 SECTION @ 650 TRM - FIELD-FORMED OUTSIDE CORNER

GENERAL NOTE: IF ADHESIVE IS REQUIRED FOR SEAMS OR END LAPS, DO NOT USE POLYGUARD 650 WB LIQUID ADHESIVE.

MATERIAL SEPARATED FOR CLARITY
© POLYGUARD PRODUCTS, INC.

<small>The information provided is based on data and knowledge considered to be true and accurate and is offered for the users' consideration, investigation and verification, but we do not warrant the results to be obtained. Please read all data sheets, statements, recommendations or suggestions in conjunction with our conditions of sale, which apply to all goods supplied by us.</small>	NOT TO SCALE
	EFFECTIVE DATE: 12/17/2024
	SUPERCEDES: 12/10/2024



POLYGUARD 650 TRM; ROUGH-FIT AROUND PENETRATION AND OVER POLYGUARD TRM SEALANT PREPARED WITH POLYGUARD 650 LT LIQUID ADHESIVE OR CALIFORNIA SEALANT APPLIED AT A RATE OF 250 - 300 SF / GAL, OR OVER 650 WB LIQUID ADHESIVE APPLIED AT A RATE OF 350 - 400 SF / GAL

POLYGUARD TRM FLASHING OR 650 TRM TIGHT-FITTING TARGET PATCH TO CREATE A TIGHT SEAL AROUND PENETRATION BASE; EXTEND MINIMUM 6" ONTO WALL SURFACE AND MINIMUM 3" AROUND SECURED PENETRATION; APPLY OVER CLEAN AND DRY POLYGUARD SUBSTRATE MATERIALS PREPARED WITH POLYGUARD 650 LT LIQUID ADHESIVE OR CALIFORNIA SEALANT APPLIED AT A RATE OF 250 - 300 SF / GAL, OR OVER 650 WB LIQUID ADHESIVE APPLIED AT A RATE OF 350 - 400 SF / GAL

POLYGUARD 650 TRM MINIMUM 3" WIDE TIGHT-FITTING TARGET PATCH TO CREATE A TIGHT SEAL AROUND SECURED PENETRATION; APPLY OVER CLEAN AND DRY POLYGUARD SUBSTRATE MATERIALS PREPARED WITH POLYGUARD 650 LT LIQUID ADHESIVE OR CALIFORNIA SEALANT APPLIED AT A RATE OF 250 - 300 SF / GAL, OR OVER 650 WB LIQUID ADHESIVE APPLIED AT A RATE OF 350 - 400 SF / GAL

POLYGUARD LM-95, DETAIL SEALANT PW, OR TRM SEALANT APPLIED AND TOOLED TO MINIMUM 90 MILS THICK OVER CLEAN, DRY, RAW WALL CONCRETE SUBSTRATE AND ABRADED PENETRATION; EXTEND MINIMUM 6" ONTO EXISTING CONCRETE WALL SUBSTRATE AND MINIMUM 3" ONTO EXISTING ABRADED PENETRATION SUBSTRATE; WITH BOTH SUBSTRATES PREPARED USING POLYGUARD 650 LT LIQUID ADHESIVE OR CALIFORNIA SEALANT APPLIED AT A RATE OF 250 - 300 SF / GAL, OR OVER 650 WB LIQUID ADHESIVE APPLIED AT A RATE OF 350 - 400 SF / GAL

SECURED PENETRATION, CLEAN AND ABRAD MINIMUM 3" OF BASE OF PENETRATION SIDEWALLS JUST PRIOR TO POLYGUARD 650 TRM SYSTEM APPLICATION

POLYGUARD LM-95, DETAIL SEALANT PW, OR TRM SEALANT BARRIER APPLIED AND TOOLED TO MINIMUM 90 MILS OVER ALL 650 TRM TARGET PATCH TERMINAL EDGES AS EDGE SEAL

BACKER ROD (BY OTHERS)

POLYGUARD POLYFLOW 15 OR 15P SHEET-MOLDED DRAINAGE AND PROTECTION BOARD WITH FABRIC FACING BACKFILL / SOIL

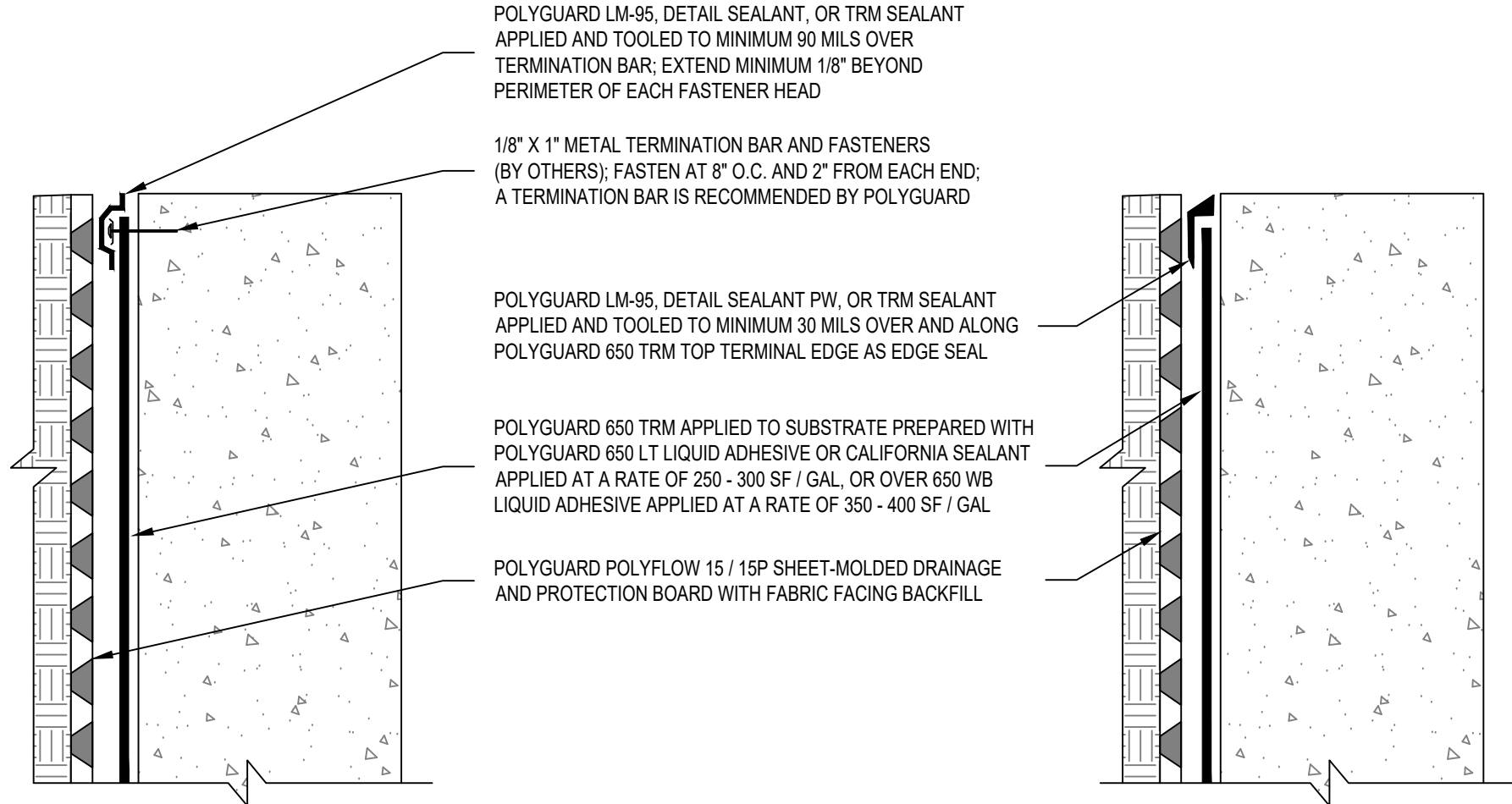
WPT14

SECTION @ 650 TRM - WALL PENETRATION

GENERAL NOTE: IF ADHESIVE IS REQUIRED FOR SEAMS OR END LAPS, DO NOT USE POLYGUARD 650 WB LIQUID ADHESIVE.

**MATERIAL SEPARATED FOR CLARITY
© POLYGUARD PRODUCTS, INC.**

<p>The information provided is based on data and knowledge considered to be true and accurate and is offered for the users' consideration, investigation and verification, but we do not warrant the results to be obtained. Please read all data sheets, statements, recommendations or suggestions in conjunction with our conditions of sale, which apply to all goods supplied by us.</p>	NOT TO SCALE
	EFFECTIVE DATE: 12/17/2024
	SUPERCEDES: 12/10/2024



A OPTION RECOMMENDED BY POLYGUARD

B OPTION ACCEPTABLE TO POLYGUARD

WPT15 SECTION @ 650 TRM - FOUNDATION WALL TOP TERMINATION (OPTIONS)

Polyguard Products, Inc.
P.O. Box 755 - Ennis, TX 75120
Phone: 214-515-5000
Web Site - www.polyguard.com

GENERAL NOTE: IF ADHESIVE IS REQUIRED FOR SEAMS OR END LAPS, DO NOT USE POLYGUARD 650 WB LIQUID ADHESIVE.

MATERIAL SEPARATED FOR CLARITY
© POLYGUARD PRODUCTS, INC.

<small>The information provided is based on data and knowledge considered to be true and accurate and is offered for the users' consideration, investigation and verification, but we do not warrant the results to be obtained. Please read all data sheets, statements, recommendations or suggestions in conjunction with our conditions of sale, which apply to all goods supplied by us.</small>	NOT TO SCALE
	EFFECTIVE DATE: 12/17/2024
	SUPERCEDES: 12/10/2024