

EXISTING FIELD SHEET OF POLYGUARD MEMBRANE: 650, 650 PRM OR 650 WRM

REPAIR DAMAGED AREAS, FISHMOUTH AND BUBBLES LARGER THAN 4" IN DIAMETER. REMOVE ANY MATERIAL THAT DOES NOT ALLOW PATCH TO BE FULLY ADHERED OR LAY FLAT

APPLY A PATCH OF POLYGUARD MEMBRANE: 650, 650 PRM OR 650 WRM 6" LARGER THAN DAMAGE IN ALL DIRECTIONS TO EXISTING MEMBRANE PREPARED WITH POLYGUARD 650 LT LIQUID ADHESIVE OR POLYGUARD CALIFORNIA SEALANT APPLIED AT A RATE OF 250 - 300 SF/GAL OR POLYGUARD 650 WB LIQUID ADHESIVE AT A RATE OF 350 - 400 SF/GAL

POLYGUARD DETAIL SEALANT PW OR POLYGUARD LM-95 LIQUID MEMBRANE APPLIED TO PATCH PERIMETER EDGES TO 30 MIL THICKNESS AND 1" TO EACH SIDE OF THE EDGE

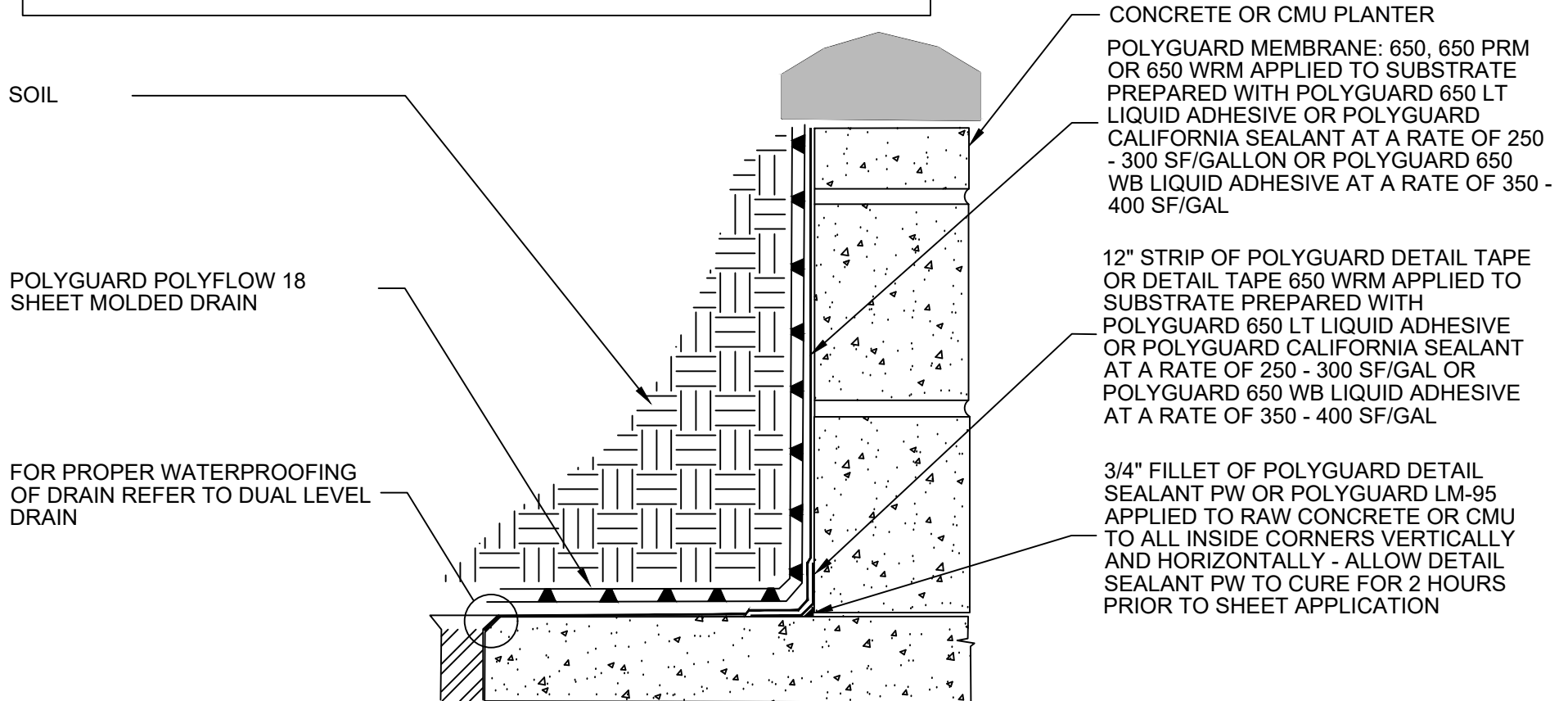
WP1

OVERVIEW @ SELF-ADHERED REPAIR PATCH

SPECIAL NOTE: IF ADHESIVE IS REQUIRED FOR SEAMS OR ENDLAPS DO NOT USE POLYGUARD 650 WB LIQUID ADHESIVE

| | |
|--|-------------------------------|
| The information provided is based on data and knowledge considered to be true and accurate and is offered for the users' consideration, investigation and verification, but we do not warrant the results to be obtained. Please read all data sheets, statements, recommendations or suggestions in conjunction with our conditions of sale, which apply to all goods supplied by us. | NOT TO SCALE |
| | EFFECTIVE DATE: 12/16/2024 |
| | SUPERCEDES: 07/15/2024 |

BUILD CMU WALLS WITH JOINTS ON THE WATERPROOFING SIDE STRUCK FLUSH WITH THE FACE OF THE CMU. EITHER PARGE COAT OR PREPARE THE SURFACE WITH A 60 MIL APPLICATION OF POLYGUARD STRETCH FLEX BG



WP2

SECTION@ POURED CONCRETE OR CMU PLANTER WATERPROOFING

©POLYGUARD PRODUCTS, INC.
MATERIAL SEPARATED FOR CLARITY

Polyguard Products, Inc.
P.O. Box 755 - Ennis, TX 75120
Phone: 214-515-5000
Web Site - www.polyguard.com

SPECIAL NOTE: IF ADHESIVE IS REQUIRED FOR SEAMS OR ENDLAPS DO NOT USE POLYGUARD 650 WB LIQUID ADHESIVE

| | |
|---|-------------------------------|
| <small>The information provided is based on data and knowledge considered to be true and accurate and is offered for the users' consideration, investigation and verification, but we do not warrant the results to be obtained. Please read all data sheets, statements, recommendations or suggestions in conjunction with our conditions of sale, which apply to all goods supplied by us.</small> | NOT TO SCALE |
| | EFFECTIVE DATE: 12/16/2024 |
| | SUPERCEDES: 07/15/2024 |

POLYGUARD DETAIL SEALANT PW OR POLYGUARD LM-95 APPLIED TO THE TOP EDGE OF TERMINATION BAR AND TO COVER A MINIMUM 1/8" BEYOND THE PERIMETER OF EACH FASTENER HEAD

POLYGUARD MEMBRANE: 650, 650 PRM OR 650 WRM APPLIED TO SUBSTRATE PREPARED WITH POLYGUARD 650 LT LIQUID ADHESIVE OR POLYGUARD CALIFORNIA SEALANT AT A RATE OF 250 - 300 SF / GAL OR POLYGUARD 650 WB LIQUID ADHESIVE AT 350 - 400 SF/GAL - OVERLAPS ARE A MINIMUM 2-1/2" ON SIDE LAPS AND A MINIMUM 6" ON END LAPS

POLYGUARD 12" DETAIL TAPE, DETAIL TAPE WRM OR A 12" STRIP OF POLYGUARD MEMBRANE: 650 OR 650 WRM APPLIED AND CENTERED (6" ON EACH CONCRETE FACE) ON ALL INSIDE AND OUTSIDE CORNERS PREPARED WITH POLYGUARD 650 LT LIQUID ADHESIVE OR POLYGUARD CALIFORNIA SEALANT AT A RATE OF 250 - 300 SF/GAL OR POLYGUARD 650 WB LIQUID ADHESIVE AT A RATE OF 350 - 400 SF/GAL

POLYGUARD DETAIL SEALANT PW OR POLYGUARD LM-95 APPLIED TO SEAMS 12" FROM POLYGUARD MEMBRANE: 650, 650 PRM OR 650 WRM CHANGES IN PLANE, AND ALONG POLYGUARD MEMBRANE TERMINAL CUT EDGES

3/4" FILLET / CANT BEAD POLYGUARD DETAIL SEALANT PW OR POLYGUARD LM-95 APPLIED TO RAW CONCRETE ALONG INSIDE CORNERS

POLYGUARD 12" DETAIL TAPE OR DETAIL TAPE WRM OR A 12" STRIP OF POLYGUARD MEMBRANE: 650, 650 WRM APPLIED AND CENTERED (6" ON EACH CONCRETE FACE) ON ALL INSIDE AND OUTSIDE CORNERS PREPARED WITH POLYGUARD 650 LT LIQUID ADHESIVE OR POLYGUARD CALIFORNIA SEALANT AT A RATE OF 250 - 300 SF/GAL OR POLYGUARD 650 WB LIQUID ADHESIVE AT A RATE OF 350 - 400 SF/GAL

1/8" X 1" METAL TERMINATION BAR (BY OTHERS), FASTEN AT A MAXIMUM 8" O.C. SPACING AND A MAXIMUM 2" FROM EACH END

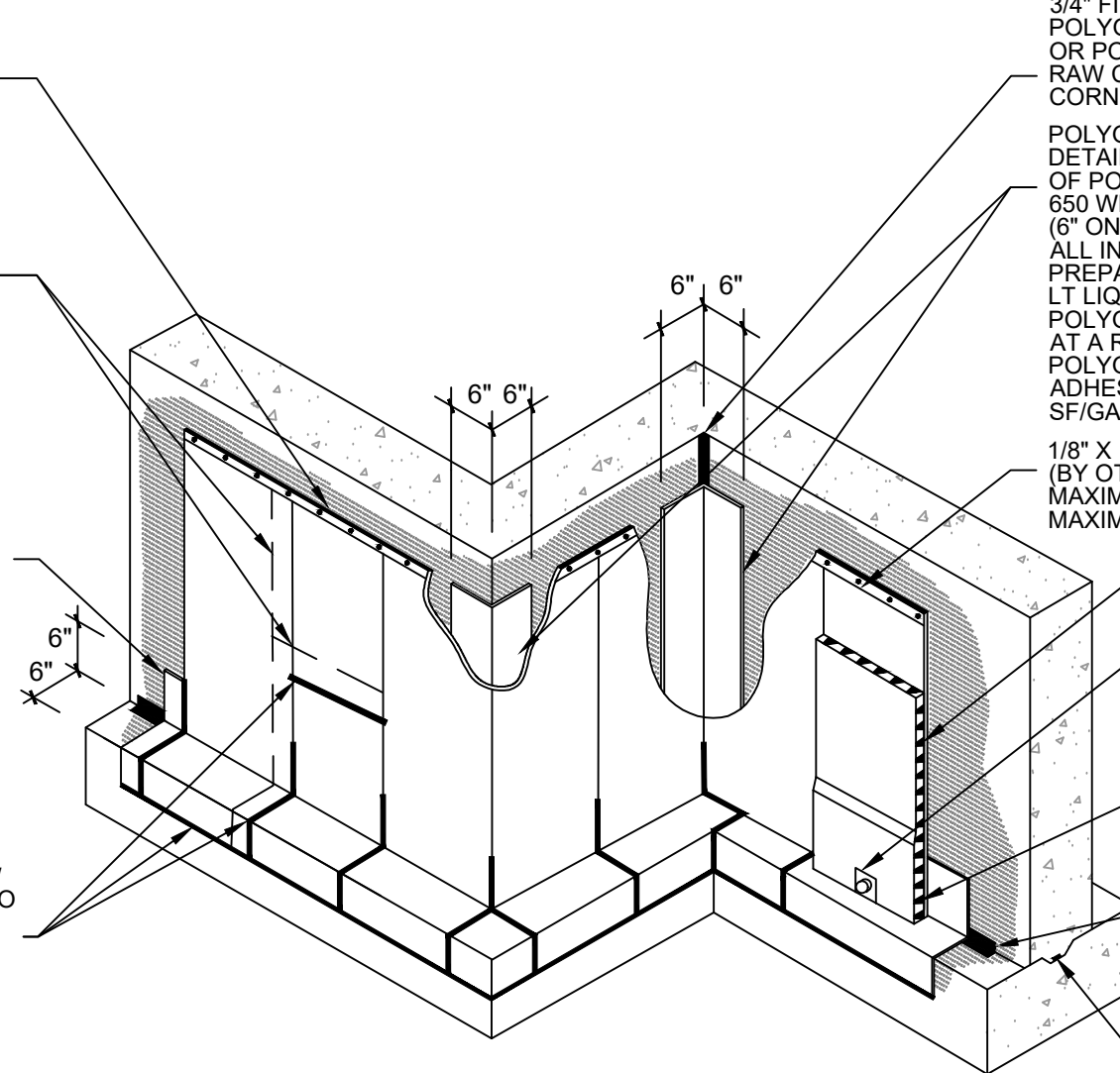
POLYGUARD POLYFLOW 15 / 15P SHEET-MOLDED DRAIN

POLYGUARD TOTALFLOW CONNECTORS - TEE AND END OUTLETS AVAILABLE

POLYGUARD TOTALFLOW HIGH-CAPACITY PERIMETER DRAIN

3/4" FILLET / CANT BEAD OF POLYGUARD DETAIL SEALANT PW OR LM-95 APPLIED TO RAW CONCRETE

WATERSTOP PER MANUFACTURES RECOMMENDATIONS (BY OTHERS)



WP3

OVERVIEW @ 650 MEMBRANE VERTICAL WALL APPLICATION

Polyguard Products, Inc.
P.O. Box 755 - Ennis, TX 75120
Phone: 214-515-5000
Web Site - www.polyguard.com

SPECIAL NOTE: IF ADHESIVE IS REQUIRED FOR SEAMS OR ENDLAPS DO NOT USE POLYGUARD 650 WB LIQUID ADHESIVE

©POLYGUARD PRODUCTS, INC.
MATERIAL SEPARATED FOR CLARITY

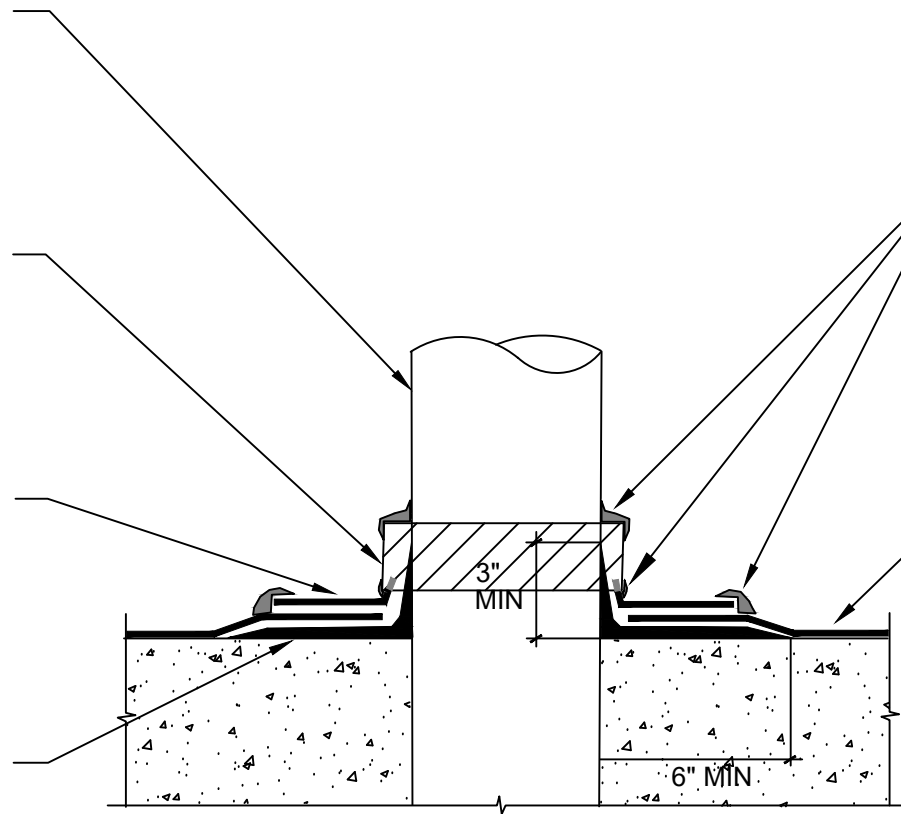
| | |
|--|-------------------------------|
| The information provided is based on data and knowledge considered to be true and accurate and is offered for the users' consideration, investigation and verification, but we do not warrant the results to be obtained. Please read all data sheets, statements, recommendations or suggestions in conjunction with our conditions of sale, which apply to all goods supplied by us. | NOT TO SCALE |
| | EFFECTIVE DATE: 12/16/2024 |
| | SUPERCEDES: 07/15/2024 |

SECURED PENETRATION MEMBER
CLEAN AND ABRAD 3" OF THE
BASE OF PENETRATION
SIDEWALLS. APPLY POLYGUARD
650 LT LIQUID ADHESIVE OR
POLYGUARD CALIFORNIA
SEALANT AT A RATE OF 250 - 300
SF/GAL OR POLYGUARD 650 WB
LIQUID ADHESIVE AT A RATE OF
350-400 SF/GAL TO SIDEWALLS

3" PIECE OF POLYGUARD
MEMBRANE: 650 OR 650 WRM
WRAPPED AROUND THE PIPE AND
TERMINATION OF TARGET PATCH
AND ONTO CURED POLYGUARD
LM-95 OR POLYGUARD DETAIL
SEALANT PW

TARGET PATCH OF POLYGUARD
MEMBRANE: 650, 650 PRM OR 650
WRM TO CREATE A TIGHT SEAL
AROUND PENETRATION

POLYGUARD DETAIL SEALANT PW
OR POLYGUARD LM-95 APPLY 6"
ON TO RAW CONCRETE AND 3"
ONTO ABRADDED AND PRIMED
PENETRATION



POLYGUARD DETAIL SEALANT
PW OR POLYGUARD LM-95
APPLIED TO TERMINAL EDGES
OF TARGET PATCH

FIELD SHEET OF POLYGUARD
MEMBRANE: 650, 650 PRM OR
650 WRM ROUGH FIT AROUND
PENETRATION APPLIED TO
SUBSTRATE PREPARED WITH
POLYGUARD 650 LT LIQUID
ADHESIVE OR POLYGUARD
CALIFORNIA SEALANT AT A
RATE OF 250 TO 300 SF/GAL OR
POLYGUARD 650 WB LIQUID
ADHESIVE APPLIED AT A RATE
OF 350 - 400 SF/GAL AND OVER
TOP OF POLYGUARD DETAIL
SEALANT PW OR POLYGUARD
LM-95

WP4

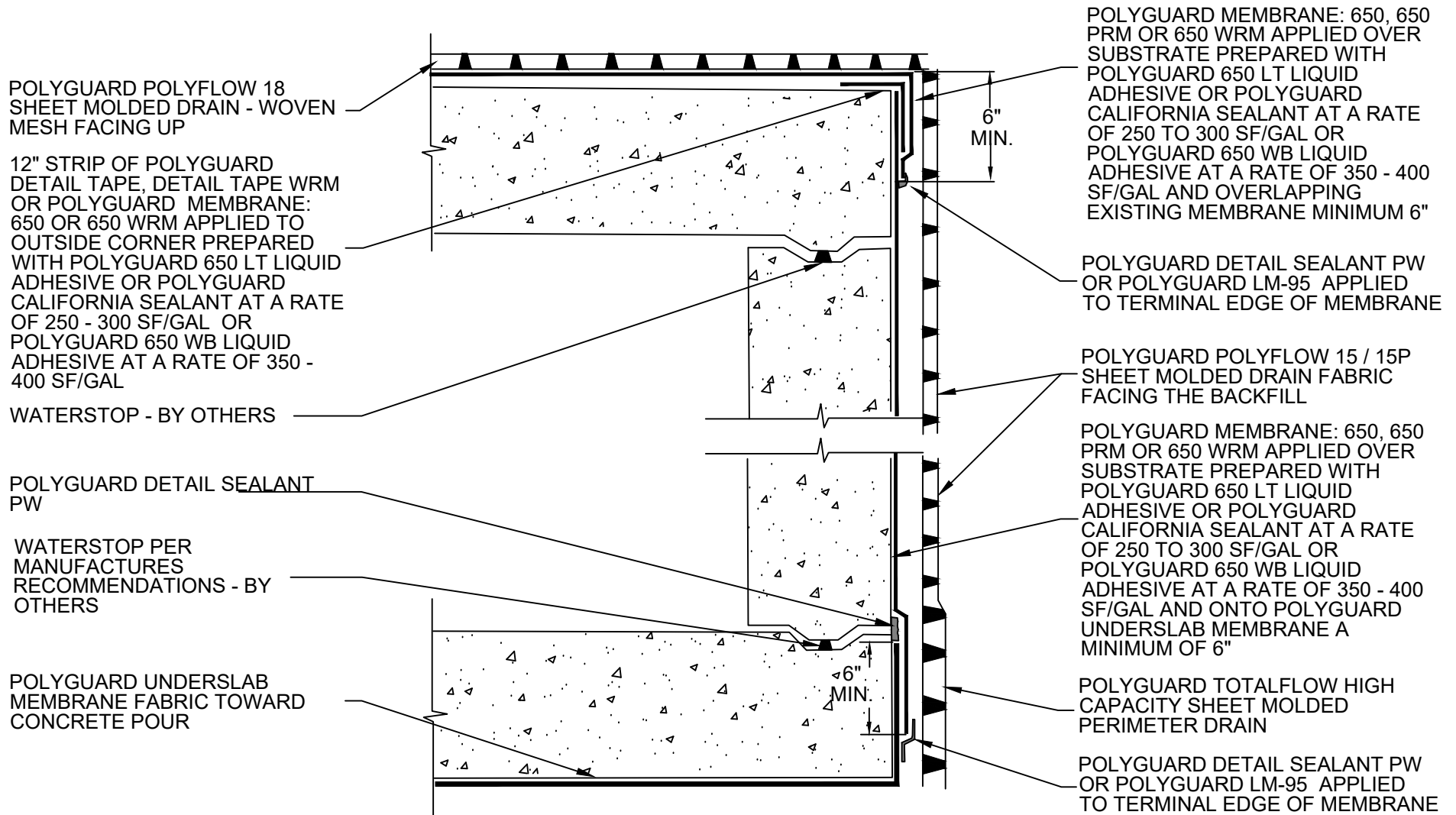
SECTION@ HORIZONTAL PENETRATION WATERPROOFING

©POLYGUARD PRODUCTS, INC.
MATERIAL SEPARATED FOR CLARITY

Polyguard Products, Inc.
P.O. Box 755 - Ennis, TX 75120
Phone: 214-515-5000
Web Site - www.polyguard.com

**SPECIAL NOTE: IF ADHESIVE IS REQUIRED FOR
SEAMS OR ENDLAPS DO NOT USE POLYGUARD
650 WB LIQUID ADHESIVE**

| | |
|---|-------------------------------|
| <small>The information provided is based on data and knowledge considered to be true and accurate and is offered for the users' consideration, investigation and verification, but we do not warrant the results to be obtained. Please read all data sheets, statements, recommendations or suggestions in conjunction with our conditions of sale, which apply to all goods supplied by us.</small> | NOT TO SCALE |
| | EFFECTIVE DATE: 12/16/2024 |
| | SUPERCEDES: 07/15/2024 |



WP5 SECTION@ TUNNEL WATERPROOFING

Polyguard Products, Inc.
P.O. Box 755 - Ennis, TX 75120
Phone: 214-515-5000
Web Site - www.polyguard.com

SPECIAL NOTE: IF ADHESIVE IS REQUIRED FOR SEAMS OR ENDLAPS DO NOT USE POLYGUARD 650 WB LIQUID ADHESIVE

©POLYGUARD PRODUCTS, INC.
MATERIAL SEPARATED FOR CLARITY

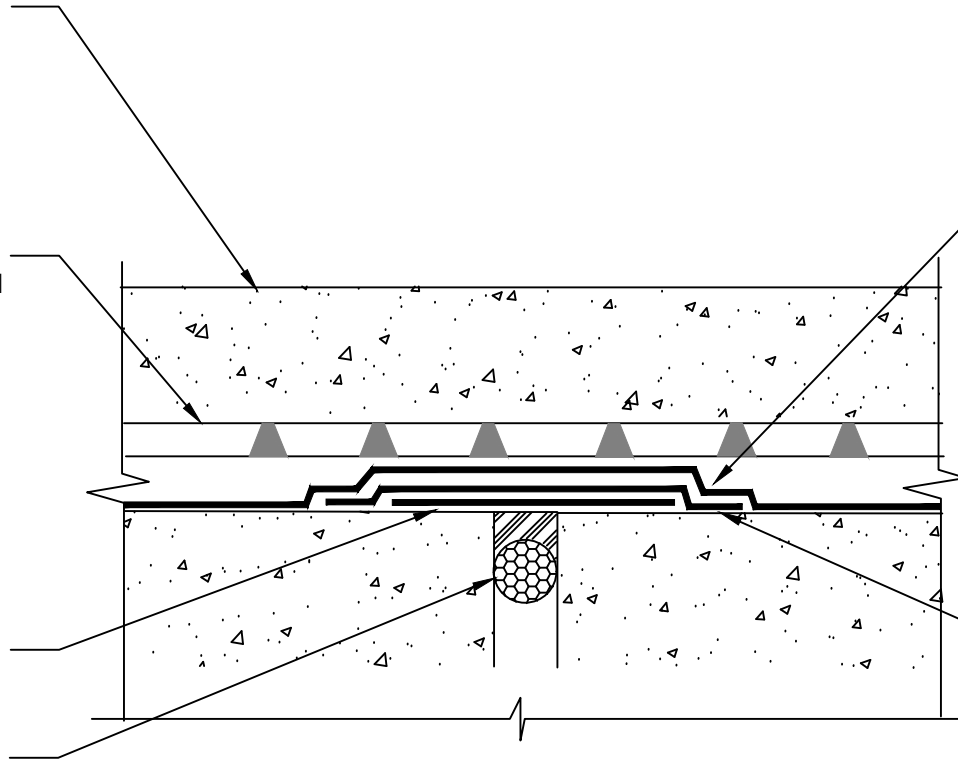
| | |
|--|-------------------------------|
| The information provided is based on data and knowledge considered to be true and accurate and is offered for the users' consideration, investigation and verification, but we do not warrant the results to be obtained. Please read all data sheets, statements, recommendations or suggestions in conjunction with our conditions of sale, which apply to all goods supplied by us. | NOT TO SCALE |
| | EFFECTIVE DATE: 12/16/2024 |
| | SUPERCEDES: 07/15/2024 |

TOPPING SLAB, PAVERS OR
THIN SET MORTAR TILE SYSTEM
AND EXPANSION JOINT BY
OTHERS

POLYGUARD POLYFLOW 18
SHEET MOLDED DRAIN MESH
FACING SHOULD FACE THE
TOPPING SLAB OR PROTECTION
BOARD

8" STRIP OF POLYGUARD
DETAIL TAPE, 650 WRM OR,
POLYGUARD MEMBRANE: 650,
650 WRM CUT AND INVERTED
AND CENTERED OVER JOINT
(ADHESIVE SIDE UP)

BACKER ROD AND SEALANT
BY OTHERS



FIELD COVERAGE OF
POLYGUARD MEMBRANE:
650, 650 PRM OR 650 WRM
APPLIED TO SUBSTRATE
PREPARED WITH
POLYGUARD 650 LT LIQUID
ADHESIVE OR POLYGUARD
CALIFORNIA SEALANT AT A
RATE OF 250 TO 300 SF/GAL
OR POLYGUARD 650 WB
LIQUID ADHESIVE AT A RATE
OF 350 - 400 SF/GAL

12" STRIP OF POLYGUARD
DETAIL TAPE OR DETAIL
TAPE WRM OR POLYGUARD
MEMBRANE: 650, 650 PRM
OR 650 WRM CENTERED
OVER 8 " INVERTED
MEMBRANE AND APPLIED TO
SUBSTRATE PREPARED
WITH POLYGUARD 650 LT
LIQUID ADHESIVE OR
POLYGUARD CALIFORNIA
SEALANT AT A RATE OF 250 -
300 SF/GAL OR POLYGUARD
650 WB LIQUID ADHESIVE AT
A RATE OF 350 TO 400
SF/GAL

WP6

SECTION@ HORIZONTAL EXPANSION JOINT COVER

Polyguard Products, Inc.
P.O. Box 755 - Ennis, TX 75120
Phone: 214-515-5000
Web Site - www.polyguard.com

**SPECIAL NOTE: IF ADHESIVE IS REQUIRED FOR
SEAMS OR ENDLAPS DO NOT USE POLYGUARD
650 WB LIQUID ADHESIVE**

©POLYGUARD PRODUCTS, INC.
MATERIAL SEPARATED FOR CLARITY

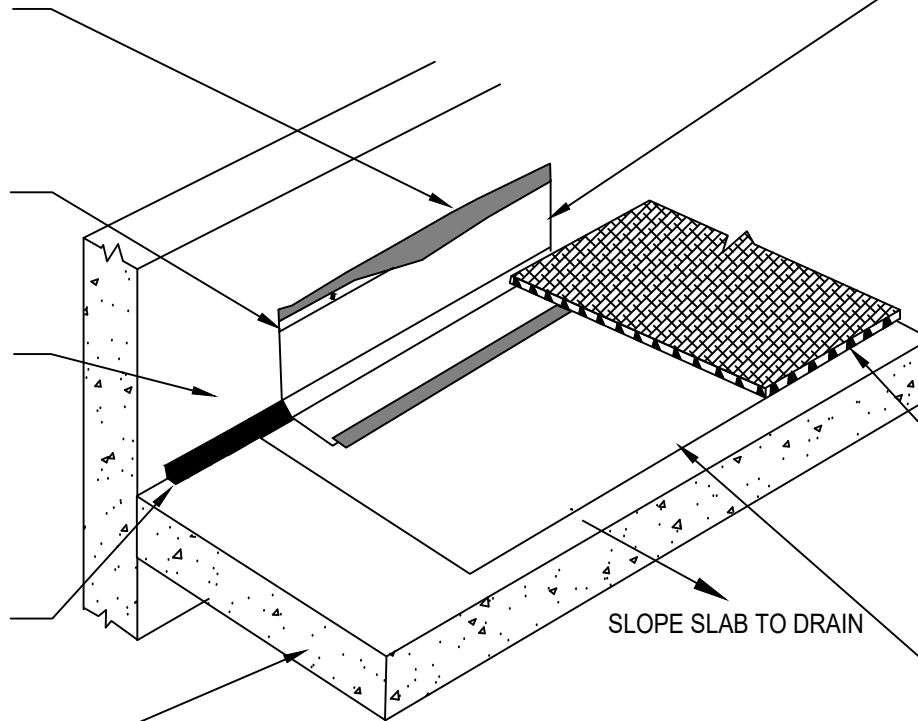
| | |
|--|-------------------------------|
| The information provided is based on data and knowledge considered to be true and accurate and is offered for the users' consideration, investigation and verification, but we do not warrant the results to be obtained. Please read all data sheets, statements, recommendations or suggestions in conjunction with our conditions of sale, which apply to all goods supplied by us. | NOT TO SCALE |
| | EFFECTIVE DATE: 12/16/2024 |
| | SUPERCEDES: 07/15/2024 |

POLYGUARD DETAIL SEALANT PW OR POLYGUARD LM95 APPLIED TO THE TOP OF THE TERMINATION BAR AND COVERING A MINIMUM 1/8" BEYOND PERIMETER OF FASTENER HEADS

1/8" X 1" METAL TERMINATION BAR FASTENED AT 8" SPACING AND 2" FROM EACH END - BY OTHERS

3/4" FILLET OF POLYGUARD DETAIL SEALANT PW OR POLYGUARD LM-95 APPLIED TO RAW CONCRETE

SUBSTRATE



12" PIECE OF POLYGUARD DETAIL TAPE OR DETAIL TAPE WRM OR CUT PIECE OF POLYGUARD MEMBRANE: 650 OR 650 WRM APPLIED TO INSIDE AND OUTSIDE CORNERS
PREPARE VERTICAL SUBSTRATE WITH POLYGUARD 650 LT LIQUID ADHESIVE OR POLYGUARD CALIFORNIA SEALANT AT A RATE OF 250 - 300 SF/GAL OR POLYGUARD 650 WB LIQUID ADHESIVE AT A RATE OF 350-400 SF/GAL AND ONTO EXISTING HORIZONTAL POLYGUARD MEMBRANE: 650, 650 PRM OR 650 WRM

POLYGUARD POLYFLOW 18 SHEET MOLDED DRAIN OR PROTECTION - WOVEN MESH FACING TOPPING SLAB

POLYGUARD MEMBRANE: 650, 650 PRM OR 650 WRM APPLIED TO HORIZONTAL SUBSTRATE PREPARED WITH POLYGUARD 650 LT LIQUID ADHESIVE OR POLYGUARD CALIFORNIA SEALANT AT A RATE OF 250 - 300 SF/GAL OR POLYGUARD 650 WB LIQUID ADHESIVE AT A RATE OF 350 - 400 SF/GAL - TERMINATING AT THE FILLET - SLOPE TO DRAIN

SLOPE SLAB TO DRAIN

WP7

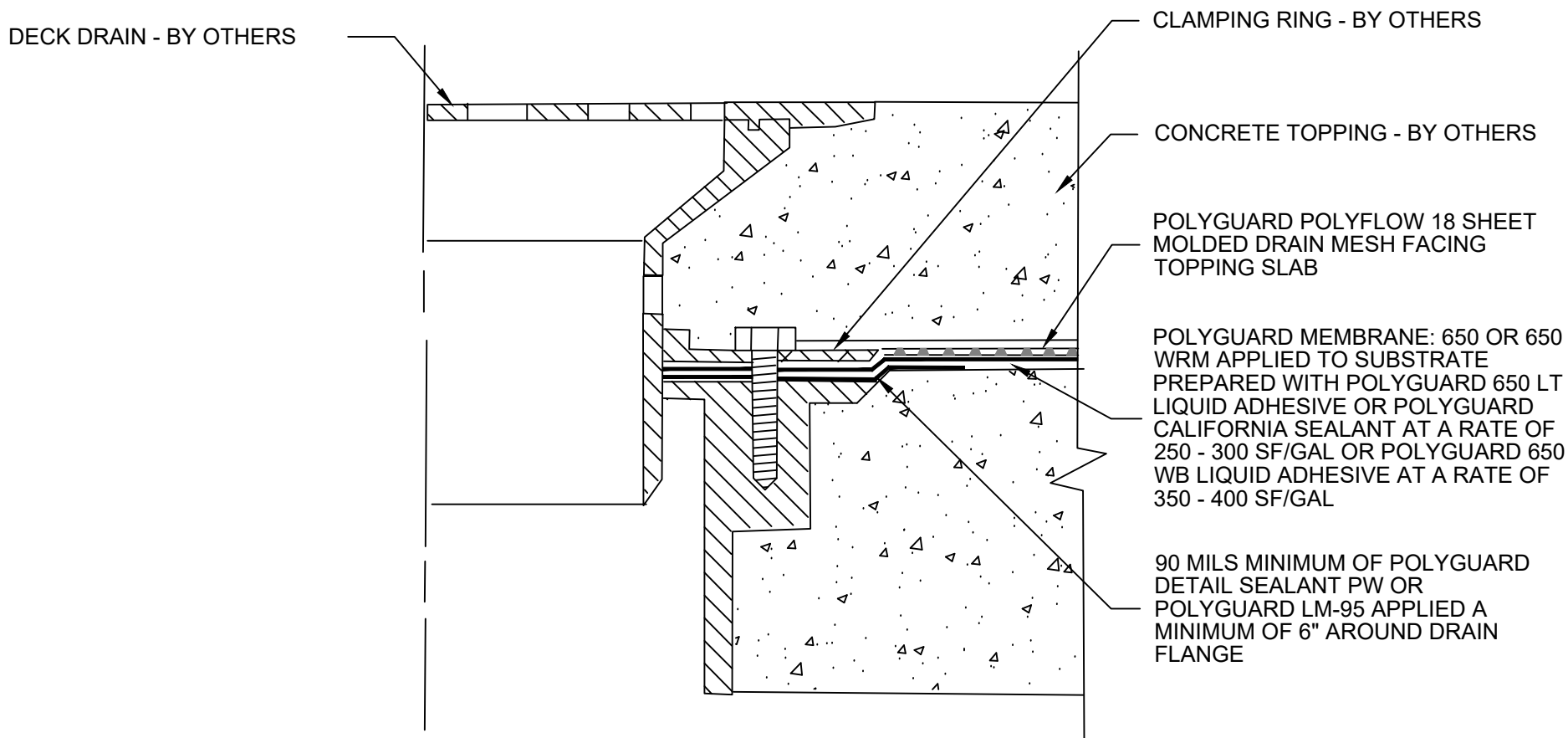
OVERVIEW @ HORIZONTAL SLAB AT WALL TERMINATION

Polyguard Products, Inc.
P.O. Box 755 - Ennis, TX 75120
Phone: 214-515-5000
Web Site - www.polyguard.com

SPECIAL NOTE: IF ADHESIVE IS REQUIRED FOR SEAMS OR ENDLAPS DO NOT USE POLYGUARD 650 WB LIQUID ADHESIVE

©POLYGUARD PRODUCTS, INC.
MATERIAL SEPARATED FOR CLARITY

| | |
|---|-------------------------------|
| <small>The information provided is based on data and knowledge considered to be true and accurate and is offered for the users' consideration, investigation and verification, but we do not warrant the results to be obtained. Please read all data sheets, statements, recommendations or suggestions in conjunction with our conditions of sale, which apply to all goods supplied by us.</small> | NOT TO SCALE |
| | EFFECTIVE DATE: 12/16/2024 |
| | SUPERCEDES: 07/15/2024 |



WP8

SECTION @ DUAL LEVEL DRAIN

Polyguard Products, Inc.
P.O. Box 755 - Ennis, TX 75120
Phone: 214-515-5000
Web Site - www.polyguard.com

SPECIAL NOTE: IF ADHESIVE IS REQUIRED FOR SEAMS OR ENDLAPS DO NOT USE POLYGUARD 650 WB LIQUID ADHESIVE

©POLYGUARD PRODUCTS, INC.
MATERIAL SEPARATED FOR CLARITY

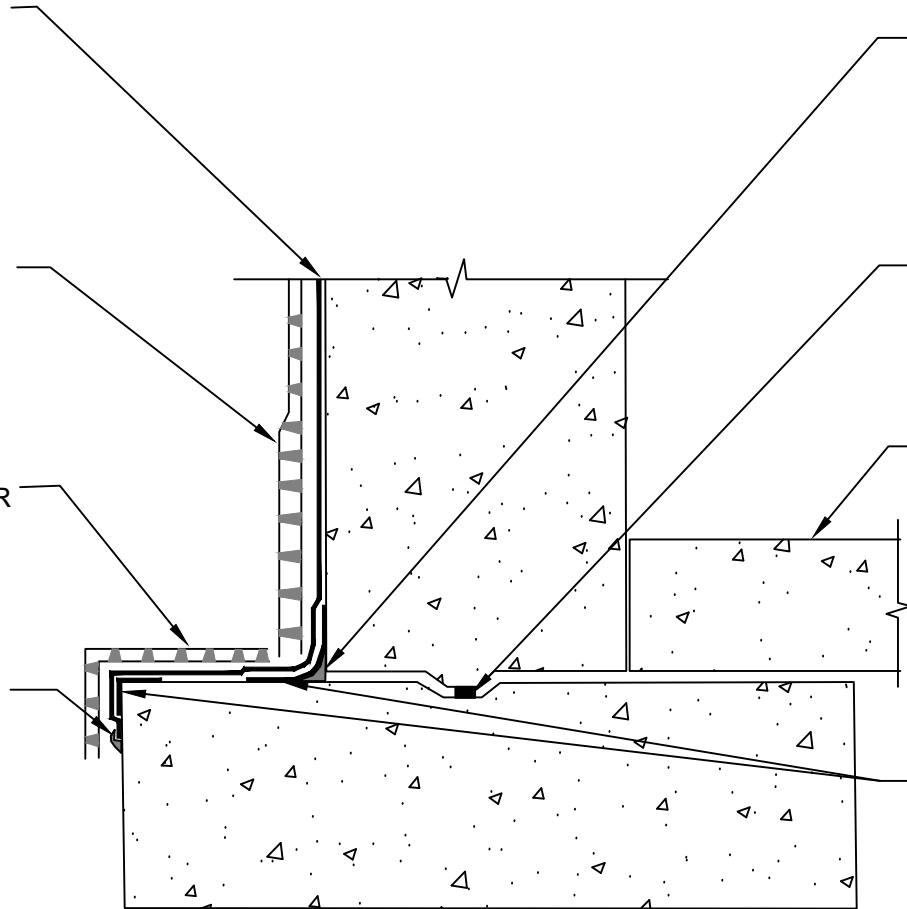
| | |
|---|-------------------------------|
| <small>The information provided is based on data and knowledge considered to be true and accurate and is offered for the users' consideration, investigation and verification, but we do not warrant the results to be obtained. Please read all data sheets, statements, recommendations or suggestions in conjunction with our conditions of sale, which apply to all goods supplied by us.</small> | NOT TO SCALE |
| | EFFECTIVE DATE: 12/16/2024 |
| | SUPERCEDES: 07/15/2024 |

POLYGUARD MEMBRANE: 650, 650 PRM OR 650 WRM APPLIED TO SUBSTRATE PREPARED WITH POLYGUARD 650 LT LIQUID ADHESIVE OR, POLYGUARD CALIFORNIA SEALANT AT A RATE OF 250 - 300 SF/GAL OR POLYGUARD 650 WB LIQUID ADHESIVE AT A RATE OF 350 - 400 SF/GAL

POLYGUARD TOTALFLOW HIGH CAPACITY PERIMETER DRAIN - FABRIC FACING BACKFILL AND CONNECTS TO THE POLYGUARD POLYFLOW 15 / 15P SHEET MOLDED DRAIN CONTINUED UP THE WALL

POLYGUARD POLYFLOW 15 / 15P SHEET MOLDED DRAIN FABRIC FACING BACKFILL - PRIMARILY FOR PROTECTION OF THE MEMBRANE

POLYGUARD DETAIL SEALANT PW OR POLYGUARD LM-95 APPLIED TO TERMINAL EDGE OF MEMBRANE



3/4" FILLET OF POLYGUARD DETAIL SEALANT PW OR POLYGUARD LM-95 APPLIED TO INSIDE CORNERS VERTICALLY AND HORIZONTALLY TO RAW CONCRETE - ALLOW POLYGUARD DETAIL SEALANT PW TO CURE FOR 2 HOURS PRIOR TO SHEET APPLICATION

WATERSTOP PER MANUFACTURES RECOMMENDATIONS - BY OTHERS

TOP OF INTERIOR FLOOR HEIGHT 12" AND UNDER FROM TOP OF FOOTER - WATERPROOF AS SHOWN - IF FOOTER IS POURED IN PLACE FOOTER MEMBRANE MUST BE CARRIED OUT 12" AND TERMINATED WITH TERMINATION BAR AND SEALED WITH POLYGUARD DETAIL SEALANT PW OR POLYGUARD LM-95

12" STRIP OF POLYGUARD DETAIL TAPE OR DETAIL TAPE WRM OR 12' PIECE OF POLYGUARD MEMBRANE: 650 OR 650 WRM APPLIED TO INSIDE AND OUTSIDE CORNERS - PREPARE SUBSTRATE WITH POLYGUARD 650 LT LIQUID ADHESIVE OR POLYGUARD CALIFORNIA SEALANT AT A RATE OF 250 - 300 SF/GAL OR POLYGUARD 650 WB LIQUID ADHESIVE AT A RATE OF 350 - 400 SF/GAL

WP9

SECTION @ TOP OF INTERIOR FLOOR IS 12" AND UNDER FROM TOP OF FOOTER

| | |
|--|-------------------------------|
| The information provided is based on data and knowledge considered to be true and accurate and is offered for the users' consideration, investigation and verification, but we do not warrant the results to be obtained. Please read all data sheets, statements, recommendations or suggestions in conjunction with our conditions of sale, which apply to all goods supplied by us. | NOT TO SCALE |
| | EFFECTIVE DATE: 12/16/2024 |
| | SUPERCEDES: 07/15/2024 |

POLYGUARD MEMBRANE: 650, 650 PRM OR 650 WRM APPLIED TO SUBSTRATE PREPARED WITH POLYGUARD 650 LT LIQUID ADHESIVE OR POLYGUARD CALIFORNIA SEALANT AT A RATE OF 250 - 300 SF/GAL OR POLYGUARD 650 WB LIQUID ADHESIVE AT A RATE OF 350 - 400 SF/GAL

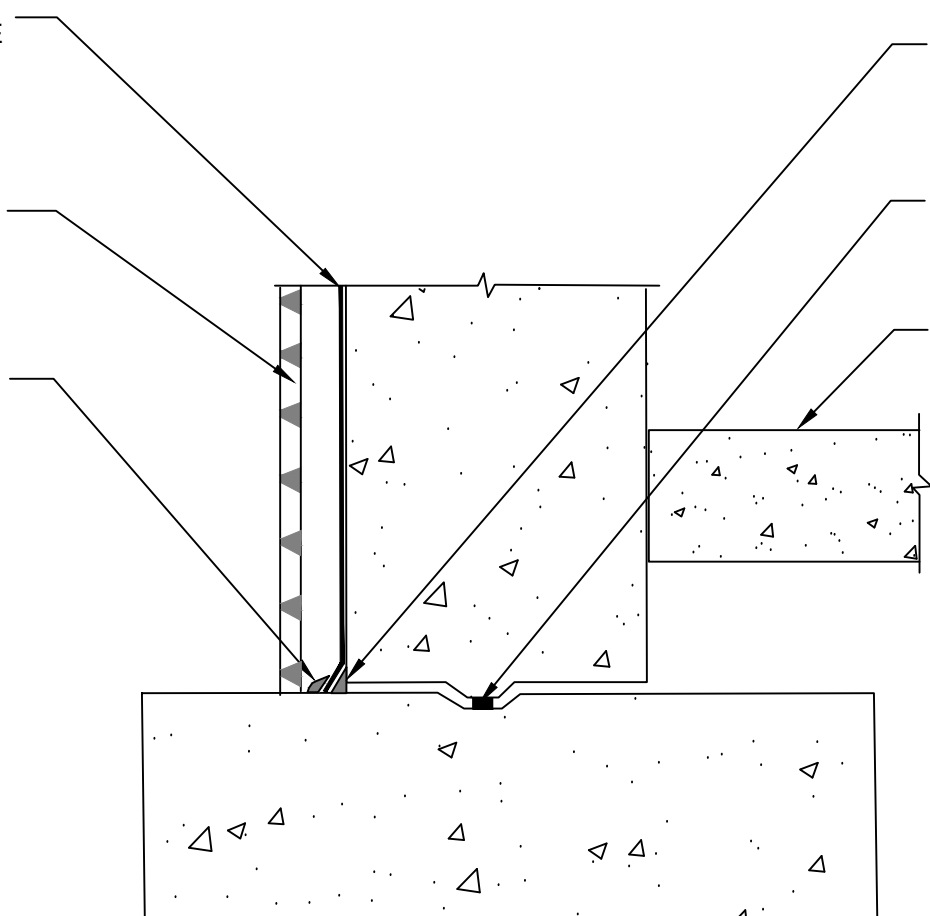
POLYGUARD POLYFLOW 15 /15P SHEET MOLDED DRAIN FABRIC FACING BACKFILL

POLYGUARD DETAIL SEALANT PW OR POLYGUARD LM-95 APPLIED TO TERMINAL EDGE OF MEMBRANE

3/4" FACE OF POLYGUARD DETAIL SEALANT PW OR POLYGUARD LM-95 FILLET /CANT

WATERSTOP PER MANUFACTURES RECOMMENDATION - BY OTHERS

TOP OF INTERIOR FLOOR HEIGHT IS GREATER THAN 12" ABOVE TOP OF FOOTER



WP10

SECTION @ TOP OF INTERIOR FLOOR IS GREATER THAN 12" ABOVE TOP OF FOOTER

Polyguard Products, Inc.
P.O. Box 755 - Ennis, TX 75120
Phone: 214-515-5000
Web Site - www.polyguard.com

SPECIAL NOTE: IF ADHESIVE IS REQUIRED FOR SEAMS OR ENDLAPS DO NOT USE POLYGUARD 650 WB LIQUID ADHESIVE

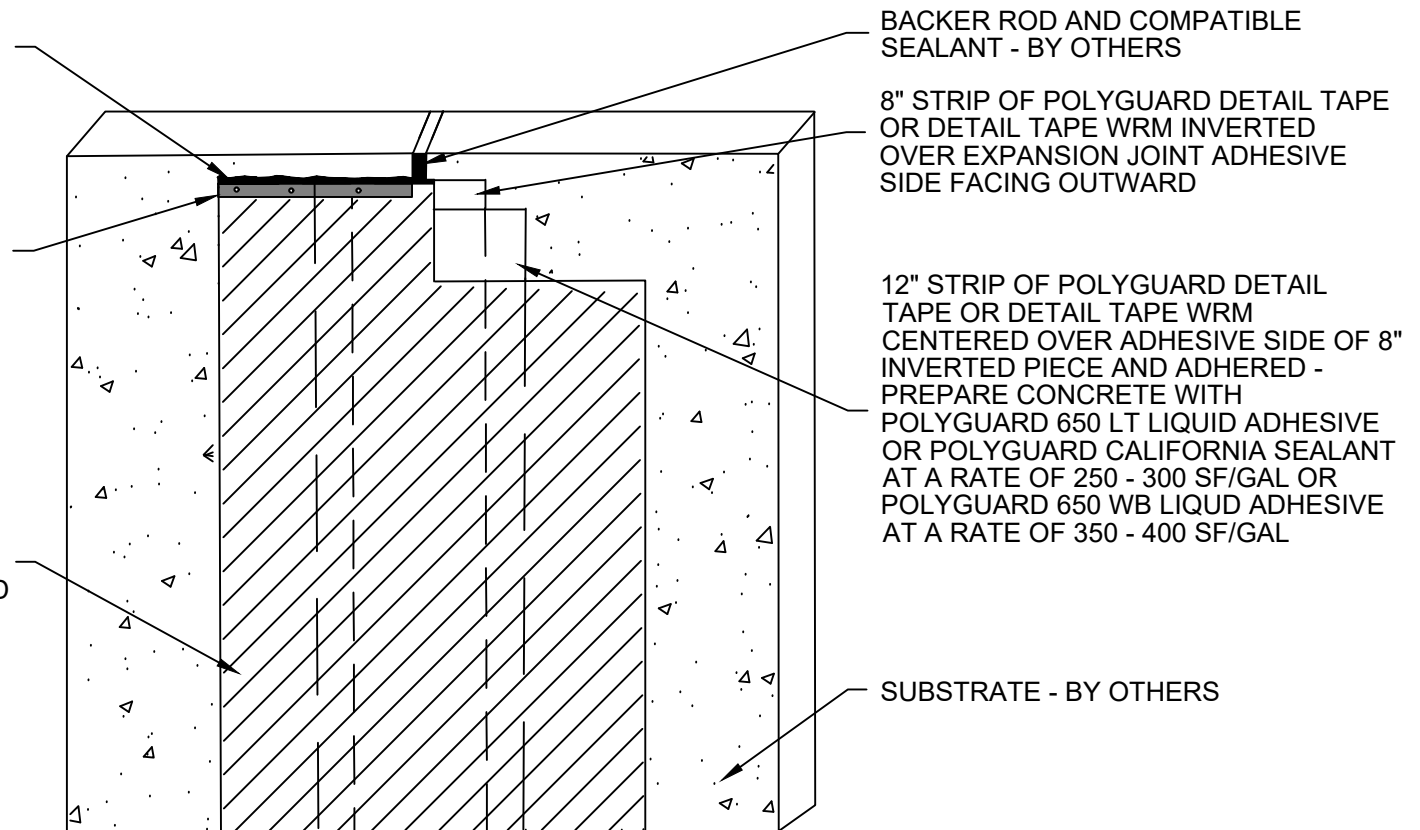
©POLYGUARD PRODUCTS, INC.
MATERIAL SEPARATED FOR CLARITY

| | |
|---|-------------------------------|
| <small>The information provided is based on data and knowledge considered to be true and accurate and is offered for the users' consideration, investigation and verification, but we do not warrant the results to be obtained. Please read all data sheets, statements, recommendations or suggestions in conjunction with our conditions of sale, which apply to all goods supplied by us.</small> | NOT TO SCALE |
| | EFFECTIVE DATE: 12/16/2024 |
| | SUPERCEDES: 07/15/2024 |

POLYGUARD DETAIL SEALANT PW OR POLYGUARD LM 95 APPLIED TO THE TOP EDGE OF TERMINATION BAR AND TO COVER MINIMUM 1/8" BEYOND PERIMETER OF FASTENER HEADS

1/8" X 1" METAL TERMINATION BAR FASTENED AT 8" SPACING AND 2" FROM EACH END BUT NOT ACROSS THE JOINT - BY OTHERS

FIELD SHEET OF POLYGUARD MEMBRANE: 650, 650 PRM OR 650 WRM APPLIED OVER THE 12" STRIP OF POLYGUARD DETAIL TAPE OR DETAIL TAPE WRM - PREPARE SUBSTRATE WITH POLYGUARD 650 LT LIQUID ADHESIVE OR POLYGUARD CALIFORNIA SEALANT AT A RATE OF 250 TO 300 SF/GAL OR POLYGUARD 650 WB LIQUID ADHESIVE AT A RATE OF 350 - 400 SF/GAL



BACKER ROD AND COMPATIBLE SEALANT - BY OTHERS

8" STRIP OF POLYGUARD DETAIL TAPE OR DETAIL TAPE WRM INVERTED OVER EXPANSION JOINT ADHESIVE SIDE FACING OUTWARD

12" STRIP OF POLYGUARD DETAIL TAPE OR DETAIL TAPE WRM CENTERED OVER ADHESIVE SIDE OF 8" INVERTED PIECE AND ADHERED - PREPARE CONCRETE WITH POLYGUARD 650 LT LIQUID ADHESIVE OR POLYGUARD CALIFORNIA SEALANT AT A RATE OF 250 - 300 SF/GAL OR POLYGUARD 650 WB LIQUID ADHESIVE AT A RATE OF 350 - 400 SF/GAL

SUBSTRATE - BY OTHERS

WP11

SECTION @ VERTICAL WALL EXPANSION JOINT COVER

Polyguard Products, Inc.
P.O. Box 755 - Ennis, TX 75120
Phone: 214-515-5000
Web Site - www.polyguard.com

SPECIAL NOTE: IF ADHESIVE IS REQUIRED FOR SEAMS OR ENDLAPS DO NOT USE POLYGUARD 650 WB LIQUID ADHESIVE

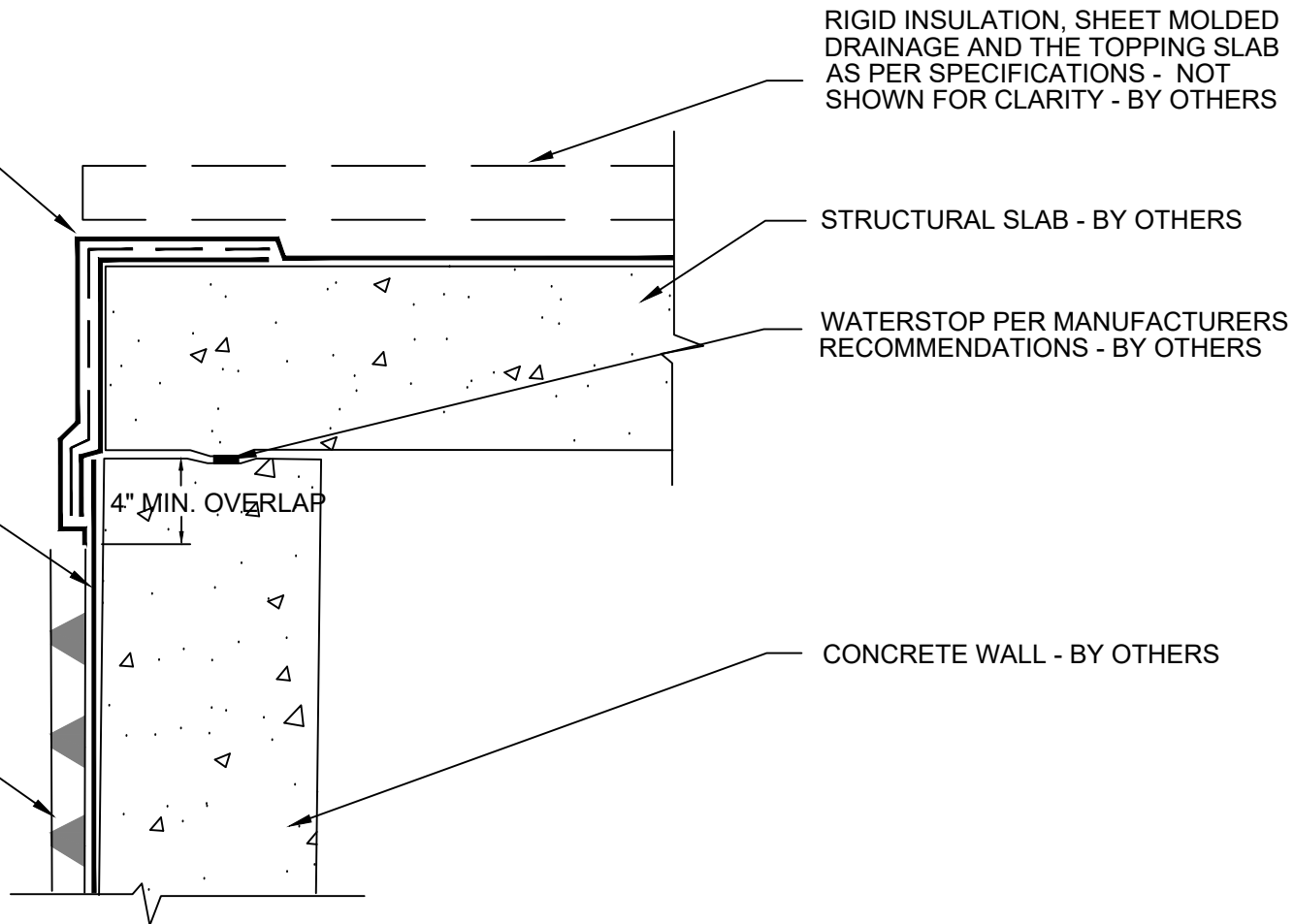
©POLYGUARD PRODUCTS, INC.
MATERIAL SEPARATED FOR CLARITY

| | |
|---|-------------------------------|
| <small>The information provided is based on data and knowledge considered to be true and accurate and is offered for the users' consideration, investigation and verification, but we do not warrant the results to be obtained. Please read all data sheets, statements, recommendations or suggestions in conjunction with our conditions of sale, which apply to all goods supplied by us.</small> | NOT TO SCALE |
| | EFFECTIVE DATE: 12/16/2024 |
| | SUPERCEDES: 07/15/2024 |

HOT APPLIED RUBBERIZED WATERPROOFING SYSTEM BRUSH ON THE VERTICAL LEG - APPLY NEOPRENE SHEET - COMPLETE HOT APPLICATION PER MANUFACTURES SPECIFICATION - BY OTHERS

POLYGUARD MEMBRANE: 650, 650 PRM OR 650 WRM APPLIED TO SUBSTRATE PREPARED WITH POLYGUARD 650 LT LIQUID ADHESIVE OR POLYGUARD CALIFORNIA SEALANT AT A RATE OF 250 - 300 SF/GAL OR POLYGUARD 650 WB LIQUID ADHESIVE AT A RATE OF 350 TO 400 SF/GAL - REMOVE 4" OF HDPE TO ADHERE THE HOT APPLIED TO THE EXPOSED ASPHALT COMPOUND

POLYGUARD POLYFLOW 15 /15P SHEET MOLDED DRAIN - FABRIC FACING BACKFILL



WP12

SECTION @ HOT APPLIED RUBBER TIE IN TO SELF ADHERED MEMBRANE

©POLYGUARD PRODUCTS, INC.
MATERIAL SEPARATED FOR CLARITY

Polyguard Products, Inc.
P.O. Box 755 - Ennis, TX 75120
Phone: 214-515-5000
Web Site - www.polyguard.com

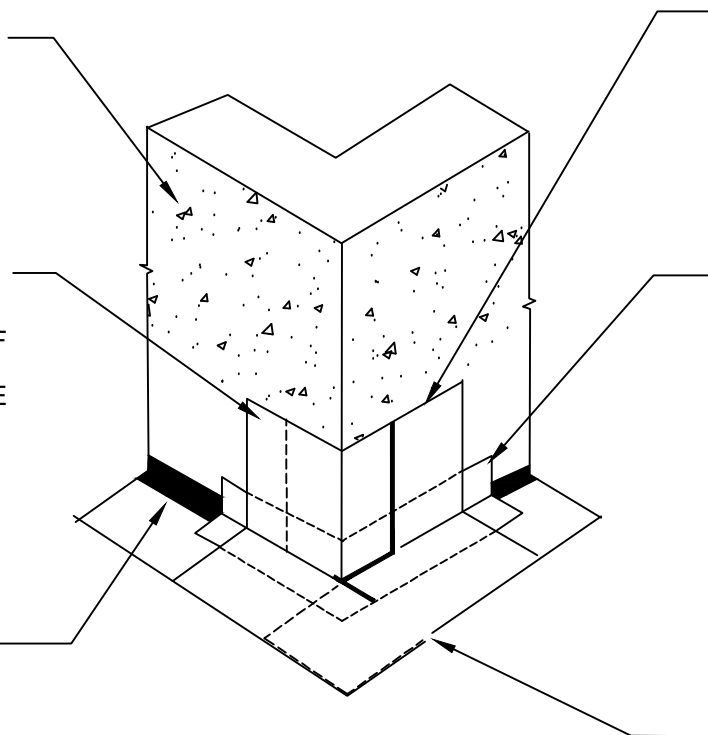
SPECIAL NOTE: IF ADHESIVE IS REQUIRED FOR SEAMS OR ENDLAPS DO NOT USE POLYGUARD 650 WB LIQUID ADHESIVE

| | |
|---|-------------------------------|
| <small>The information provided is based on data and knowledge considered to be true and accurate and is offered for the users' consideration, investigation and verification, but we do not warrant the results to be obtained. Please read all data sheets, statements, recommendations or suggestions in conjunction with our conditions of sale, which apply to all goods supplied by us.</small> | NOT TO SCALE |
| | EFFECTIVE DATE: 12/16/2024 |
| | SUPERCEDES: 07/15/2024 |

CONCRETE SUBSTRATE - BY OTHERS

PIECE OF POLYGUARD MEMBRANE: 650 OR 650 WRM CUT AND FIT TO OUTSIDE CORNER - APPLIED OVER SUBSTRATE PREPARED WITH POLYGUARD 650 LT LIQUID ADHESIVE OR POLYGUARD CALIFORNIA SEALANT AT A RATE OF 250 - 300 SF/GAL OR POLYGUARD 650 WB LIQUID ADHESIVE AT A RATE OF 350 - 400 SF/GAL

3/4" FILLET OF POLYGUARD DETAIL SEALANT PW OR POLYGUARD LM-95 APPLIED TO INSIDE CORNERS VERTICALLY AND HORIZONTALLY TO RAW CONCRETE - ALLOW POLYGUARD DETAIL SEALANT PW TO CURE FOR 2 HOURS PRIOR TO SHEET APPLICATION



PIECE OF POLYGUARD MEMBRANE: 650 OR 650 WRM CUT AND FIT TO OUTSIDE CORNER - APPLIED OVER SUBSTRATE PREPARED WITH POLYGUARD 650 LT LIQUID ADHESIVE OR POLYGUARD CALIFORNIA SEALANT AT A RATE OF 250 - 300 SF/GAL OR POLYGUARD 650 WB LIQUID ADHESIVE AT A RATE OF 350 - 400 SF/GAL

12" STRIP OF POLYGUARD DETAIL TAPE OR DETAIL TAPE WRM OR CUT PIECE OF POLYGUARD MEMBRANE: 650 OR 650 WRM APPLIED TO INSIDE AND OUTSIDE CORNERS - PREPARE SUBSTRATE WITH POLYGUARD 650 LT LIQUID ADHESIVE OR POLYGUARD CALIFORNIA SEALANT AT A RATE OF 250 - 300 SF/GAL OR POLYGUARD 650 WB LIQUID ADHESIVE AT A RATE OF 350 - 400 SF/GAL

POLYGUARD DETAIL SEALANT PW OR POLYGUARD LM-95 APPLIED TO CUT EDGE AND TERMINATIONS OF POLYGUARD 650 MEMBRANE



OVERVIEW @ FIELD FORMED SELF ADHERED OUTSIDE CORNER

Polyguard Products, Inc.
P.O. Box 755 - Ennis, TX 75120
Phone: 214-515-5000
Web Site - www.polyguard.com

SPECIAL NOTE: IF ADHESIVE IS REQUIRED FOR SEAMS OR ENDLAPS DO NOT USE POLYGUARD 650 WB LIQUID ADHESIVE

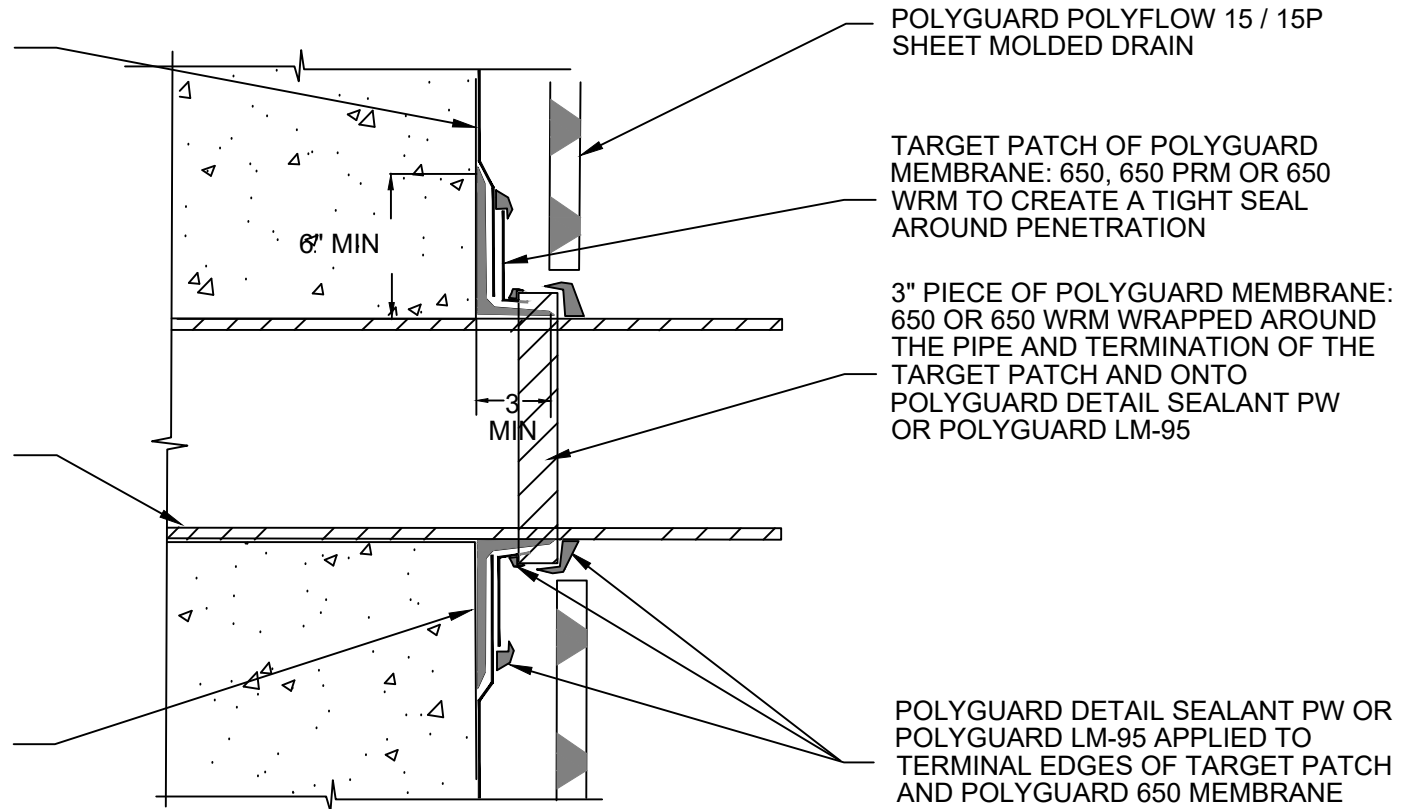
©POLYGUARD PRODUCTS, INC.
MATERIAL SEPARATED FOR CLARITY

| | |
|---|-------------------------------|
| <small>The information provided is based on data and knowledge considered to be true and accurate and is offered for the users' consideration, investigation and verification, but we do not warrant the results to be obtained. Please read all data sheets, statements, recommendations or suggestions in conjunction with our conditions of sale, which apply to all goods supplied by us.</small> | NOT TO SCALE |
| | EFFECTIVE DATE: 12/16/2024 |
| | SUPERCEDES: 07/15/2024 |

FIELD POLYGUARD MEMBRANE:
650, 650 PRM OR 650 WRM ROUGH
FIT AROUND PENETRATION AND
ONTO SUBSTRATE PREPARED
WITH POLYGUARD 650 LT LIQUID
ADHESIVE OR POLYGUARD
CALIFORNIA SEALANT AT A RATE
OF 250 - 300 SF/GAL OR
POLYGUARD 650 WB LIQUID
ADHESIVE AT A RATE OF 350 - 400
SF/GAL

SECURED PENETRATION MEMBER
CLEAN AND ABRASE 3" OF THE
BASE OF PENETRATION
SIDEWALLS - APPLY POLYGUARD
650 LT LIQUID ADHESIVE OR
POLYGUARD CALIFORNIA SEALANT
AT A RATE OF 250 -300 SQ/GAL OR
POLYGUARD 650 WB LIQUID
ADHESIVE AT A RATE OF 350 - 400
SF/GAL TO PENETRATION
SIDEWALL

POLYGUARD DETAIL SEALANT PW
OR POLYGUARD LM-95 APPLIED 6"
ONTO RAW CONCRETE AND 3"
ONTO ABRASED PENETRATION.



POLYGUARD POLYFLOW 15 / 15P
SHEET MOLDED DRAIN

TARGET PATCH OF POLYGUARD
MEMBRANE: 650, 650 PRM OR 650
WRM TO CREATE A TIGHT SEAL
AROUND PENETRATION

3" PIECE OF POLYGUARD MEMBRANE:
650 OR 650 WRM WRAPPED AROUND
THE PIPE AND TERMINATION OF THE
TARGET PATCH AND ONTO
POLYGUARD DETAIL SEALANT PW
OR POLYGUARD LM-95

POLYGUARD DETAIL SEALANT PW OR
POLYGUARD LM-95 APPLIED TO
TERMINAL EDGES OF TARGET PATCH
AND POLYGUARD 650 MEMBRANE

WP14 SECTION @ VERTICAL WALL PENETRATION

Polyguard Products, Inc.
P.O. Box 755 - Ennis, TX 75120
Phone: 214-515-5000
Web Site - www.polyguard.com

**SPECIAL NOTE: IF ADHESIVE IS REQUIRED FOR
SEAMS OR ENDLAPS DO NOT USE 650 WB
LIQUID ADHESIVE**

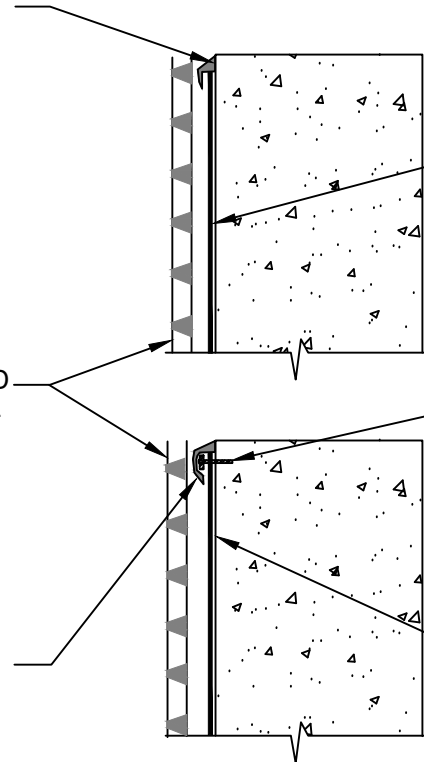
©POLYGUARD PRODUCTS, INC.
MATERIAL SEPARATED FOR CLARITY

| | |
|---|-------------------------------|
| <small>The information provided is based on data and knowledge considered to be true and accurate and is offered for the users' consideration, investigation and verification, but we do not warrant the results to be obtained. Please read all data sheets, statements, recommendations or suggestions in conjunction with our conditions of sale, which apply to all goods supplied by us.</small> | NOT TO SCALE |
| | EFFECTIVE DATE: 12/16/2024 |
| | SUPERCEDES: 07/15/2024 |

POLYGUARD DETAIL SEALANT OR
POLYGUARD LM-95 APPLIED TO THE TOP
TERMINAL EDGE

POLYGUARD POLYFLOW 15 / 15P MOLDED
SHEET DRAIN - FABRIC FACING BACKFILL

POLYGUARD DETAIL SEALANT PW OR
POLYGUARD LM-95 APPLIED TO THE TOP
OF THE TERMINATION BAR AND
COVERING MINIMUM 1/8" BEYOND
PERIMETER OF FASTENER HEADS



POLYGUARD MEMBRANE: 650, 650 PRM OR 650 WRM
APPLIED TO SUBSTRATE PREPARED WITH
POLYGUARD 650 LT LIQUID ADHESIVE OR POLYGUARD
CALIFORNIA SEALANT AT A RATE OF 250 -300 SF/GAL
OR POLYGUARD 650 WB LIQUID ADHESIVE AT A RATE
OF 350 TO 400 SF/GAL

1/8" X 1" METAL TERMINATION BAR FASTENED AT 8"
SPACING AND 2" FROM EACH END - TERM BAR
RECOMMENDED BY POLYGUARD - BY OTHERS

POLYGUARD MEMBRANE: 650, 650 PRM OR 650 WRM
APPLIED TO SUBSTRATE PREPARED WITH POLYGUARD
650 LT LIQUID ADHESIVE OR POLYGUARD CALIFORNIA
SEALANT AT A RATE OF 250 - 300 SF/GAL OR
POLYGUARD 650 WB LIQUID ADHESIVE AT A RATE OF
350 TO 400 SF/GAL

WP15

SECTION @ TOP OF WALL TERMINATION OPTIONS

Polyguard Products, Inc.
P.O. Box 755 - Ennis, TX 75120
Phone: 214-515-5000
Web Site - www.polyguard.com

**SPECIAL NOTE: IF ADHESIVE IS REQUIRED FOR
SEAMS OR ENDLAPS DO NOT USE POLYGUARD
650 WB LIQUID ADHESIVE**

©POLYGUARD PRODUCTS, INC.
MATERIAL SEPARATED FOR CLARITY

| | |
|---|-------------------------------|
| <small>The information provided is based on data and knowledge considered to be true and accurate and is offered for the users' consideration, investigation and verification, but we do not warrant the results to be obtained. Please read all data sheets, statements, recommendations or suggestions in conjunction with our conditions of sale, which apply to all goods supplied by us.</small> | NOT TO SCALE |
| | EFFECTIVE DATE: 12/16/2024 |
| | SUPERCEDES: 07/15/2024 |