

FIELD SHEET OF POLYGUARD 650 MEMBRANE

REPAIR DAMAGED AREAS, FISHMOUTH AND BUBBLES LARGER THAN 4" IN DIAMETER. REMOVE ANY MATERIAL THAT DOES NOT ALLOW PATCH TO BE FULLY ADHERED OR LAY FLAT

APPLY A PATCH OF POLYGUARD 650 MEMBRANE 6" LARGER THAN DAMAGE IN ALL DIRECTIONS TO EXISTING MEMBRANE PREPARED WITH POLYGUARD 650 LT LIQUID ADHESIVE OR POLYGUARD CALIFORNIA SEALANT APPLIED AT A RATE OF 250 - 300 SF/GAL OR POLYGUARD 650 WB LIQUID ADHESIVE AT A RATE OF 350 - 400 SF/GAL

POLYGUARD DETAIL SEALANT PW OR POLYGUARD LM-95 LIQUID MEMBRANE APPLIED TO PATCH PERIMETER EDGES TO 30 MIL THICKNESS AND 1" TO EACH SIDE OF THE EDGE

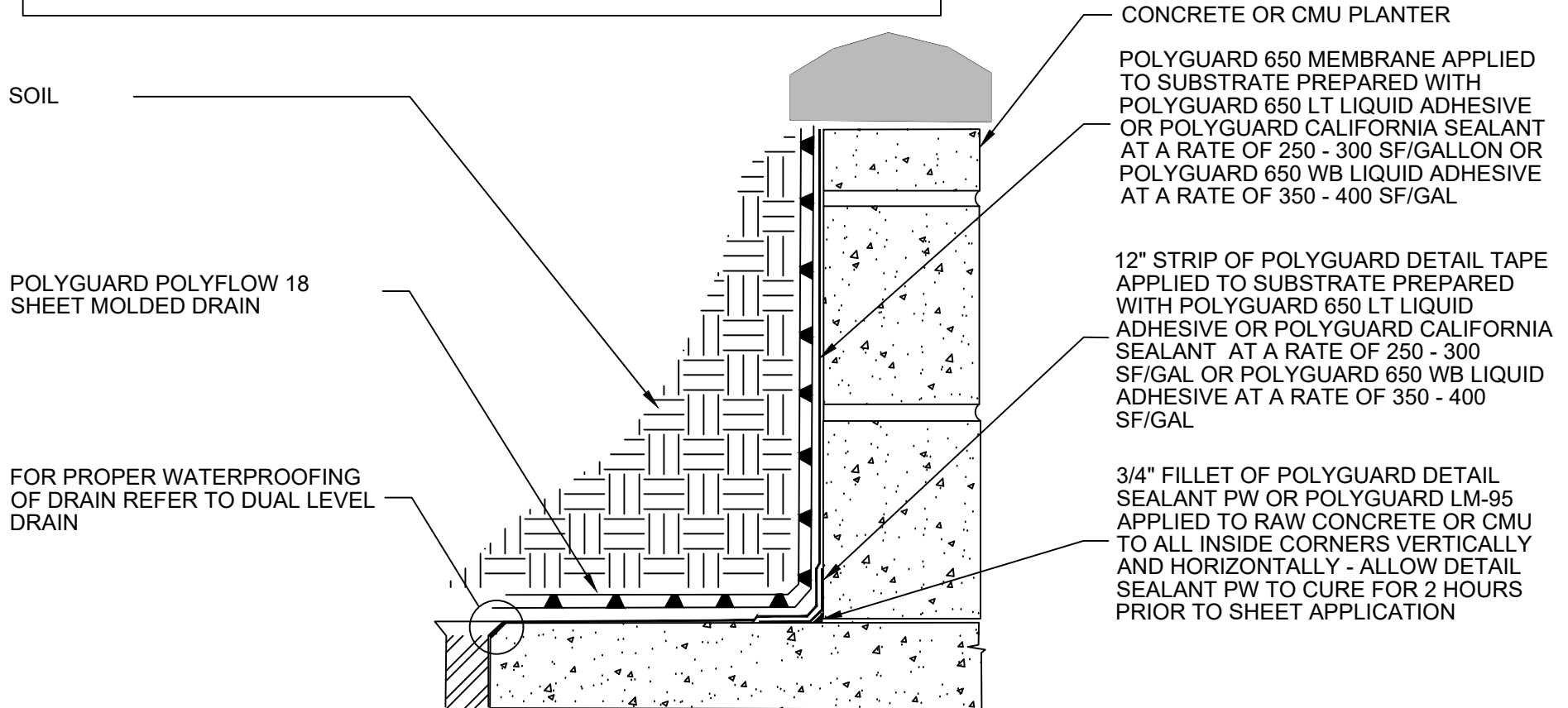
WP1

OVERVIEW @ SELF-ADHERED REPAIR PATCH

SPECIAL NOTE: IF ADHESIVE IS REQUIRED FOR SEAMS OR ENDLAPS DO NOT USE POLYGUARD 650 WB LIQUID ADHESIVE

<small>The information provided is based on data and knowledge considered to be true and accurate and is offered for the users' consideration, investigation and verification, but we do not warrant the results to be obtained. Please read all data sheets, statements, recommendations or suggestions in conjunction with our conditions of sale, which apply to all goods supplied by us.</small>	NOT TO SCALE
	EFFECTIVE DATE: 07/15/2024
	SUPERCEDES: 10/01/2022

BUILD CMU WALLS WITH JOINTS ON THE WATERPROOFING SIDE STRUCK FLUSH WITH THE FACE OF THE CMU. EITHER PARGE COAT OR PREPARE THE SURFACE WITH A 60 MIL APPLICATION OF POLYGUARD COMMERCIAL STRETCH



WP2

SECTION@ POURED CONCRETE OR CMU PLANTER WATERPROOFING

©POLYGUARD PRODUCTS, INC.
MATERIAL SEPARATED FOR CLARITY

Polyguard Products, Inc.
P.O. Box 755 - Ennis, TX 75120
Phone: 214-515-5000
Web Site - www.polyguard.com

SPECIAL NOTE: IF ADHESIVE IS REQUIRED FOR SEAMS OR ENDLAPS DO NOT USE POLYGUARD 650 WB LIQUID ADHESIVE

<small>The information provided is based on data and knowledge considered to be true and accurate and is offered for the users' consideration, investigation and verification, but we do not warrant the results to be obtained. Please read all data sheets, statements, recommendations or suggestions in conjunction with our conditions of sale, which apply to all goods supplied by us.</small>	NOT TO SCALE
	EFFECTIVE DATE: 07/15/2024
	SUPERCEDES: 10/01/2022

POLYGUARD DETAIL SEALANT PW OR POLYGUARD LM-95 APPLIED TO THE TOP EDGE OF TERMINATION BAR AND TO COVER A MINIMUM 1/8" BEYOND THE PERIMETER OF EACH FASTENER HEAD

POLYGUARD 650 MEMBRANE APPLIED TO SUBSTRATE PREPARED WITH POLYGUARD 650 LT LIQUID ADHESIVE OR POLYGUARD CALIFORNIA SEALANT AT A RATE OF 250 - 300 SF / GAL OR POLYGUARD 650 WB LIQUID ADHESIVE AT 350 - 400 SF/GAL - OVERLAPS ARE A MINIMUM 2-1/2" ON SIDE LAPS AND A MINIMUM 6" ON END LAPS

POLYGUARD 12" DETAIL TAPE OR A 12" STRIP OF POLYGUARD 650 MEMBRANE APPLIED AND CENTERED (6" ON EACH CONCRETE FACE) ON ALL INSIDE AND OUTSIDE CORNERS PREPARED WITH POLYGUARD 650 LT LIQUID ADHESIVE OR POLYGUARD CALIFORNIA SEALANT AT A RATE OF 250 - 300 SF/GAL OR POLYGUARD 650 WB LIQUID ADHESIVE AT A RATE OF 350 - 400 SF/GAL

POLYGUARD DETAIL SEALANT PW OR POLYGUARD LM-95 APPLIED TO SEAMS 12" FROM POLYGUARD 650 MEMBRANE CHANGES IN PLANE, AND ALONG POLYGUARD MEMBRANE TERMINAL CUT EDGES

3/4" FILLET / CANT BEAD POLYGUARD DETAIL SEALANT PW OR POLYGUARD LM-95 APPLIED TO RAW CONCRETE ALONG INSIDE CORNERS

POLYGUARD 12" DETAIL TAPE OR A 12" STRIP OF POLYGUARD 650 MEMBRANE APPLIED AND CENTERED (6" ON EACH CONCRETE FACE) ON ALL INSIDE AND OUTSIDE CORNERS PREPARED WITH POLYGUARD 650 LT LIQUID ADHESIVE OR POLYGUARD CALIFORNIA SEALANT AT A RATE OF 250 - 300 SF/GAL OR POLYGUARD 650 WB LIQUID ADHESIVE AT A RATE OF 350 - 400 SF/GAL

1/8" X 1" METAL TERMINATION BAR (BY OTHERS), FASTEN AT A MAXIMUM 8" O.C. SPACING AND A MAXIMUM 2" FROM EACH END

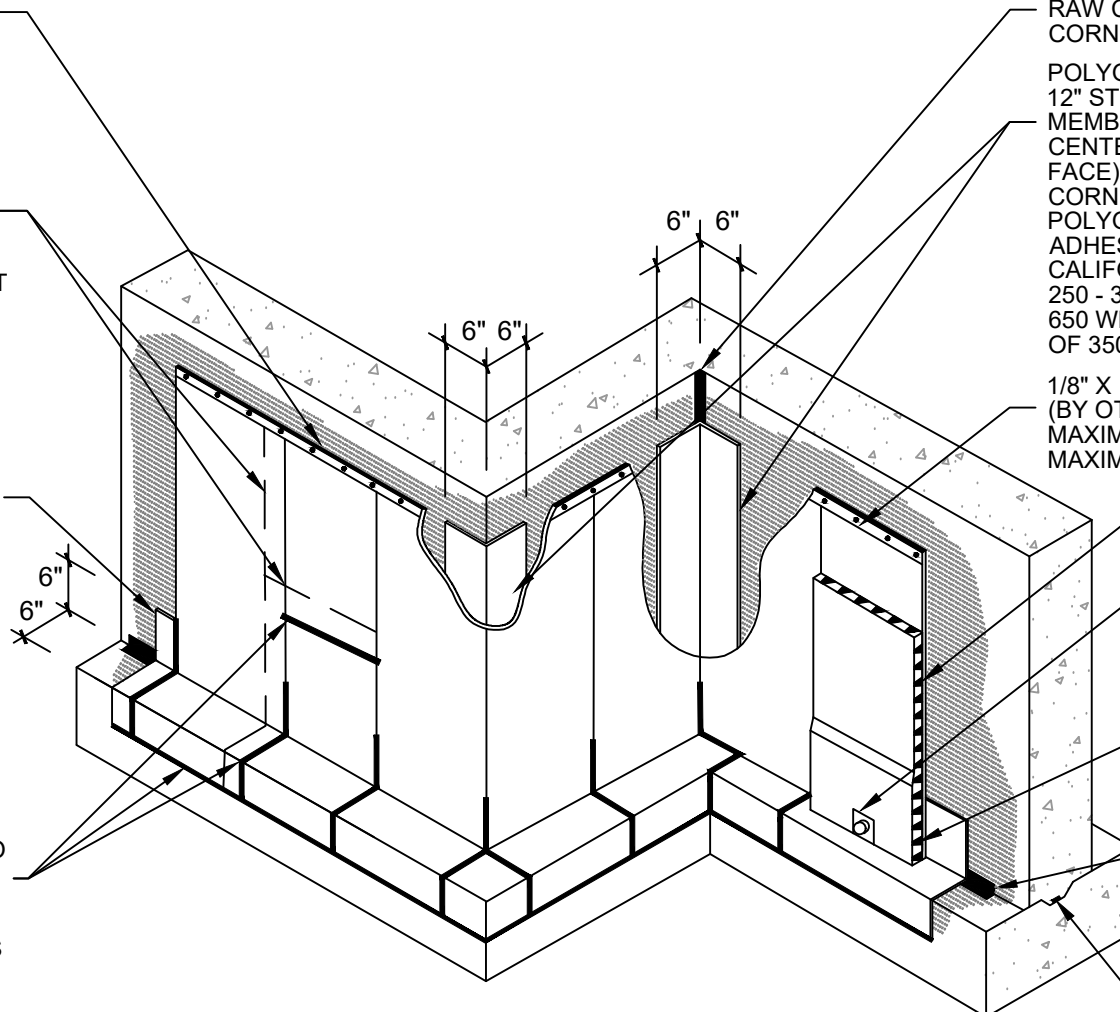
POLYGUARD POLYFLOW 15 / 15P SHEET-MOLDED DRAIN

POLYGUARD TOTALFLOW CONNECTORS - TEE AND END OUTLETS AVAILABLE

POLYGUARD TOTALFLOW HIGH-CAPACITY PERIMETER DRAIN

3/4" FILLET / CANT BEAD OF POLYGUARD DETAIL SEALANT PW OR LM-95 APPLIED TO RAW CONCRETE

WATERSTOP PER MANUFACTURERS RECOMMENDATIONS (BY OTHERS)



WP3

OVERVIEW @ 650 MEMBRANE VERTICAL WALL APPLICATION

Polyguard Products, Inc.
P.O. Box 755 - Ennis, TX 75120
Phone: 214-515-5000
Web Site - www.polyguard.com

SPECIAL NOTE: IF ADHESIVE IS REQUIRED FOR SEAMS OR ENDLAPS DO NOT USE POLYGUARD 650 WB LIQUID ADHESIVE

©POLYGUARD PRODUCTS, INC.
MATERIAL SEPARATED FOR CLARITY

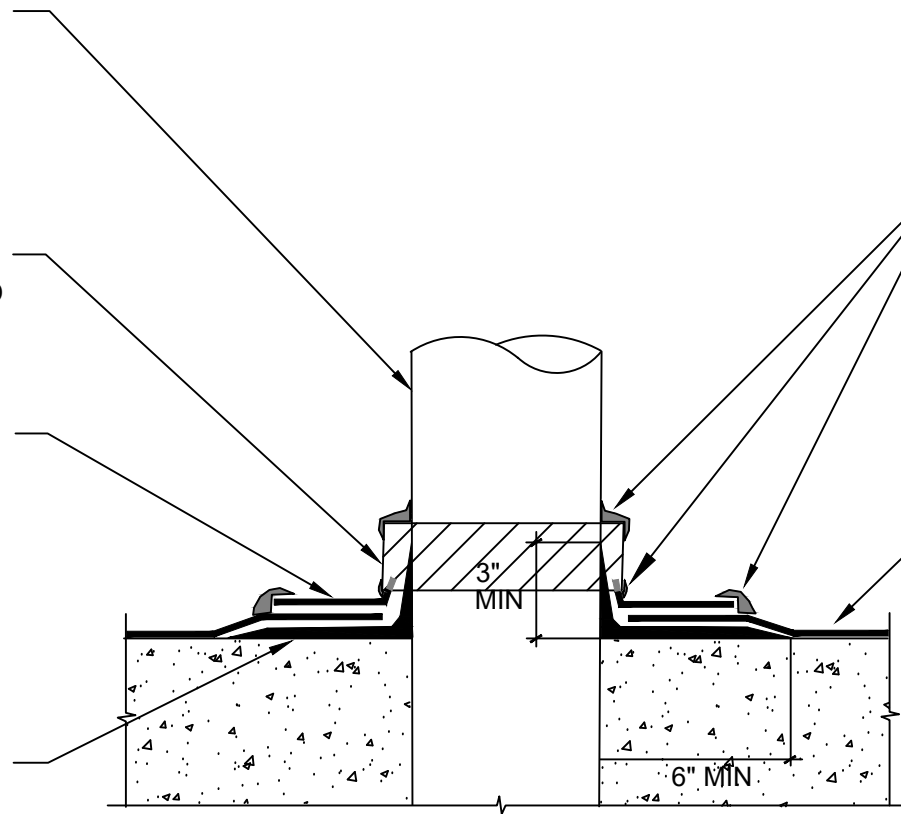
<p>The information provided is based on data and knowledge considered to be true and accurate and is offered for the users' consideration, investigation and verification, but we do not warrant the results to be obtained. Please read all data sheets, statements, recommendations or suggestions in conjunction with our conditions of sale, which apply to all goods supplied by us.</p>	NOT TO SCALE
	EFFECTIVE DATE: 07/15/2024
	SUPERCEDES: 05/12/2023

SECURED PENETRATION MEMBER
CLEAN AND ABRAD 3" OF THE
BASE OF PENETRATION
SIDEWALLS. APPLY POLYGUARD
650 LT LIQUID ADHESIVE OR
POLYGUARD CALIFORNIA
SEALANT AT A RATE OF 250 - 300
SF/GAL OR POLYGUARD 650 WB
LIQUID ADHESIVE AT A RATE OF
350-400 SF/GAL TO SIDEWALLS

3" PIECE OF POLYGUARD 650
MEMBRANE WRAPPED AROUND
THE PIPE AND TERMINATION OF
TARGET PATCH AND ONTO CURED
POLYGUARD LM-95 OR
POLYGUARD DETAIL SEALANT PW

TARGET PATCH OF POLYGUARD
650 MEMBRANE TO CREATE A
TIGHT SEAL AROUND
PENETRATION

POLYGUARD DETAIL SEALANT PW
OR POLYGUARD LM-95 APPLY 6"
ON TO RAW CONCRETE AND 3"
ONTO ABRADDED AND PRIMED
PENETRATION



POLYGUARD DETAIL SEALANT
PW OR POLYGUARD LM-95
APPLIED TO TERMINAL EDGES
OF TARGET PATCH

FIELD SHEET OF POLYGUARD
650 MEMBRANE ROUGH FIT
AROUND PENETRATION
APPLIED TO SUBSTRATE
PREPARED WITH POLYGUARD
650 LT LIQUID ADHESIVE OR
POLYGUARD CALIFORNIA
SEALANT AT A RATE OF 250 TO
300 SF/GAL OR POLYGUARD 650
WB LIQUID ADHESIVE APPLIED
AT A RATE OF 350 - 400 SF/GAL
AND OVER TOP OF POLYGUARD
DETAIL SEALANT PW OR
POLYGUARD LM-95



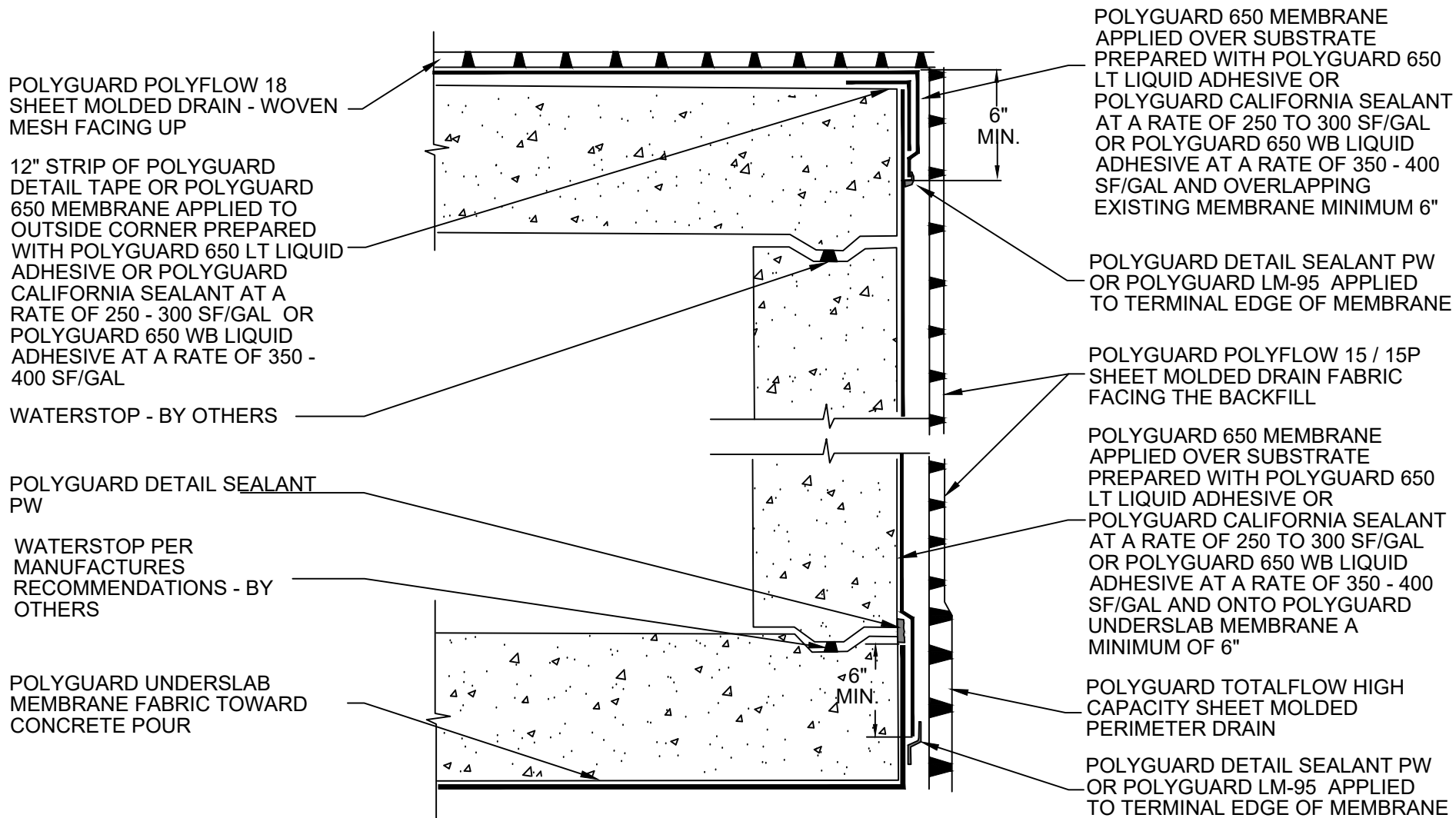
SECTION@ HORIZONTAL PENETRATION WATERPROOFING

Polyguard Products, Inc.
P.O. Box 755 - Ennis, TX 75120
Phone: 214-515-5000
Web Site - www.polyguard.com

**SPECIAL NOTE: IF ADHESIVE IS REQUIRED FOR
SEAMS OR ENDLAPS DO NOT USE POLYGUARD
650 WB LIQUID ADHESIVE**

©POLYGUARD PRODUCTS, INC.
MATERIAL SEPARATED FOR CLARITY

<small>The information provided is based on data and knowledge considered to be true and accurate and is offered for the users' consideration, investigation and verification, but we do not warrant the results to be obtained. Please read all data sheets, statements, recommendations or suggestions in conjunction with our conditions of sale, which apply to all goods supplied by us.</small>	NOT TO SCALE
	EFFECTIVE DATE: 07/15/2024
	SUPERCEDES: 10/01/2022



WP5

SECTION@ TUNNEL WATERPROOFING

Polyguard Products, Inc.
P.O. Box 755 - Ennis, TX 75120
Phone: 214-515-5000
Web Site - www.polyguard.com

SPECIAL NOTE: IF ADHESIVE IS REQUIRED FOR SEAMS OR ENDLAPS DO NOT USE POLYGUARD 650 WB LIQUID ADHESIVE

©POLYGUARD PRODUCTS, INC.
MATERIAL SEPARATED FOR CLARITY

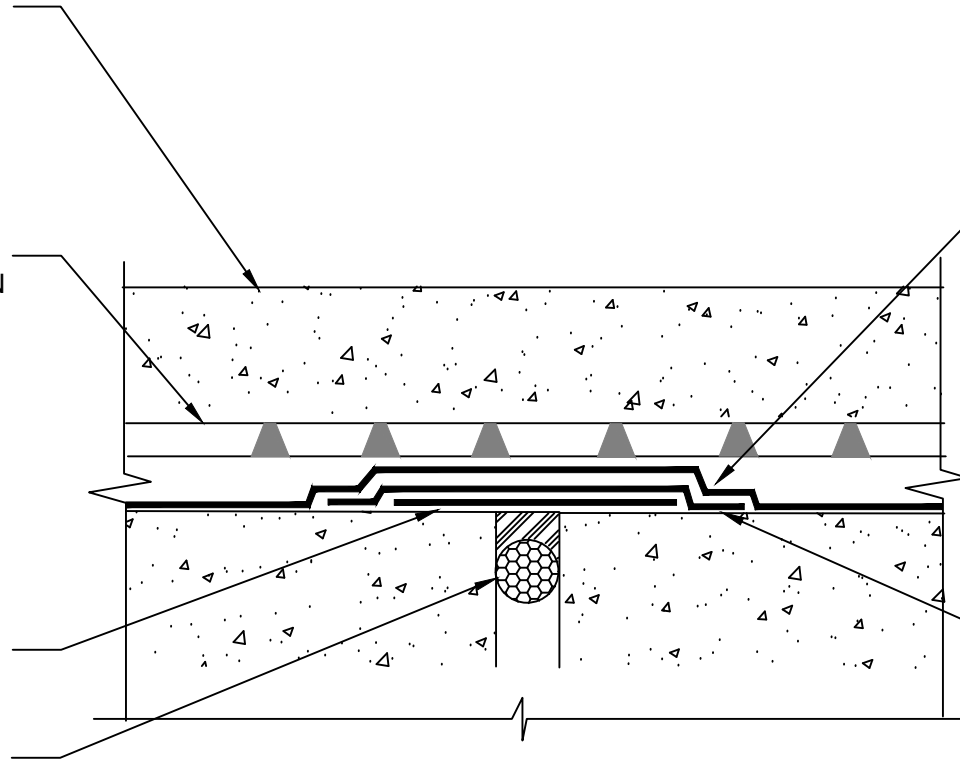
<small>The information provided is based on data and knowledge considered to be true and accurate and is offered for the users' consideration, investigation and verification, but we do not warrant the results to be obtained. Please read all data sheets, statements, recommendations or suggestions in conjunction with our conditions of sale, which apply to all goods supplied by us.</small>	NOT TO SCALE
	EFFECTIVE DATE: 07/15/2024
	SUPERCEDES: 10/01/2022

TOPPING SLAB, PAVERS OR
THIN SET MORTAR TILE SYSTEM
AND EXPANSION JOINT BY
OTHERS

POLYGUARD POLYFLOW 18
SHEET MOLDED DRAIN MESH
FACING SHOULD FACE THE
TOPPING SLAB OR PROTECTION
BOARD

8" STRIP OF POLYGUARD
DETAIL TAPE, POLYGUARD 650
MEMBRANE INVERTED AND
CENTERED OVER JOINT
(ADHESIVE SIDE UP)

BACKER ROD AND SEALANT
BY OTHERS



FIELD COVERAGE OF
POLYGUARD 650
MEMBRANE APPLIED TO
SUBSTRATE PREPARED
WITH POLYGUARD 650 LT
LIQUID ADHESIVE OR
POLYGUARD CALIFORNIA
SEALANT AT A RATE OF 250
TO 300 SF/GAL OR
POLYGUARD 650 WB LIQUID
ADHESIVE AT A RATE OF 350
- 400 SF/GAL

12" STRIP OF POLYGUARD
DETAIL TAPE, POLYGUARD
650 MEMBRANE CENTERED
OVER 8 " INVERTED
MEMBRANE AND APPLIED TO
SUBSTRATE PREPARED
WITH POLYGUARD 650 LT
LIQUID ADHESIVE OR
POLYGUARD CALIFORNIA
SEALANT AT A RATE OF 250 -
300 SF/GAL OR POLYGUARD
650 WB LIQUID ADHESIVE AT
A RATE OF 350 TO 400
SF/GAL

WP6

SECTION@ HORIZONTAL EXPANSION JOINT COVER

Polyguard Products, Inc.
P.O. Box 755 - Ennis, TX 75120
Phone: 214-515-5000
Web Site - www.polyguard.com

**SPECIAL NOTE: IF ADHESIVE IS REQUIRED FOR
SEAMS OR ENDLAPS DO NOT USE POLYGUARD
650 WB LIQUID ADHESIVE**

©POLYGUARD PRODUCTS, INC.
MATERIAL SEPARATED FOR CLARITY

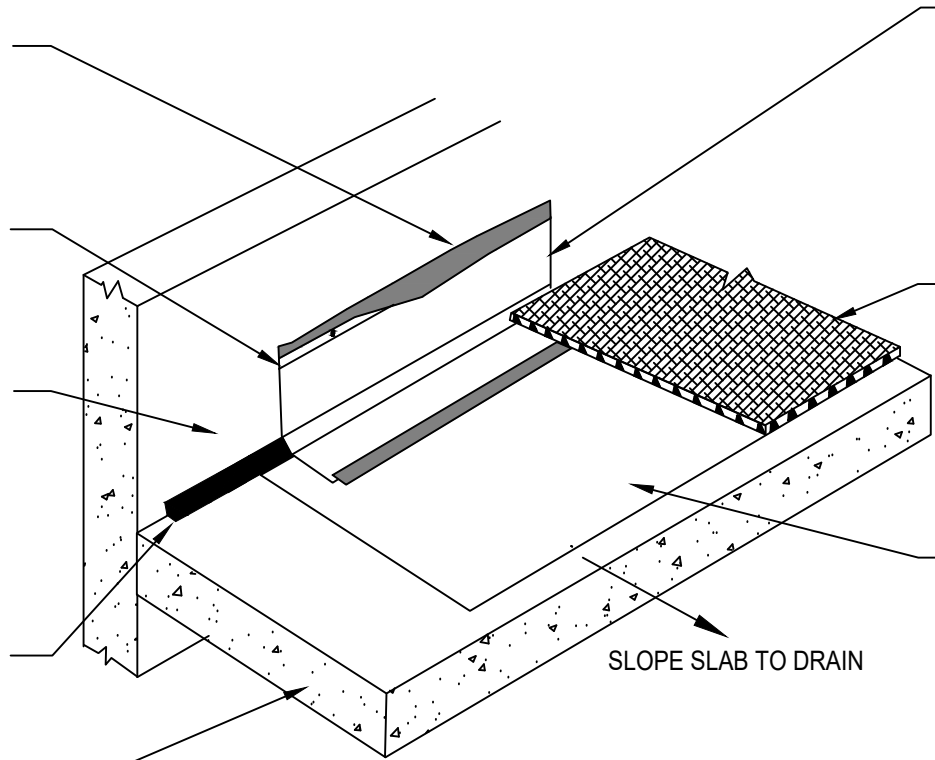
<small>The information provided is based on data and knowledge considered to be true and accurate and is offered for the users' consideration, investigation and verification, but we do not warrant the results to be obtained. Please read all data sheets, statements, recommendations or suggestions in conjunction with our conditions of sale, which apply to all goods supplied by us.</small>	NOT TO SCALE
	EFFECTIVE DATE: 07/15/2024
	SUPERCEDES: 10/01/2022

POLYGUARD DETAIL SEALANT PW OR POLYGUARD LM95 APPLIED TO THE TOP OF THE TERMINATION BAR AND COVERING A MINIMUM 1/8" BEYOND PERIMETER OF FASTENER HEADS

1/8" X 1" METAL TERMINATION BAR FASTENED AT 8" SPACING AND 2" FROM EACH END - BY OTHERS

3/4" FILLET OF POLYGUARD DETAIL SEALANT PW OR POLYGUARD LM-95 APPLIED TO RAW CONCRETE

SUBSTRATE



12" POLYGUARD DETAIL TAPE APPLIED TO INSIDE AND OUTSIDE CORNERS PREPARE VERTICAL SUBSTRATE WITH POLYGUARD 650 LT LIQUID ADHESIVE OR POLYGUARD CALIFORNIA SEALANT AT A RATE OF 250 - 300 SF/GAL OR POLYGUARD 650 WB LIQUID ADHESIVE AT A RATE OF 350-400 SF/GAL AND ONTO EXISTING HORIZONTAL POLYGUARD 650 MEMBRANE

POLYGUARD POLYFLOW 18 SHEET MOLDED DRAIN OR PROTECTION - WOVEN MESH FACING TOPPING SLAB

POLYGUARD 650 MEMBRANE APPLIED TO HORIZONTAL SUBSTRATE PREPARED WITH POLYGUARD 650 LT LIQUID ADHESIVE OR POLYGUARD CALIFORNIA SEALANT AT A RATE OF 250 - 300 SF/GAL OR POLYGUARD 650 WB LIQUID ADHESIVE AT A RATE OF 350 - 400 SF/GAL - TERMINATING AT THE FILLET - SLOPE TO DRAIN

SLOPE SLAB TO DRAIN

WP7

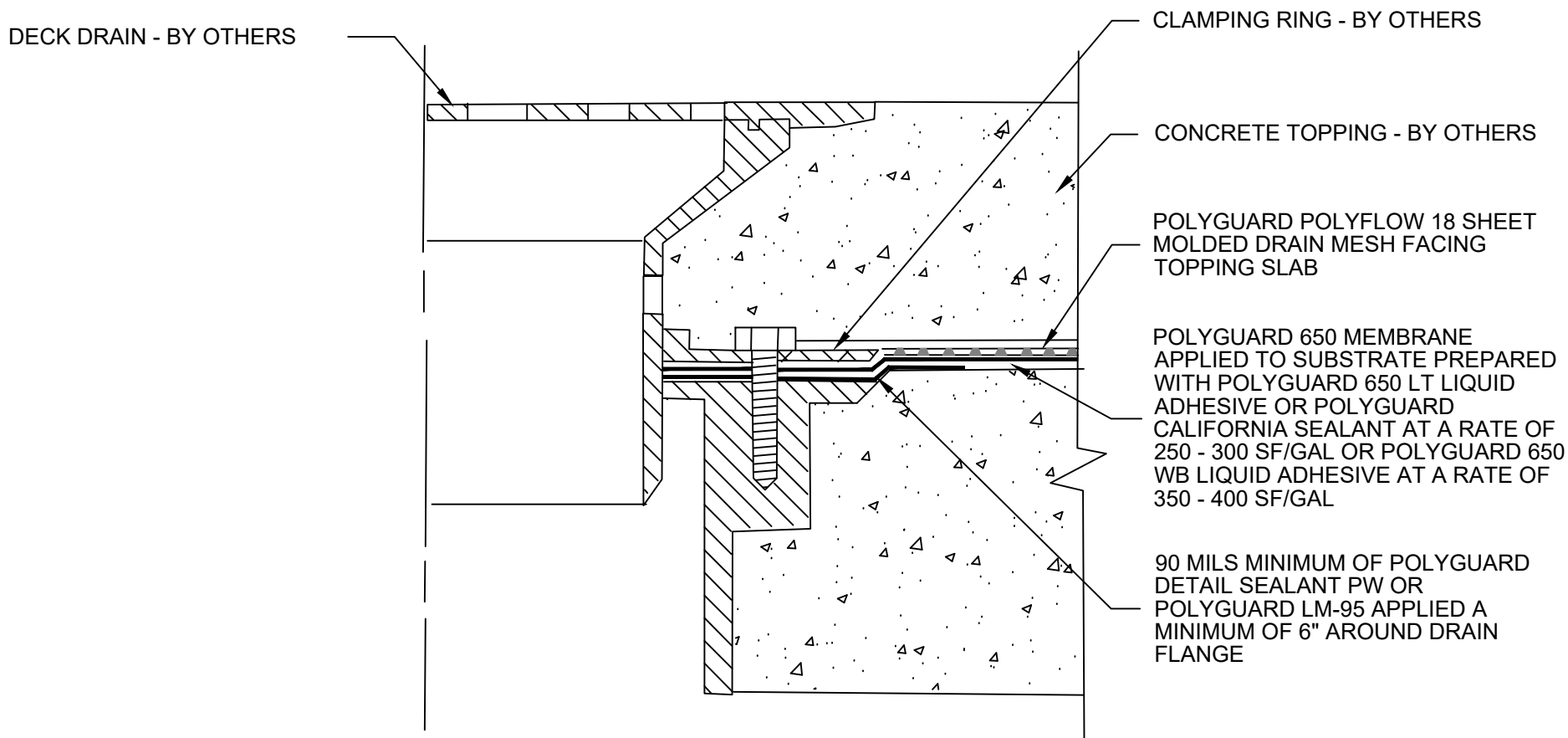
OVERVIEW @ HORIZONTAL SLAB AT WALL TERMINATION

Polyguard Products, Inc.
P.O. Box 755 - Ennis, TX 75120
Phone: 214-515-5000
Web Site - www.polyguard.com

SPECIAL NOTE: IF ADHESIVE IS REQUIRED FOR SEAMS OR ENDLAPS DO NOT USE POLYGUARD 650 WB LIQUID ADHESIVE

©POLYGUARD PRODUCTS, INC.
MATERIAL SEPARATED FOR CLARITY

<small>The information provided is based on data and knowledge considered to be true and accurate and is offered for the users' consideration, investigation and verification, but we do not warrant the results to be obtained. Please read all data sheets, statements, recommendations or suggestions in conjunction with our conditions of sale, which apply to all goods supplied by us.</small>	NOT TO SCALE
	EFFECTIVE DATE: 07/15/2024
	SUPERCEDES: 10/01/2022



WP8

SECTION @ DUAL LEVEL DRAIN

Polyguard Products, Inc.
P.O. Box 755 - Ennis, TX 75120
Phone: 214-515-5000
Web Site - www.polyguard.com

SPECIAL NOTE: IF ADHESIVE IS REQUIRED FOR SEAMS OR ENDLAPS DO NOT USE POLYGUARD 650 WB LIQUID ADHESIVE

©POLYGUARD PRODUCTS, INC.
MATERIAL SEPARATED FOR CLARITY

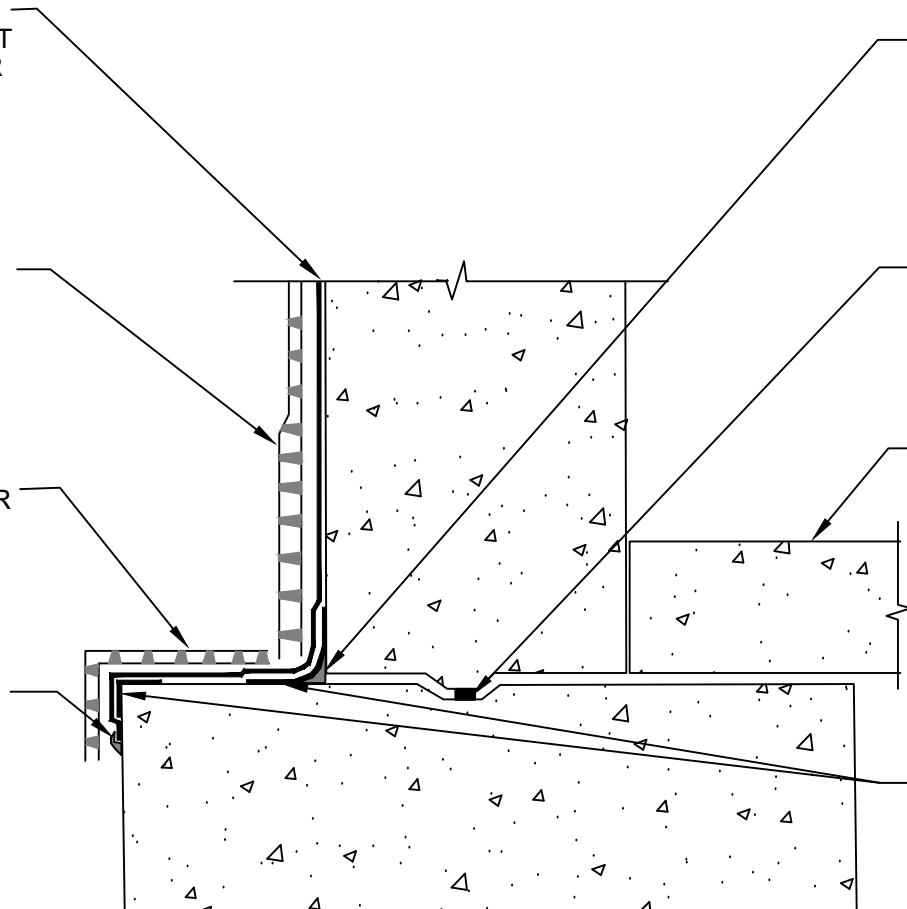
<small>The information provided is based on data and knowledge considered to be true and accurate and is offered for the users' consideration, investigation and verification, but we do not warrant the results to be obtained. Please read all data sheets, statements, recommendations or suggestions in conjunction with our conditions of sale, which apply to all goods supplied by us.</small>	NOT TO SCALE
	EFFECTIVE DATE: 07/15/2024
	SUPERCEDES: 10/01/2022

POLYGUARD 650 MEMBRANE APPLIED TO SUBSTRATE PREPARED WITH POLYGUARD 650 LT LIQUID ADHESIVE OR, POLYGUARD CALIFORNIA SEALANT AT A RATE OF 250 - 300 SF/GAL OR POLYGUARD 650 WB LIQUID ADHESIVE AT A RATE OF 350 - 400 SF/GAL

POLYGUARD TOTALFLOW HIGH CAPACITY PERIMETER DRAIN - FABRIC FACING BACKFILL AND CONNECTS TO THE POLYGUARD POLYFLOW 15 / 15P SHEET MOLDED DRAIN CONTINUED UP THE WALL

POLYGUARD POLYFLOW 15 / 15P SHEET MOLDED DRAIN FABRIC FACING BACKFILL - PRIMARILY FOR PROTECTION OF THE MEMBRANE

POLYGUARD DETAIL SEALANT PW OR POLYGUARD LM-95 APPLIED TO TERMINAL EDGE OF MEMBRANE



3/4" FILLET OF POLYGUARD DETAIL SEALANT PW OR POLYGUARD LM-95 APPLIED TO INSIDE CORNERS VERTICALLY AND HORIZONTALLY TO RAW CONCRETE - ALLOW POLYGUARD DETAIL SEALANT PW TO CURE FOR 2 HOURS PRIOR TO SHEET APPLICATION

WATERSTOP PER MANUFACTURES RECOMMENDATIONS - BY OTHERS

TOP OF INTERIOR FLOOR HEIGHT 12" AND UNDER FROM TOP OF FOOTER - WATERPROOF AS SHOWN - IF FOOTER IS POURED IN PLACE FOOTER MEMBRANE MUST BE CARRIED OUT 12" AND TERMINATED WITH TERMINATION BAR AND SEALED WITH POLYGUARD DETAIL SEALANT PW OR POLYGUARD LM-95

12" STRIP OF POLYGUARD DETAIL TAPE APPLIED TO INSIDE AND OUTSIDE CORNERS - PREPARE SUBSTRATE WITH POLYGUARD 650 LT LIQUID ADHESIVE OR POLYGUARD CALIFORNIA SEALANT AT A RATE OF 250 - 300 SF/GAL OR POLYGUARD 650 WB LIQUID ADHESIVE AT A RATE OF 350 - 400 SF/GAL

WP9

SECTION @ TOP OF INTERIOR FLOOR IS 12" AND UNDER FROM TOP OF FOOTER

SPECIAL NOTE: IF ADHESIVE IS REQUIRED FOR SEAMS OR ENDLAPS DO NOT USE POLYGUARD 650 WB LIQUID ADHESIVE

<p>The information provided is based on data and knowledge considered to be true and accurate and is offered for the users' consideration, investigation and verification, but we do not warrant the results to be obtained. Please read all data sheets, statements, recommendations or suggestions in conjunction with our conditions of sale, which apply to all goods supplied by us.</p>	NOT TO SCALE
	EFFECTIVE DATE: 07/15/2024
	SUPERCEDES: 10/01/2022

POLYGUARD 650 MEMBRANE
APPLIED TO SUBSTRATE
PREPARED WITH POLYGUARD
650 LT LIQUID ADHESIVE OR
POLYGUARD CALIFORNIA
SEALANT AT A RATE OF 250 - 300
SF/GAL OR POLYGUARD 650 WB
LIQUID ADHESIVE AT A RATE OF
350 - 400 SF/GAL

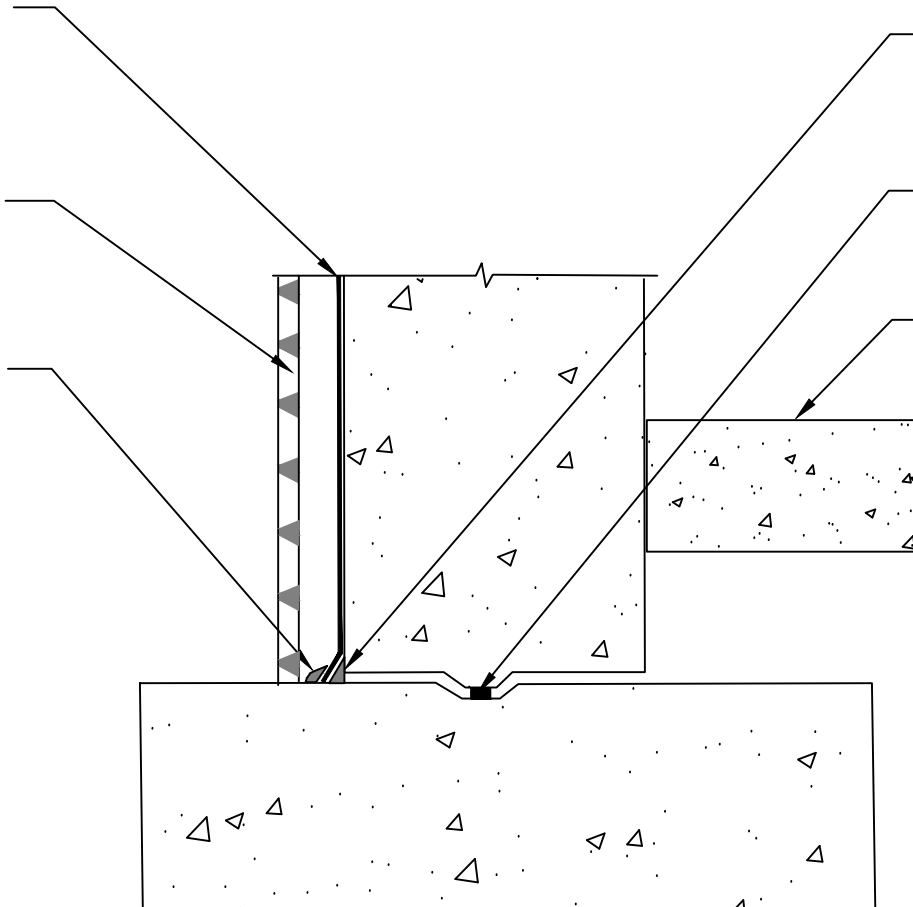
POLYGUARD POLYFLOW 15 /15P
SHEET MOLDED DRAIN FABRIC
FACING BACKFILL

POLYGUARD DETAIL SEALANT
PW OR POLYGUARD LM-95
APPLIED TO TERMINAL EDGE OF
MEMBRANE

3/4" FACE OF POLYGUARD
DETAIL SEALANT PW OR
POLYGUARD LM-95 FILLET /CANT

WATERSTOP PER MANUFACTURES
RECOMMENDATION - BY OTHERS

TOP OF INTERIOR FLOOR HEIGHT IS
GREATER THAN 12" ABOVE TOP OF
FOOTER



WP10

SECTION @ TOP OF INTERIOR FLOOR IS GREATER THAN 12" ABOVE TOP OF FOOTER

Polyguard Products, Inc.
P.O. Box 755 - Ennis, TX 75120
Phone: 214-515-5000
Web Site - www.polyguard.com

**SPECIAL NOTE: IF ADHESIVE IS REQUIRED FOR
SEAMS OR ENDLAPS DO NOT USE POLYGUARD
650 WB LIQUID ADHESIVE**

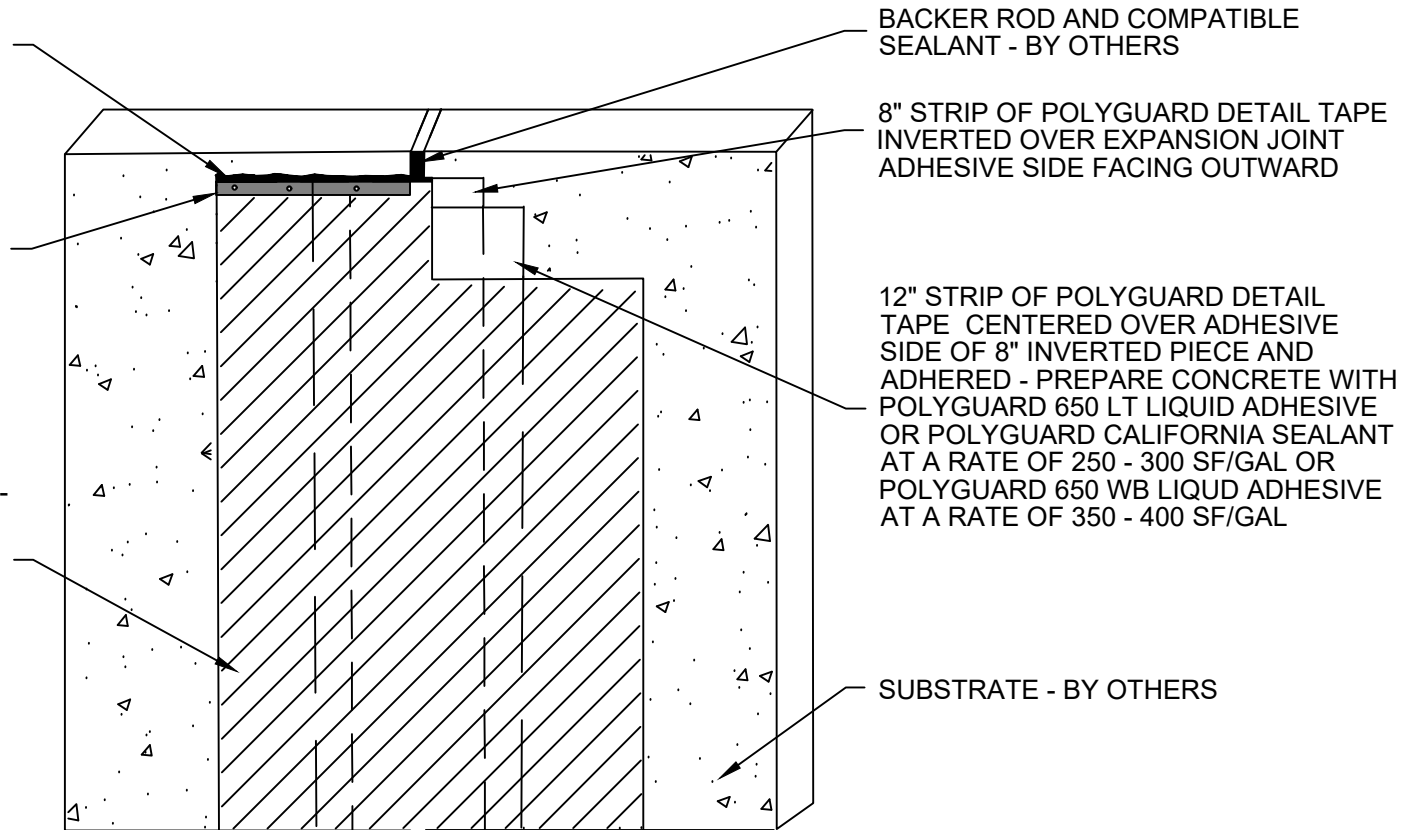
©POLYGUARD PRODUCTS, INC.
MATERIAL SEPARATED FOR CLARITY

<small>The information provided is based on data and knowledge considered to be true and accurate and is offered for the users' consideration, investigation and verification, but we do not warrant the results to be obtained. Please read all data sheets, statements, recommendations or suggestions in conjunction with our conditions of sale, which apply to all goods supplied by us.</small>	NOT TO SCALE
	EFFECTIVE DATE: 07/15/2024
	SUPERCEDES: 05/16/2023

POLYGUARD DETAIL SEALANT PW OR POLYGUARD LM 95 APPLIED TO THE TOP EDGE OF TERMINATION BAR AND TO COVER MINIMUM 1/8" BEYOND PERIMETER OF FASTENER HEADS

1/8" X 1" METAL TERMINATION BAR FASTENED AT 8" SPACING AND 2" FROM EACH END BUT NOT ACROSS THE JOINT - BY OTHERS

FIELD SHEET OF POLYGUARD 650 MEMBRANE APPLIED OVER THE 12" STRIP OF POLYGUARD DETAIL TAPE - PREPARE SUBSTRATE WITH POLYGUARD 650 LT LIQUID ADHESIVE OR POLYGUARD CALIFORNIA SEALANT AT A RATE OF 250 TO 300 SF/GAL OR POLYGUARD 650 WB LIQUID ADHESIVE AT A RATE OF 350 - 400 SF/GAL



BACKER ROD AND COMPATIBLE SEALANT - BY OTHERS

8" STRIP OF POLYGUARD DETAIL TAPE INVERTED OVER EXPANSION JOINT ADHESIVE SIDE FACING OUTWARD

12" STRIP OF POLYGUARD DETAIL TAPE CENTERED OVER ADHESIVE SIDE OF 8" INVERTED PIECE AND ADHERED - PREPARE CONCRETE WITH POLYGUARD 650 LT LIQUID ADHESIVE OR POLYGUARD CALIFORNIA SEALANT AT A RATE OF 250 - 300 SF/GAL OR POLYGUARD 650 WB LIQUID ADHESIVE AT A RATE OF 350 - 400 SF/GAL

SUBSTRATE - BY OTHERS

WP11

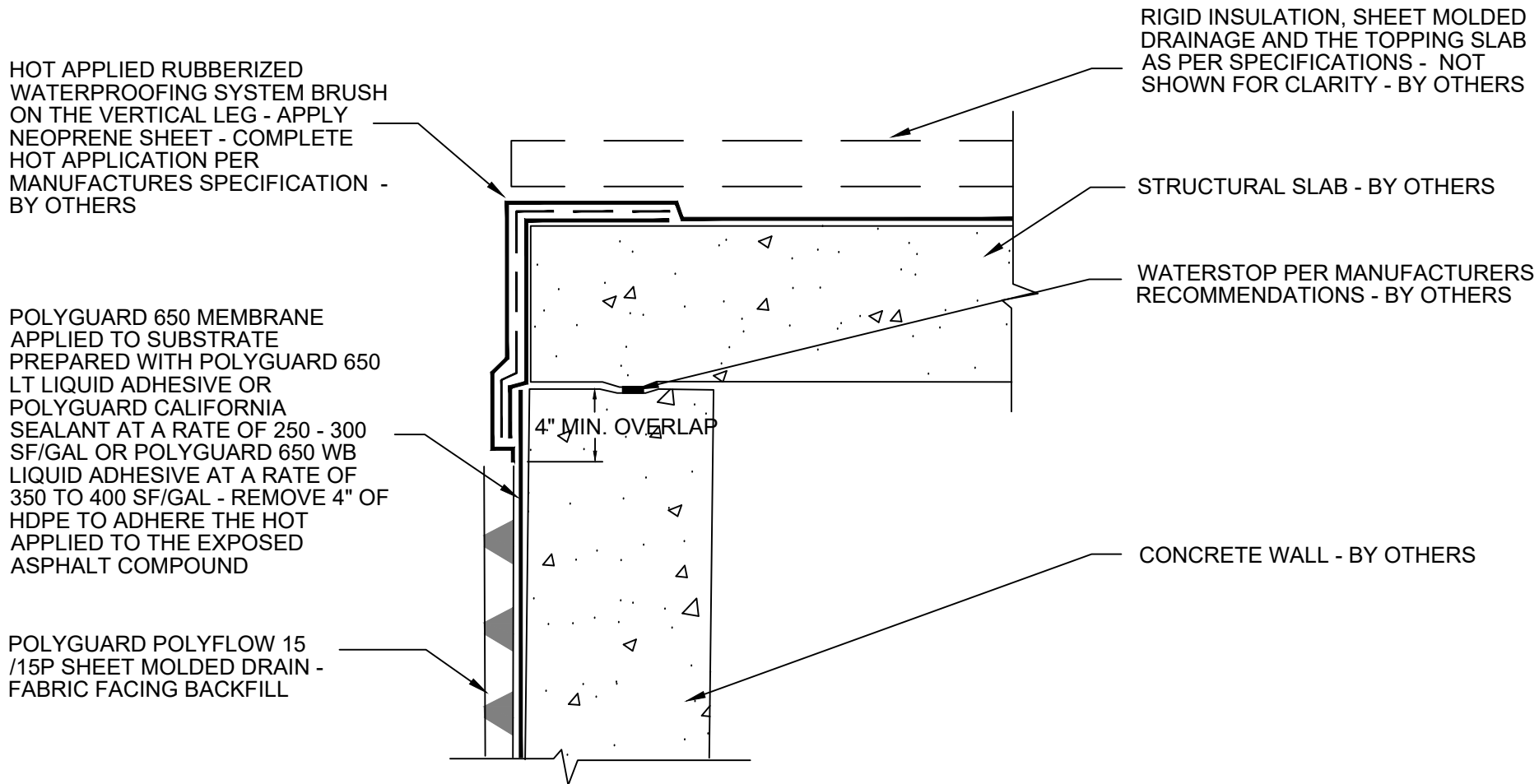
SECTION @ VERTICAL WALL EXPANSION JOINT COVER

Polyguard Products, Inc.
P.O. Box 755 - Ennis, TX 75120
Phone: 214-515-5000
Web Site - www.polyguard.com

SPECIAL NOTE: IF ADHESIVE IS REQUIRED FOR SEAMS OR ENDLAPS DO NOT USE POLYGUARD 650 WB LIQUID ADHESIVE

©POLYGUARD PRODUCTS, INC.
MATERIAL SEPARATED FOR CLARITY

<small>The information provided is based on data and knowledge considered to be true and accurate and is offered for the users' consideration, investigation and verification, but we do not warrant the results to be obtained. Please read all data sheets, statements, recommendations or suggestions in conjunction with our conditions of sale, which apply to all goods supplied by us.</small>	NOT TO SCALE
	EFFECTIVE DATE: 07/15/2024
	SUPERCEDES: 10/01/2022



WP12 SECTION @ HOT APPLIED RUBBER TIE IN TO SELF ADHERED MEMBRANE

Polyguard Products, Inc.
P.O. Box 755 - Ennis, TX 75120
Phone: 214-515-5000
Web Site - www.polyguard.com

SPECIAL NOTE: IF ADHESIVE IS REQUIRED FOR SEAMS OR ENDLAPS DO NOT USE POLYGUARD 650 WB LIQUID ADHESIVE

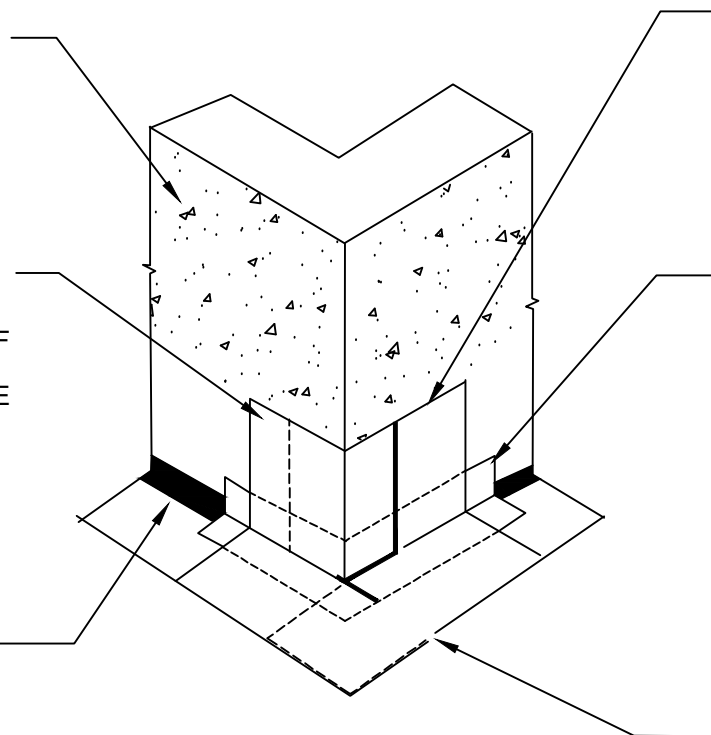
©POLYGUARD PRODUCTS, INC.
MATERIAL SEPARATED FOR CLARITY

<small>The information provided is based on data and knowledge considered to be true and accurate and is offered for the users' consideration, investigation and verification, but we do not warrant the results to be obtained. Please read all data sheets, statements, recommendations or suggestions in conjunction with our conditions of sale, which apply to all goods supplied by us.</small>	NOT TO SCALE
	EFFECTIVE DATE: 07/15/2024
	SUPERCEDES: 10/01/2022

CONCRETE SUBSTRATE - BY OTHERS

PIECE OF POLYGUARD 650 MEMBRANE CUT AND FIT TO OUTSIDE CORNER - APPLIED OVER SUBSTRATE PREPARED WITH POLYGUARD 650 LT LIQUID ADHESIVE OR POLYGUARD CALIFORNIA SEALANT AT A RATE OF 250 - 300 SF/GAL OR POLYGUARD 650 WB LIQUID ADHESIVE AT A RATE OF 350 - 400 SF/GAL

3/4" FILLET OF POLYGUARD DETAIL SEALANT PW OR POLYGUARD LM-95 APPLIED TO INSIDE CORNERS VERTICALLY AND HORIZONTALLY TO RAW CONCRETE - ALLOW POLYGUARD DETAIL SEALANT PW TO CURE FOR 2 HOURS PRIOR TO SHEET APPLICATION



PIECE OF POLYGUARD 650 MEMBRANE CUT AND FIT TO OUTSIDE CORNER - APPLIED OVER SUBSTRATE PREPARED WITH POLYGUARD 650 LT LIQUID ADHESIVE OR POLYGUARD CALIFORNIA SEALANT AT A RATE OF 250 - 300 SF/GAL OR POLYGUARD 650 WB LIQUID ADHESIVE AT A RATE OF 350 - 400 SF/GAL

12" STRIP OF POLYGUARD DETAIL TAPE APPLIED TO INSIDE AND OUTSIDE CORNERS - PREPARE SUBSTRATE WITH POLYGUARD 650 LT LIQUID ADHESIVE OR POLYGUARD CALIFORNIA SEALANT AT A RATE OF 250 - 300 SF/GAL OR POLYGUARD 650 WB LIQUID ADHESIVE AT A RATE OF 350 - 400 SF/GAL

POLYGUARD DETAIL SEALANT PW OR POLYGUARD LM-95 APPLIED TO CUT EDGE AND TERMINATIONS OF POLYGUARD 650 MEMBRANE



OVERVIEW @ FIELD FORMED SELF ADHERED OUTSIDE CORNER

Polyguard Products, Inc.
P.O. Box 755 - Ennis, TX 75120
Phone: 214-515-5000
Web Site - www.polyguard.com

SPECIAL NOTE: IF ADHESIVE IS REQUIRED FOR SEAMS OR ENDLAPS DO NOT USE POLYGUARD 650 WB LIQUID ADHESIVE

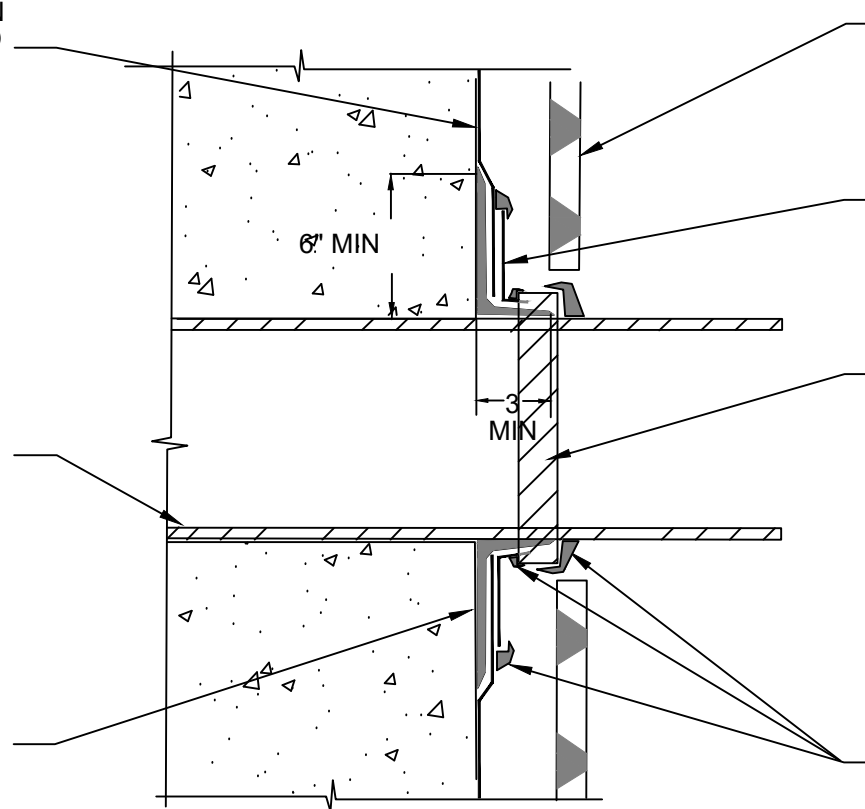
©POLYGUARD PRODUCTS, INC.
MATERIAL SEPARATED FOR CLARITY

<small>The information provided is based on data and knowledge considered to be true and accurate and is offered for the users' consideration, investigation and verification, but we do not warrant the results to be obtained. Please read all data sheets, statements, recommendations or suggestions in conjunction with our conditions of sale, which apply to all goods supplied by us.</small>	NOT TO SCALE
	EFFECTIVE DATE: 07/15/2024
	SUPERCEDES: 10/01/2022

FIELD POLYGUARD 650 MEMBRANE
ROUGH FIT AROUND PENETRATION
AND ONTO SUBSTRATE PREPARED
WITH POLYGUARD 650 LT LIQUID
ADHESIVE OR POLYGUARD
CALIFORNIA SEALANT AT A RATE
OF 250 - 300 SF/GAL OR
POLYGUARD 650 WB LIQUID
ADHESIVE AT A RATE OF 350 - 400
SF/GAL

SECURED PENETRATION MEMBER
CLEAN AND ABRASE 3" OF THE
BASE OF PENETRATION
SIDEWALLS - APPLY POLYGUARD
650 LT LIQUID ADHESIVE OR
POLYGUARD CALIFORNIA SEALANT
AT A RATE OF 250 -300 SQ/GAL OR
POLYGUARD 650 WB LIQUID
ADHESIVE AT A RATE OF 350 - 400
SF/GAL TO PENETRATION
SIDEWALL

POLYGUARD DETAIL SEALANT PW
OR POLYGUARD LM-95 APPLIED 6"
ONTO RAW CONCRETE AND 3"
ONTO ABRASED PENETRATION.



POLYGUARD POLYFLOW 15 / 15P
SHEET MOLDED DRAIN

TARGET PATCH OF POLYGUARD 650
MEMBRANE TO CREATE A TIGHT
SEAL AROUND PENETRATION

3" PIECE OF POLYGUARD 650
MEMBRANE WRAPPED AROUND THE
PIPE AND TERMINATION OF THE
TARGET PATCH AND ONTO
POLYGUARD DETAIL SEALANT PW
OR POLYGUARD LM-95

POLYGUARD DETAIL SEALANT PW OR
POLYGUARD LM-95 APPLIED TO
TERMINAL EDGES OF TARGET PATCH
AND POLYGUARD 650 MEMBRANE

WP14 SECTION @ VERTICAL WALL PENETRATION

Polyguard Products, Inc.
P.O. Box 755 - Ennis, TX 75120
Phone: 214-515-5000
Web Site - www.polyguard.com

**SPECIAL NOTE: IF ADHESIVE IS REQUIRED FOR
SEAMS OR ENDLAPS DO NOT USE 650 WB
LIQUID ADHESIVE**

©POLYGUARD PRODUCTS, INC.
MATERIAL SEPARATED FOR CLARITY

<small>The information provided is based on data and knowledge considered to be true and accurate and is offered for the users' consideration, investigation and verification, but we do not warrant the results to be obtained. Please read all data sheets, statements, recommendations or suggestions in conjunction with our conditions of sale, which apply to all goods supplied by us.</small>	NOT TO SCALE
	EFFECTIVE DATE: 07/15/2024
	SUPERCEDES: 10/01/2022

POLYGUARD DETAIL SEALANT OR
POLYGUARD LM-95 APPLIED TO THE TOP
TERMINAL EDGE

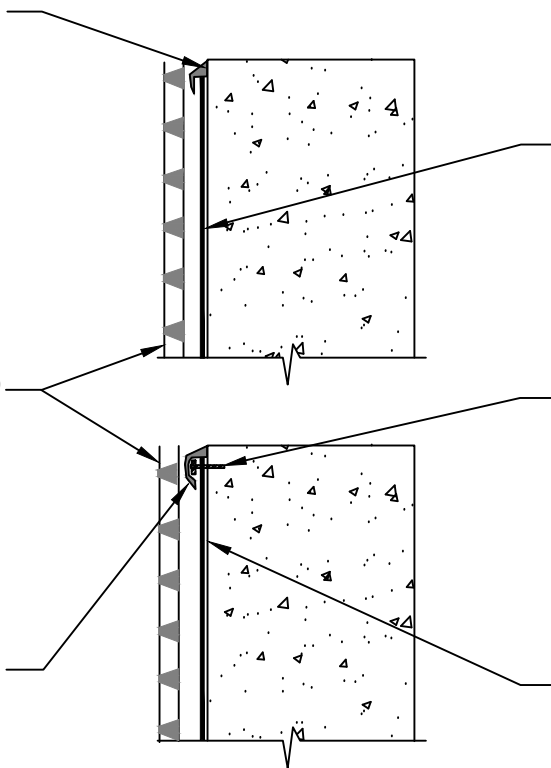
POLYGUARD 650 MEMBRANE APPLIED TO SUBSTRATE
PREPARED WITH POLYGUARD 650 LT LIQUID
ADHESIVE OR POLYGUARD CALIFORNIA SEALANT AT A
RATE OF 250 -300 SF/GAL OR POLYGUARD 650 WB
LIQUID ADHESIVE AT A RATE OF 350 TO 400 SF/GAL

POLYGUARD POLYFLOW 15 / 15P MOLDED
SHEET DRAIN - FABRIC FACING BACKFILL

1/8" X 1" METAL TERMINATION BAR FASTENED AT 8"
SPACING AND 2" FROM EACH END - TERM BAR
RECOMMENDED BY POLYGUARD - BY OTHERS

POLYGUARD DETAIL SEALANT PW OR
POLYGUARD LM-95 APPLIED TO THE TOP
OF THE TERMINATION BAR AND
COVERING MINIMUM 1/8" BEYOND
PERIMETER OF FASTENER HEADS

POLYGUARD 650 MEMBRANE APPLIED TO SUBSTRATE
PREPARED WITH POLYGUARD 650 LT LIQUID ADHESIVE
OR POLYGUARD CALIFORNIA SEALANT AT A RATE OF
250 - 300 SF/GAL OR POLYGUARD 650 WB LIQUID
ADHESIVE AT A RATE OF 350 TO 400 SF/GAL



WP15

SECTION @ TOP OF WALL TERMINATION OPTIONS

Polyguard Products, Inc.
P.O. Box 755 - Ennis, TX 75120
Phone: 214-515-5000
Web Site - www.polyguard.com

**SPECIAL NOTE: IF ADHESIVE IS REQUIRED FOR
SEAMS OR ENDLAPS DO NOT USE POLYGUARD
650 WB LIQUID ADHESIVE**

©POLYGUARD PRODUCTS, INC.
MATERIAL SEPARATED FOR CLARITY

<small>The information provided is based on data and knowledge considered to be true and accurate and is offered for the users' consideration, investigation and verification, but we do not warrant the results to be obtained. Please read all data sheets, statements, recommendations or suggestions in conjunction with our conditions of sale, which apply to all goods supplied by us.</small>	NOT TO SCALE
	EFFECTIVE DATE: 07/15/2024
	SUPERCEDES: 10/01/2022