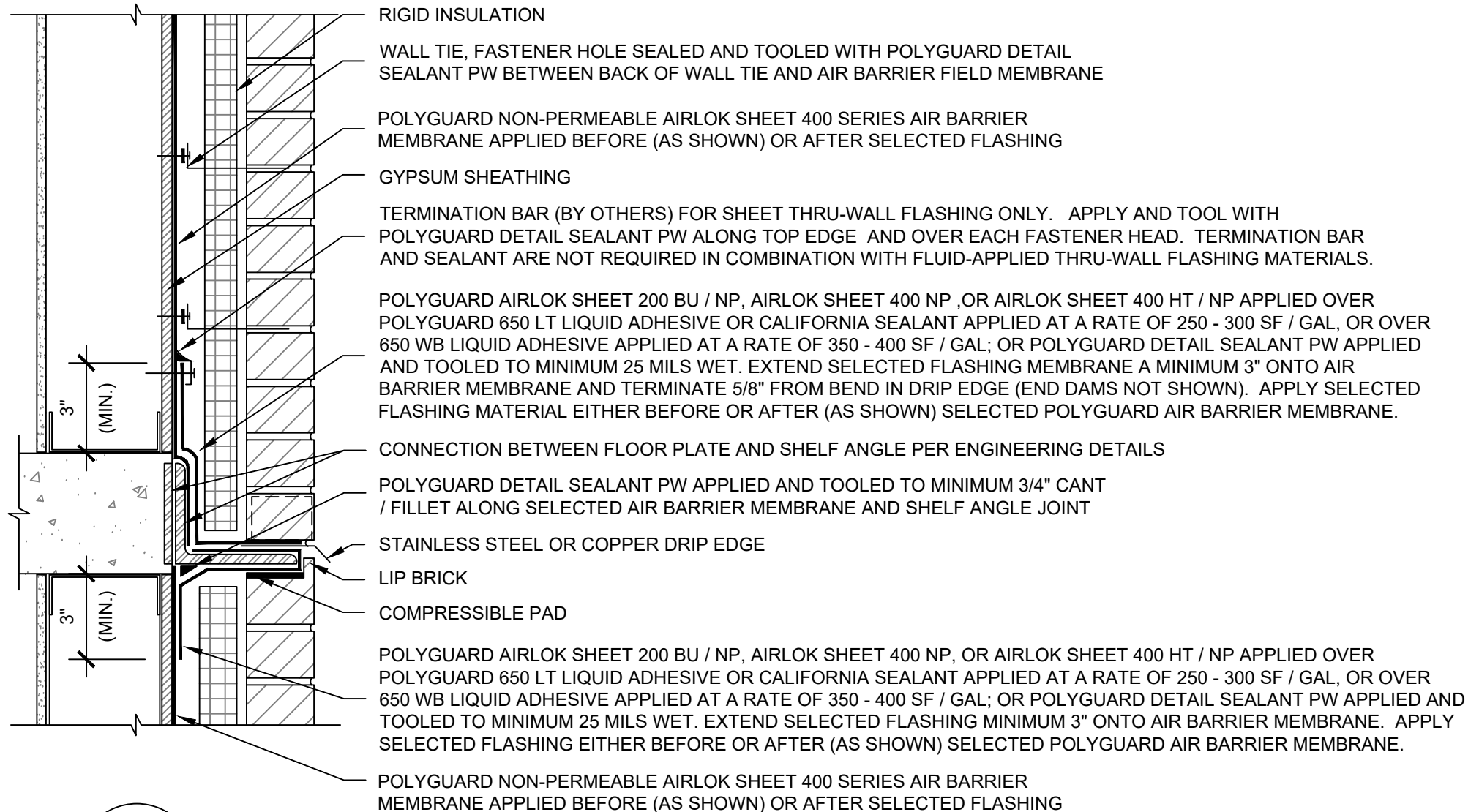


01
ASANP

SECTION @ FRAMED BACKING WALL / MASONRY VENEER - WALL BASE

| | |
|---|-------------------------------|
| <p>The information provided is based on data and knowledge considered to be true and accurate and is offered for the users' consideration, investigation and verification, but we do not warrant the results to be obtained. Please read all data sheets, statements, recommendations or suggestions in conjunction with our conditions of sale, which apply to all goods supplied by us.</p> | NOT TO SCALE |
| | EFFECTIVE DATE: 05/10/2024 |
| | SUPERCEDES: 10/01/2022 |



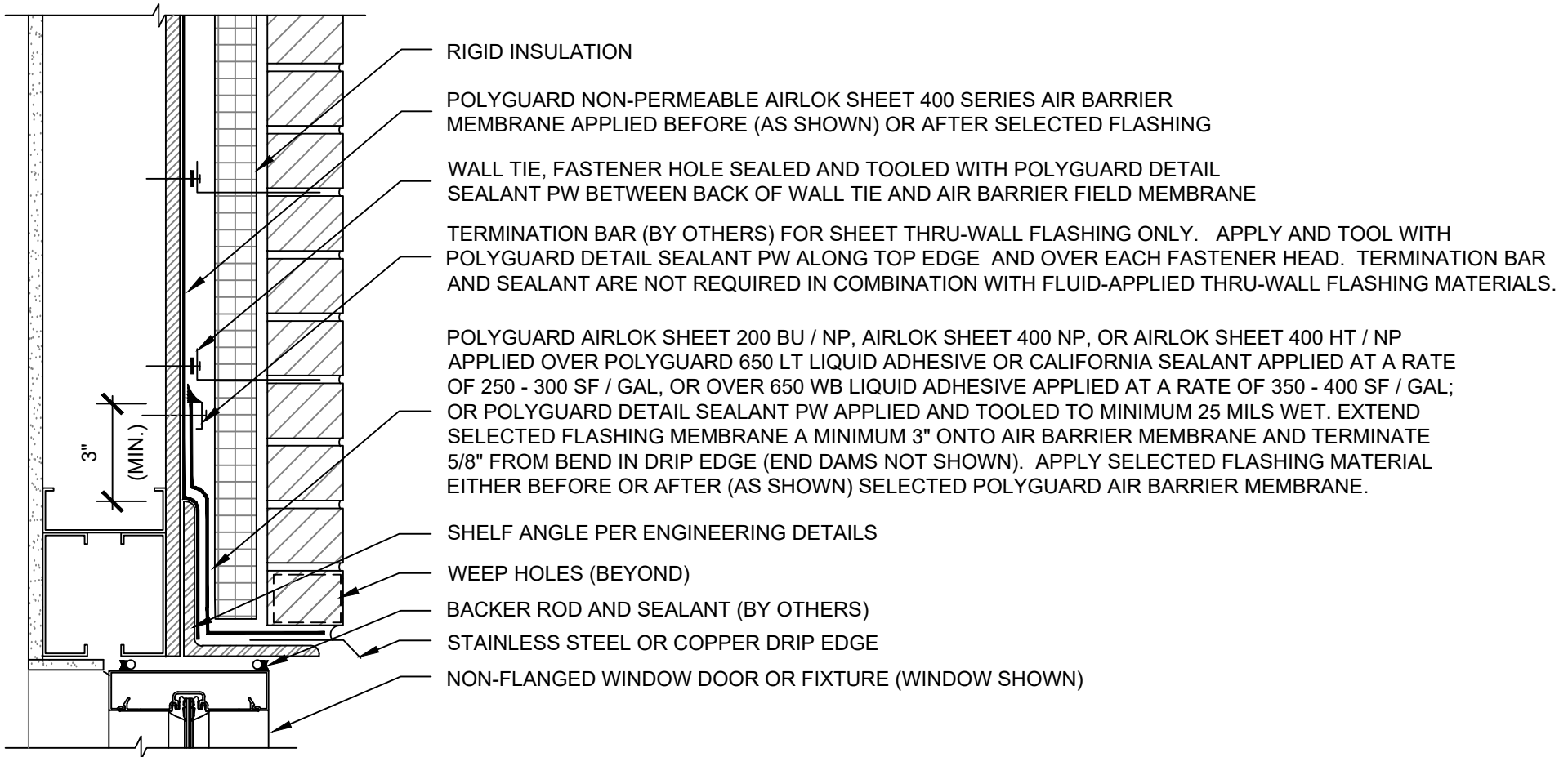
02
ASANP

SECTION @ FRAMED BACKING WALL / MASONRY VENEER - FLOOR TRANSITION

Polyguard Products, Inc.
P.O. Box 755 - Ennis, TX 75120
Phone: 214-515-5000
Web Site - www.polyguard.com

©POLYGUARD PRODUCTS, INC.
MATERIAL SEPARATED FOR CLARITY

| | |
|---|-------------------------------|
| <p>The information provided is based on data and knowledge considered to be true and accurate and is offered for the users' consideration, investigation and verification, but we do not warrant the results to be obtained. Please read all data sheets, statements, recommendations or suggestions in conjunction with our conditions of sale, which apply to all goods supplied by us.</p> | NOT TO SCALE |
| | EFFECTIVE DATE: 05/10/2024 |
| | SUPERCEDES: 10/01/2022 |



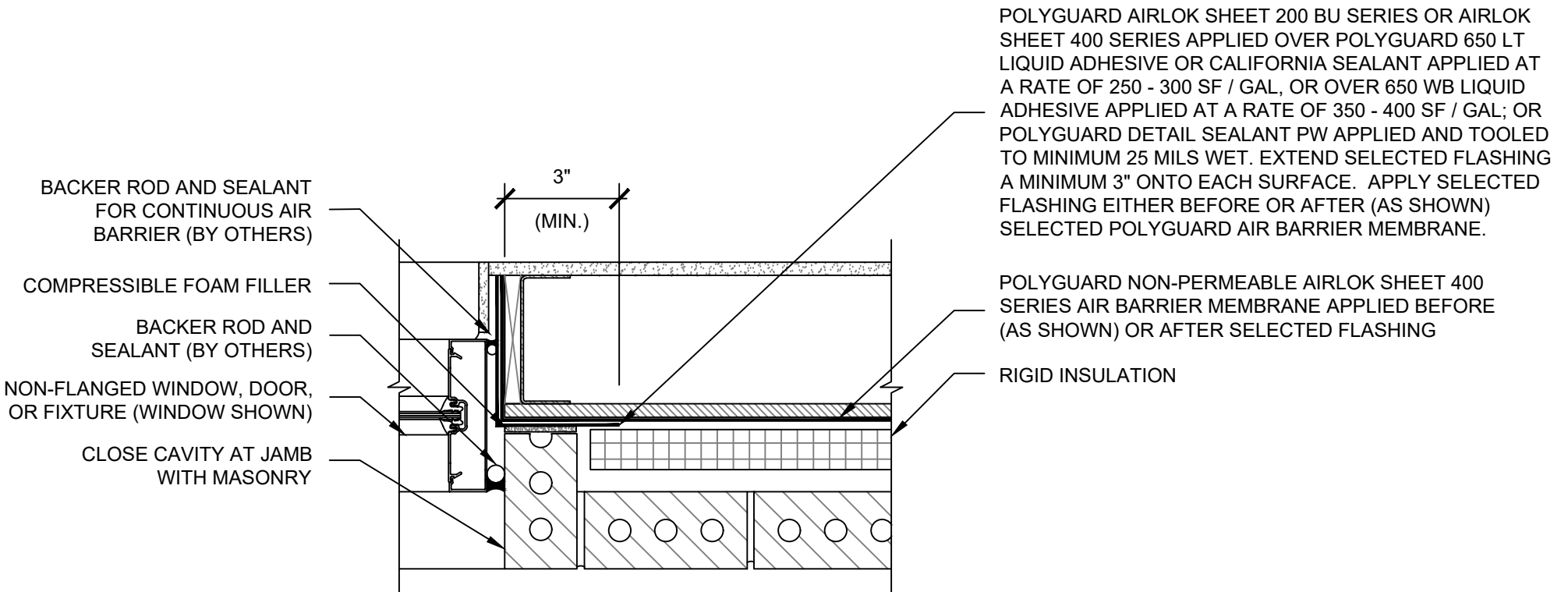
03
ASANP

SECTION @ FRAMED BACKING WALL / MASONRY VENEER - NON-FLANGED WINDOW, DOOR, OR FIXTURE HEAD

Polyguard Products, Inc.
P.O. Box 755 - Ennis, TX 75120
Phone: 214-515-5000
Web Site - www.polyguard.com

©POLYGUARD PRODUCTS, INC.
MATERIAL SEPARATED FOR CLARITY

| | |
|---|-------------------------------|
| <p>The information provided is based on data and knowledge considered to be true and accurate and is offered for the users' consideration, investigation and verification, but we do not warrant the results to be obtained. Please read all data sheets, statements, recommendations or suggestions in conjunction with our conditions of sale, which apply to all goods supplied by us.</p> | NOT TO SCALE |
| | EFFECTIVE DATE: 05/10/2024 |
| | SUPERCEDES: 10/01/2022 |



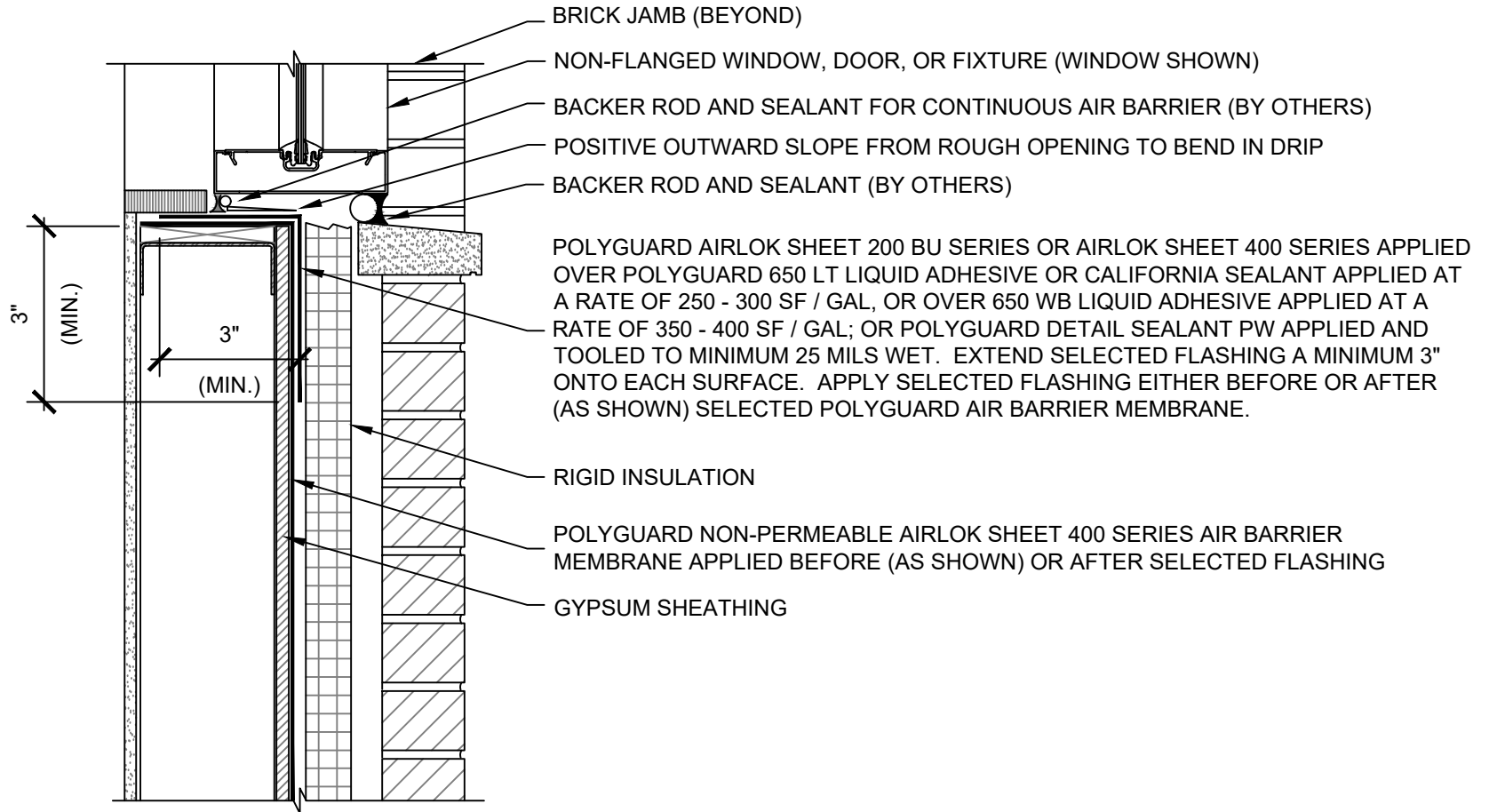
04
ASANP

PLAN @ FRAMED BACKING WALL / MASONRY VENEER - NON-FLANGED WINDOW, DOOR, OR FIXTURE JAMB

Polyguard Products, Inc.
P.O. Box 755 - Ennis, TX 75120
Phone: 214-515-5000
Web Site - www.polyguard.com

©POLYGUARD PRODUCTS, INC.
MATERIAL SEPARATED FOR CLARITY

| | |
|---|-------------------------------|
| <small>The information provided is based on data and knowledge considered to be true and accurate and is offered for the users' consideration, investigation and verification, but we do not warrant the results to be obtained. Please read all data sheets, statements, recommendations or suggestions in conjunction with our conditions of sale, which apply to all goods supplied by us.</small> | NOT TO SCALE |
| | EFFECTIVE DATE: 05/10/2024 |
| | SUPERCEDES: 10/01/2022 |



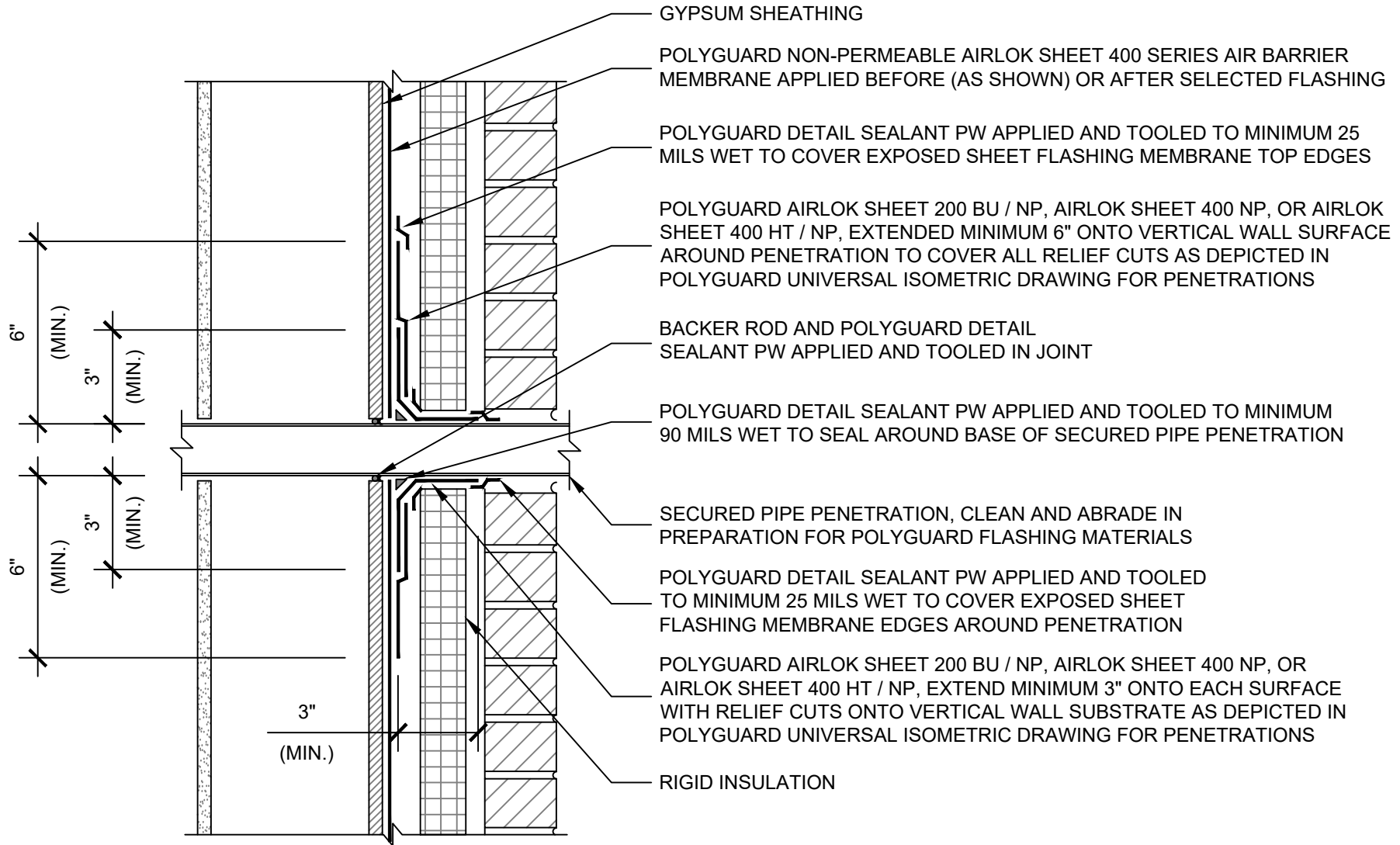
05
ASANP

SECTION @ FRAMED BACKING WALL / MASONRY VENEER - NON-FLANGED WINDOW, DOOR, OR FIXTURE SILL

Polyguard Products, Inc.
P.O. Box 755 - Ennis, TX 75120
Phone: 214-515-5000
Web Site - www.polyguard.com

©POLYGUARD PRODUCTS, INC.
MATERIAL SEPARATED FOR CLARITY

| | |
|---|-------------------------------|
| <small>The information provided is based on data and knowledge considered to be true and accurate and is offered for the users' consideration, investigation and verification, but we do not warrant the results to be obtained. Please read all data sheets, statements, recommendations or suggestions in conjunction with our conditions of sale, which apply to all goods supplied by us.</small> | NOT TO SCALE |
| | EFFECTIVE DATE: 05/10/2024 |
| | SUPERCEDES: 10/01/2022 |

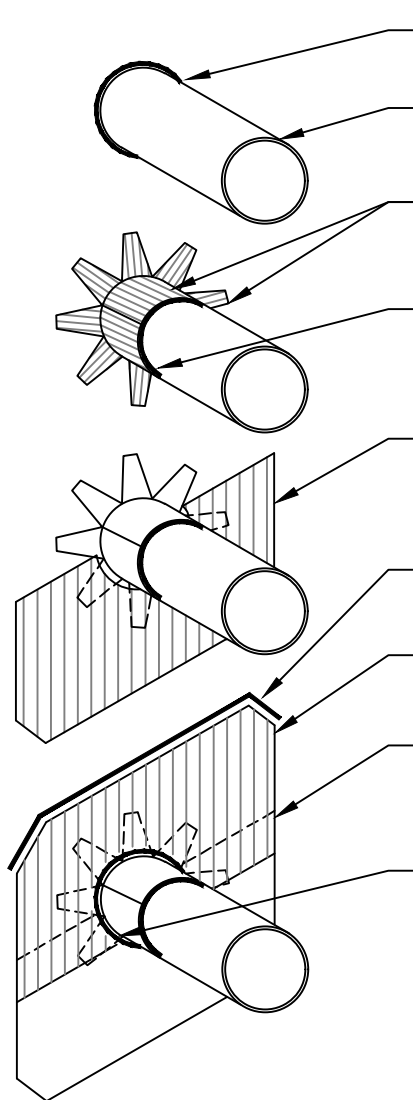


06A SECTION @ FRAMED BACKING WALL / MASONRY VENEER - UNIVERSAL SHEET FLASHING FOR PENETRATIONS
ASANP

Polyguard Products, Inc.
P.O. Box 755 - Ennis, TX 75120
Phone: 214-515-5000
Web Site - www.polyguard.com

©POLYGUARD PRODUCTS, INC.
MATERIAL SEPARATED FOR CLARITY

| | |
|---|-------------------------------|
| <small>The information provided is based on data and knowledge considered to be true and accurate and is offered for the users' consideration, investigation and verification, but we do not warrant the results to be obtained. Please read all data sheets, statements, recommendations or suggestions in conjunction with our conditions of sale, which apply to all goods supplied by us.</small> | NOT TO SCALE |
| | EFFECTIVE DATE: 05/10/2024 |
| | SUPERCEDES: 10/01/2022 |



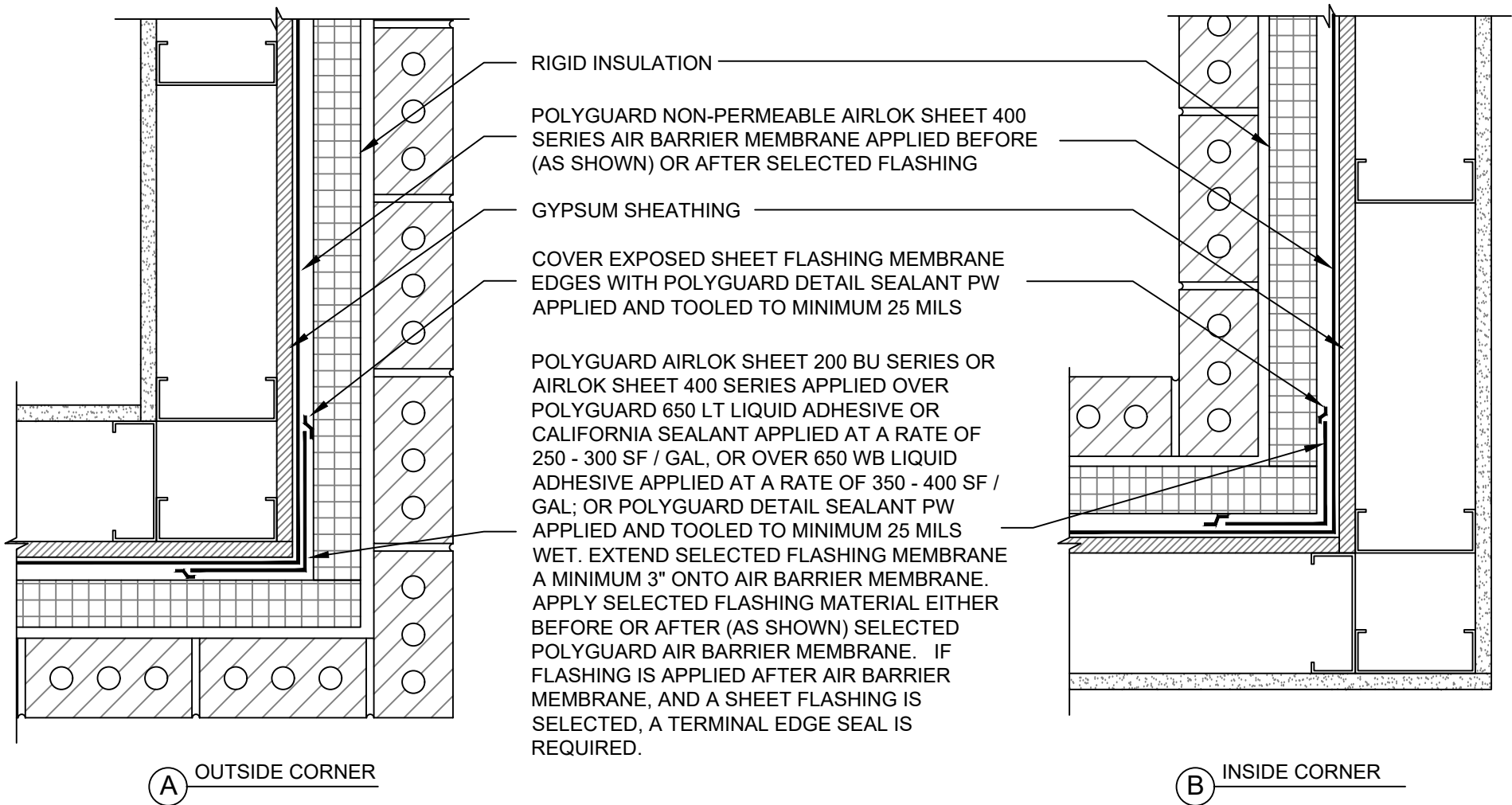
- (2) POLYGUARD DETAIL SEALANT PW APPLIED AND TOOLED TO MINIMUM 90 MILS WET TO SEAL AROUND BASE OF SECURED PIPE PENETRATION
- (1) SECURED PIPE PENETRATION, CLEAN AND ABRAD IN PREPARATION FOR POLYGUARD FLASHING MATERIALS
- (3) FIRST PIECE: HIGH-TECH-CUT PIECE OF POLYGUARD AIRLOK SHEET 200 BU / NP, AIRLOK SHEET 400 NP, OR AIRLOK SHEET 400 HT / NP, EXTEND MINIMUM 3" ONTO EACH SURFACE WITH RELIEF CUTS ONTO VERTICAL WALL
- (4) POLYGUARD DETAIL SEALANT PW APPLIED AND TOOLED TO MINIMUM 25 MILS TO COVER EXPOSED SHEET FLASHING MEMBRANE EDGE AROUND PENETRATION
- (5) SECOND PIECE: POLYGUARD AIRLOK SHEET 200 BU / NP, AIRLOK SHEET 400 NP, OR AIRLOK SHEET 400 HT / NP, EXTEND MINIMUM 6" ONTO VERTICAL WALL SURFACE AROUND PENETRATION TO COVER ALL RELIEF CUTS AND EXTEND MINIMUM 3" BEYOND RELIEF CUTS. PROVIDE ROUNDED OUTSIDE CORNERS
- (8) POLYGUARD DETAIL SEALANT PW APPLIED AND TOOLED TO MINIMUM 25 MILS WET TO COVER EXPOSED SHEET FLASHING MEMBRANE TOP EDGES
- (7) PROVIDE FILLET / ROUNDED EDGES ON SHEET FLASHING EXPOSED OUTSIDE CORNERS
- (6) THIRD PIECE: POLYGUARD AIRLOK SHEET 200 BU / NP, AIRLOK SHEET 400 NP, OR AIRLOK SHEET 400 HT / NP, EXTEND MINIMUM 6" ONTO VERTICAL WALL SURFACE AROUND PENETRATION TO COVER ALL RELIEF CUTS AND EXTEND MINIMUM 3" BEYOND RELIEF CUTS
- (9) POLYGUARD DETAIL SEALANT PW APPLIED AND TOOLED TO MINIMUM 25 MILS TO COVER SHEET FLASHING MEMBRANE EDGES AROUND SECURED PENETRATION

GENERAL NOTE: POLYGUARD NON-PERMEABLE AIRLOK SHEET 400 SERIES AIR BARRIER MEMBRANE APPLIED BEFORE OR AFTER SELECTED FLASHING

06B

ISOMETRIC @ UNIVERSAL SHEET FLASHING FOR PENETRATIONS

ASANP



07

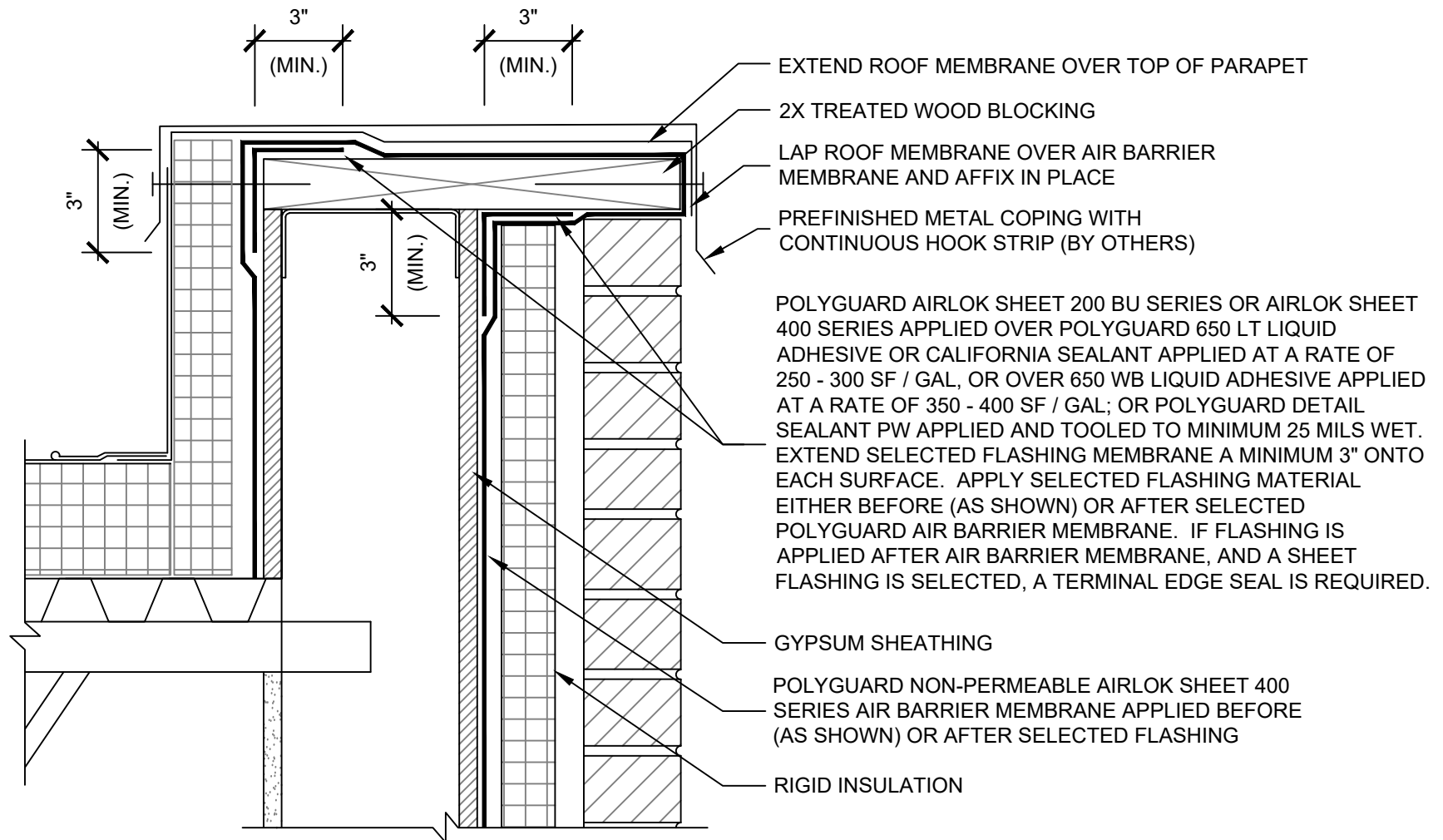
PLAN @ FRAMED BACKING WALL / MASONRY VENEER - CORNER DETAILS

ASANP

Polyguard Products, Inc.
P.O. Box 755 - Ennis, TX 75120
Phone: 214-515-5000
Web Site - www.polyguard.com

©POLYGUARD PRODUCTS, INC.
MATERIAL SEPARATED FOR CLARITY

| | |
|---|-------------------------------|
| <p>The information provided is based on data and knowledge considered to be true and accurate and is offered for the users' consideration, investigation and verification, but we do not warrant the results to be obtained. Please read all data sheets, statements, recommendations or suggestions in conjunction with our conditions of sale, which apply to all goods supplied by us.</p> | NOT TO SCALE |
| | EFFECTIVE DATE: 05/10/2024 |
| | SUPERCEDES: 10/01/2022 |



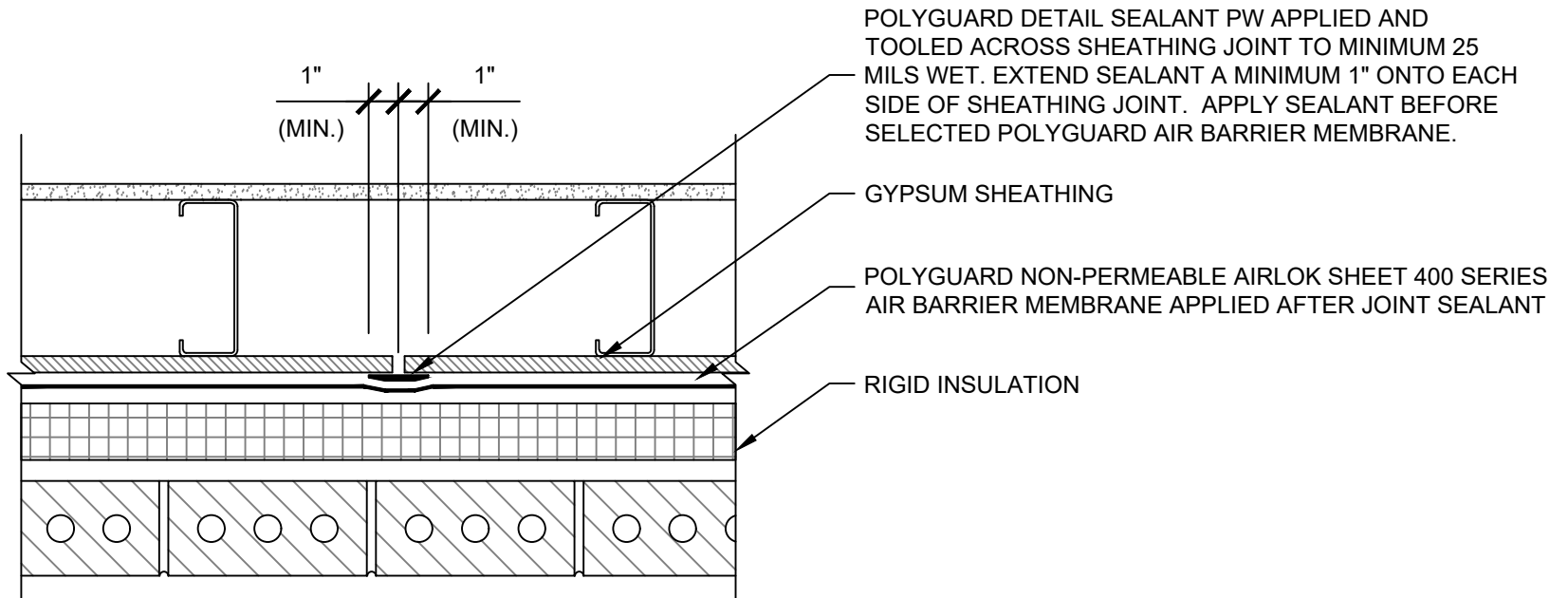
08
ASANP

SECTION @ FRAMED BACKING WALL / MASONRY VENEER - PARAPET

©POLYGUARD PRODUCTS, INC.
MATERIAL SEPARATED FOR CLARITY

Polyguard Products, Inc.
P.O. Box 755 - Ennis, TX 75120
Phone: 214-515-5000
Web Site - www.polyguard.com

| | |
|---|-------------------------------|
| <p>The information provided is based on data and knowledge considered to be true and accurate and is offered for the users' consideration, investigation and verification, but we do not warrant the results to be obtained. Please read all data sheets, statements, recommendations or suggestions in conjunction with our conditions of sale, which apply to all goods supplied by us.</p> | NOT TO SCALE |
| | EFFECTIVE DATE: 05/10/2024 |
| | SUPERCEDES: 10/01/2022 |



09
ASANP

PLAN @ FRAMED BACKING WALL / MASONRY VENEER - SUBSTRATE JOINT

Polyguard Products, Inc.
P.O. Box 755 - Ennis, TX 75120
Phone: 214-515-5000
Web Site - www.polyguard.com

©POLYGUARD PRODUCTS, INC.
MATERIAL SEPARATED FOR CLARITY

| | |
|--|-------------------------------|
| The information provided is based on data and knowledge considered to be true and accurate and is offered for the users' consideration, investigation and verification, but we do not warrant the results to be obtained. Please read all data sheets, statements, recommendations or suggestions in conjunction with our conditions of sale, which apply to all goods supplied by us. | NOT TO SCALE |
| | EFFECTIVE DATE: 05/10/2024 |
| | SUPERCEDES: 10/01/2022 |

BACKER ROD AND POLYGUARD DETAIL SEALANT PW APPLIED AND TOOLED IN JOINT

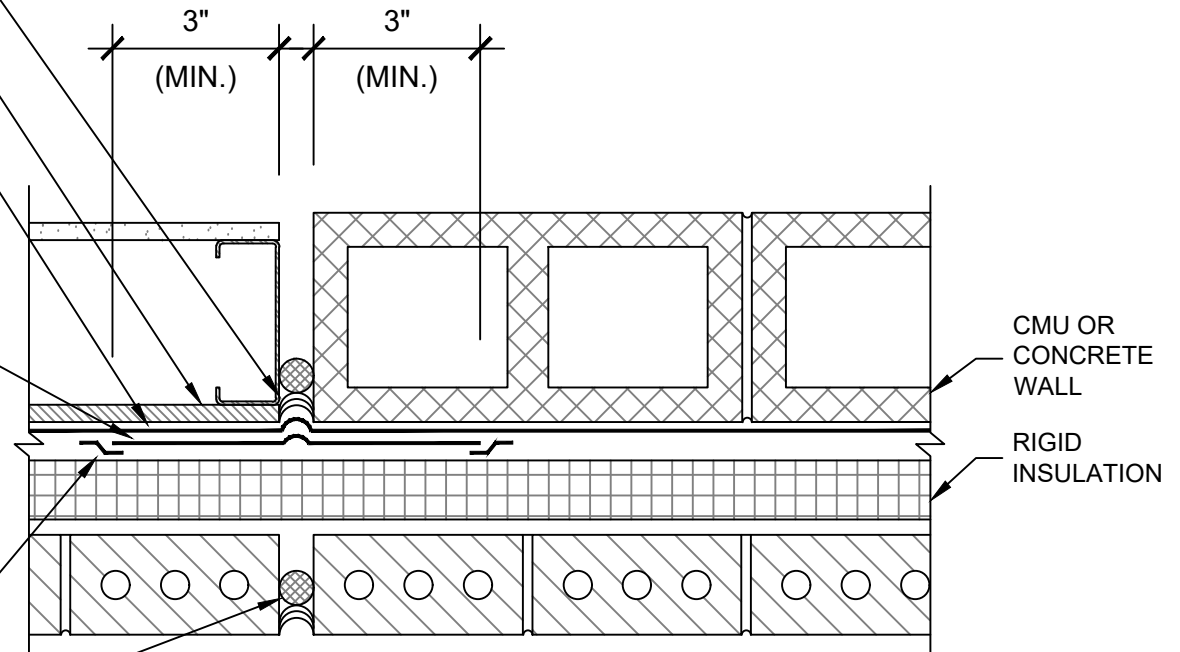
GYPHUM SHEATHING

POLYGUARD NON-PERMEABLE AIRLOK SHEET 400 SERIES AIR BARRIER MEMBRANE APPLIED BEFORE (AS SHOWN) OR AFTER SELECTED FLASHING

POLYGUARD AIRLOK SHEET 200 BU / NP SERIES OR AIRLOK SHEET 400 NP SERIES APPLIED OVER POLYGUARD 650 LT LIQUID ADHESIVE OR CALIFORNIA SEALANT APPLIED AT A RATE OF 250 - 300 SF / GAL, OR OVER 650 WB LIQUID ADHESIVE APPLIED AT A RATE OF 350 - 400 SF / GAL. EXTEND SELECTED FLASHING MEMBRANE A MINIMUM 3" ONTO EACH SIDE OF JOINT. APPLY SELECTED FLASHING MATERIAL EITHER BEFORE OR AFTER (AS SHOWN) SELECTED POLYGUARD AIR BARRIER MEMBRANE.

COVER EXPOSED SHEET FLASHING MEMBRANE EDGES WITH POLYGUARD DETAIL SEALANT PW APPLIED AND TOOLED TO MINIMUM 25 MILS

BACKER ROD AND SEALANT (BY OTHERS)



10
ASANP

PLAN @ FRAMED BACKING WALL / MASONRY VENEER - TRANSITION JOINT

Polyguard Products, Inc.
P.O. Box 755 - Ennis, TX 75120
Phone: 214-515-5000
Web Site - www.polyguard.com

©POLYGUARD PRODUCTS, INC.
MATERIAL SEPARATED FOR CLARITY

| | |
|---|-------------------------------|
| <p>The information provided is based on data and knowledge considered to be true and accurate and is offered for the users' consideration, investigation and verification, but we do not warrant the results to be obtained. Please read all data sheets, statements, recommendations or suggestions in conjunction with our conditions of sale, which apply to all goods supplied by us.</p> | NOT TO SCALE |
| | EFFECTIVE DATE: 05/10/2024 |
| | SUPERCEDES: 10/01/2022 |

BACKER ROD AND POLYGUARD DETAIL SEALANT PW APPLIED AND TOOLED IN JOINT

GYPSUM SHEATHING

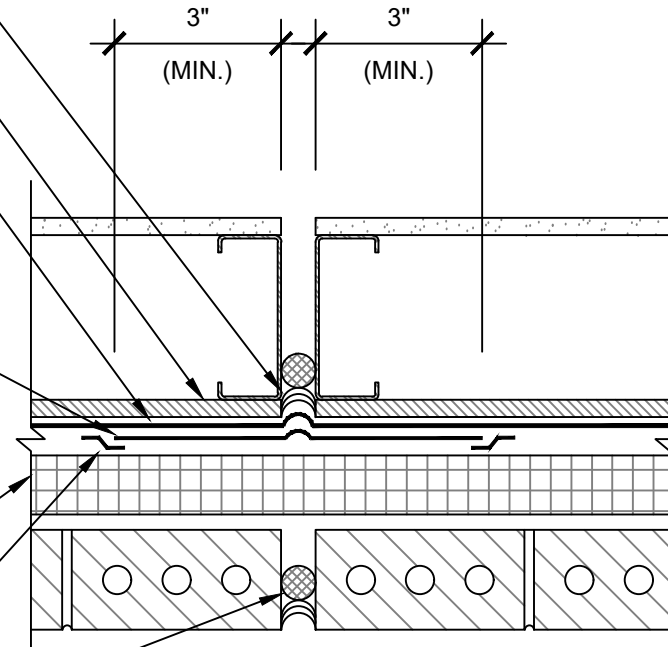
POLYGUARD NON-PERMEABLE AIRLOK SHEET 400 SERIES AIR BARRIER MEMBRANE APPLIED BEFORE (AS SHOWN) OR AFTER SELECTED FLASHING

POLYGUARD AIRLOK SHEET 200 BU / NP SERIES OR AIRLOK SHEET 400 NP SERIES APPLIED OVER POLYGUARD 650 LT LIQUID ADHESIVE OR CALIFORNIA SEALANT APPLIED AT A RATE OF 250 - 300 SF / GAL, OR OVER 650 WB LIQUID ADHESIVE APPLIED AT A RATE OF 350 - 400 SF / GAL. EXTEND SELECTED FLASHING MEMBRANE A MINIMUM 3" ONTO EACH SIDE OF JOINT. APPLY SELECTED FLASHING MATERIAL EITHER BEFORE OR AFTER (AS SHOWN) SELECTED POLYGUARD AIR BARRIER MEMBRANE.

RIGID INSULATION

COVER EXPOSED SHEET FLASHING MEMBRANE EDGES WITH POLYGUARD DETAIL SEALANT PW APPLIED AND TOOLED TO MINIMUM 25 MILS WET

BACKER ROD AND SEALANT (BY OTHERS)



11
ASANP

PLAN @ FRAMED BACKING WALL / MASONRY VENEER - EXPANSION / CONTROL JOINT

Polyguard Products, Inc.
P.O. Box 755 - Ennis, TX 75120
Phone: 214-515-5000
Web Site - www.polyguard.com

©POLYGUARD PRODUCTS, INC.
MATERIAL SEPARATED FOR CLARITY

| | |
|---|-------------------------------|
| <small>The information provided is based on data and knowledge considered to be true and accurate and is offered for the users' consideration, investigation and verification, but we do not warrant the results to be obtained. Please read all data sheets, statements, recommendations or suggestions in conjunction with our conditions of sale, which apply to all goods supplied by us.</small> | NOT TO SCALE |
| | EFFECTIVE DATE: 05/10/2024 |
| | SUPERCEDES: 10/01/2022 |