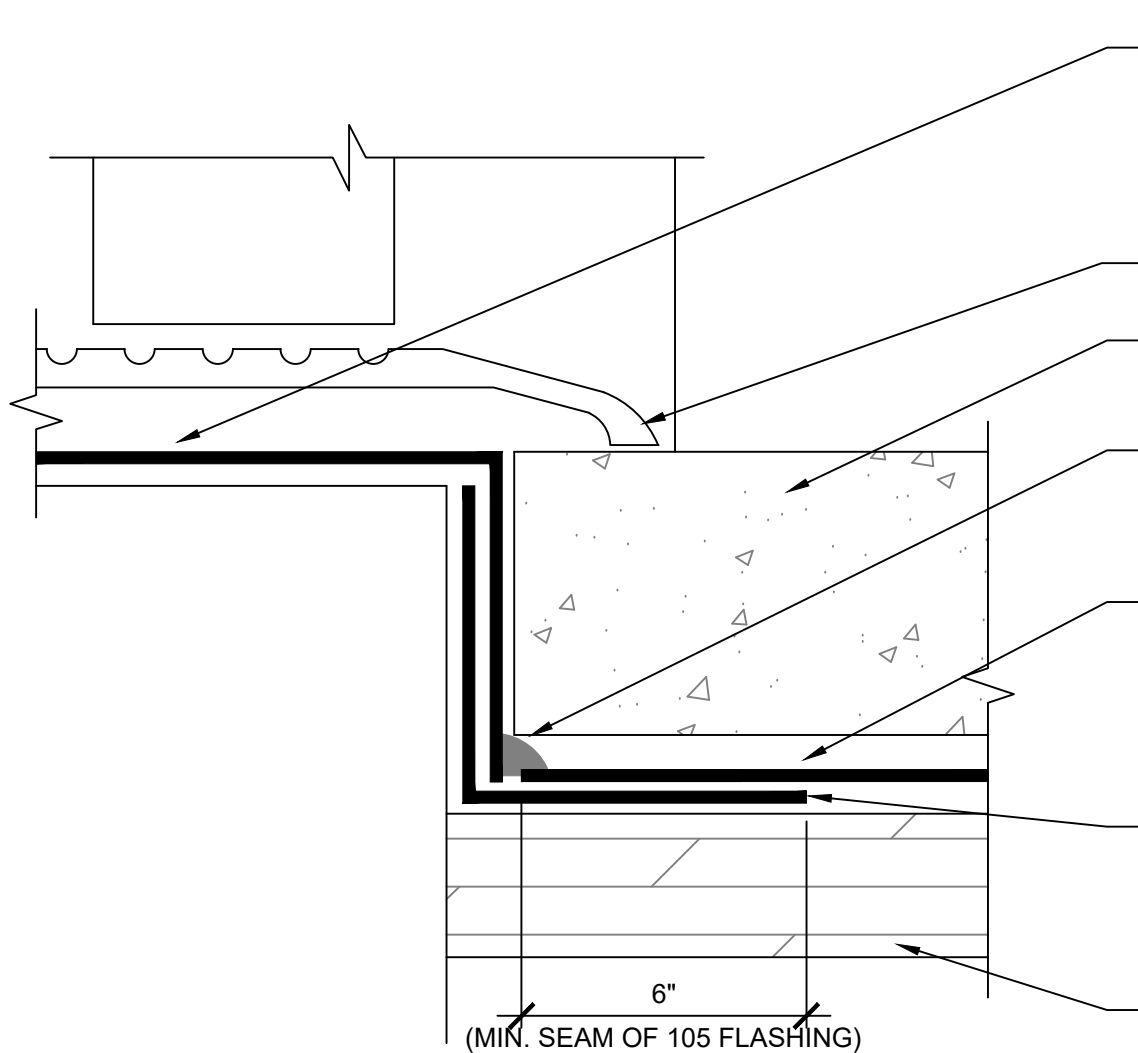


BW7a SECTION @ EDGE DETAIL - (OPTION 1)

SPECIAL NOTE: IF ADHESIVE IS REQUIRED FOR SEAMS OR ENDLAPS DO NOT USE POLYGUARD 650 WB LIQUID ADHESIVE

<small>The information provided is based on data and knowledge considered to be true and accurate and is offered for the users' consideration, investigation and verification, but we do not warrant the results to be obtained. Please read all data sheets, statements, recommendations or suggestions in conjunction with our conditions of sale, which apply to all goods supplied by us.</small>	NOT TO SCALE
	EFFECTIVE DATE: 11/11/2024
	SUPERCEDES: 07/15/2024



APPLY A STRIP OF POLYGUARD BALCONY SHEET MEMBRANE SERIES WATERPROOFING OVER POLYGUARD 650 LT LIQUID ADHESIVE OR POLYGUARD CALIFORNIA SEALANT APPLIED AT A RATE OF 250 -300 SF / GAL OR POLYGUARD 650 WB LIQUID ADHESIVE APPLIED AT A RATE OF 350 -400 SF / GAL EXTENDING UP 2" ONTO DOOR JAMB TO CREATE A THRESHOLD PAN.

FASTEN DOOR THRESHOLD TO SILL WITH SCREWS - BY OTHERS

CONCRETE SLAB - BY OTHERS

POLYGUARD DETAIL SEALANT PW OR POLYGUARD LM-95 APPLIED AND TOOLED - REFER TO BW3

POLYGUARD BALCONY SHEET MEMBRANE SERIES WATERPROOFING OVER POLYGUARD 650 LT LIQUID ADHESIVE OR POLYGUARD CALIFORNIA SEALANT APPLIED AT A RATE OF 250 - 300 SF / GAL OR POLYGUARD 650 WB LIQUID ADHESIVE APPLIED AT A RATE OF 350 - 400 SF / GAL

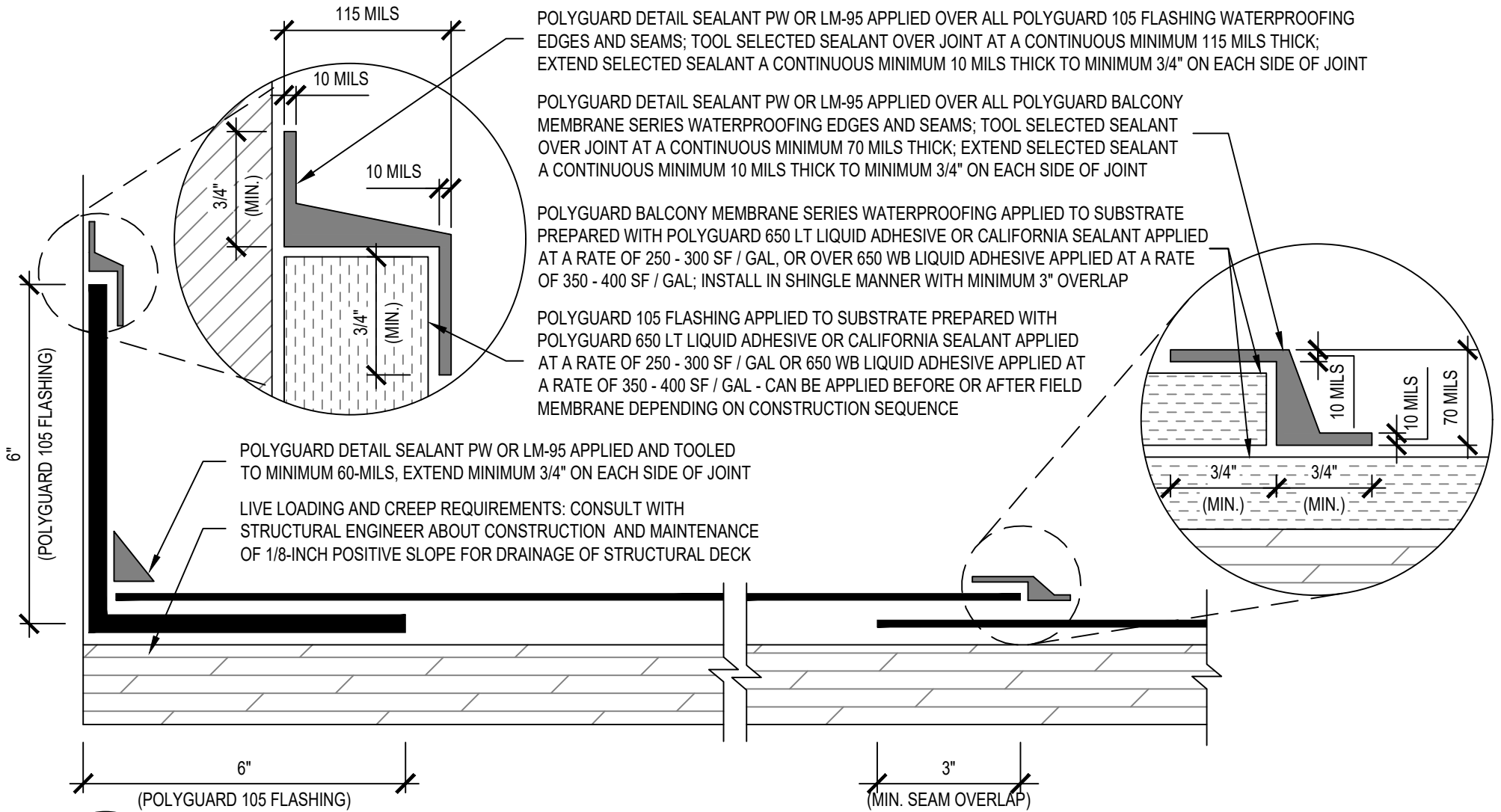
POLYGUARD 105 FLASHING OVER POLYGUARD 650 LT LIQUID ADHESIVE OR POLYGUARD CALIFORNIA SEALANT APPLIED AT A RATE OF 250 - 300 SF / GAL OR POLYGUARD 650 WB LIQUID ADHESIVE APPLIED AT A RATE OF 350 -400 SF / GAL - FLASHING CAN BE APPLIED BEFORE OR AFTER THE FIELD MEMBRANE DEPENDING ON CONSTRUCTION SEQUENCE

LIVE LOADING AND CREEP REQUIREMENTS: CONSULT WITH STRUCTURAL ENGINEER ABOUT CONSTRUCTION AND MAINTENANCE OF 1/8-INCH POSITIVE SLOPE FOR DRAINAGE OF STRUCTURAL DECK

BW2 SECTION @ THRESHOLD DETAIL - POSITIVE SLOPE

SPECIAL NOTE: IF ADHESIVE IS REQUIRED FOR SEAMS OR ENDLAPS DO NOT USE POLYGUARD 650 WB LIQUID ADHESIVE

<small>The information provided is based on data and knowledge considered to be true and accurate and is offered for the users' consideration, investigation and verification, but we do not warrant the results to be obtained. Please read all data sheets, statements, recommendations or suggestions in conjunction with our conditions of sale, which apply to all goods supplied by us.</small>	NOT TO SCALE
	EFFECTIVE DATE: 07/15/2024
	SUPERCEDES: 06/06/2023



POLYGUARD DETAIL SEALANT PW OR LM-95 APPLIED OVER ALL POLYGUARD 105 FLASHING WATERPROOFING EDGES AND SEAMS; TOOL SELECTED SEALANT OVER JOINT AT A CONTINUOUS MINIMUM 115 MILS THICK; EXTEND SELECTED SEALANT A CONTINUOUS MINIMUM 10 MILS THICK TO MINIMUM 3/4" ON EACH SIDE OF JOINT

POLYGUARD DETAIL SEALANT PW OR LM-95 APPLIED OVER ALL POLYGUARD BALCONY MEMBRANE SERIES WATERPROOFING EDGES AND SEAMS; TOOL SELECTED SEALANT OVER JOINT AT A CONTINUOUS MINIMUM 70 MILS THICK; EXTEND SELECTED SEALANT A CONTINUOUS MINIMUM 10 MILS THICK TO MINIMUM 3/4" ON EACH SIDE OF JOINT

POLYGUARD BALCONY MEMBRANE SERIES WATERPROOFING APPLIED TO SUBSTRATE PREPARED WITH POLYGUARD 650 LT LIQUID ADHESIVE OR CALIFORNIA SEALANT APPLIED AT A RATE OF 250 - 300 SF / GAL, OR OVER 650 WB LIQUID ADHESIVE APPLIED AT A RATE OF 350 - 400 SF / GAL; INSTALL IN SHINGLE MANNER WITH MINIMUM 3" OVERLAP

POLYGUARD 105 FLASHING APPLIED TO SUBSTRATE PREPARED WITH POLYGUARD 650 LT LIQUID ADHESIVE OR CALIFORNIA SEALANT APPLIED AT A RATE OF 250 - 300 SF / GAL OR 650 WB LIQUID ADHESIVE APPLIED AT A RATE OF 350 - 400 SF / GAL - CAN BE APPLIED BEFORE OR AFTER FIELD MEMBRANE DEPENDING ON CONSTRUCTION SEQUENCE

POLYGUARD DETAIL SEALANT PW OR LM-95 APPLIED AND TOOLED TO MINIMUM 60-MILS, EXTEND MINIMUM 3/4" ON EACH SIDE OF JOINT

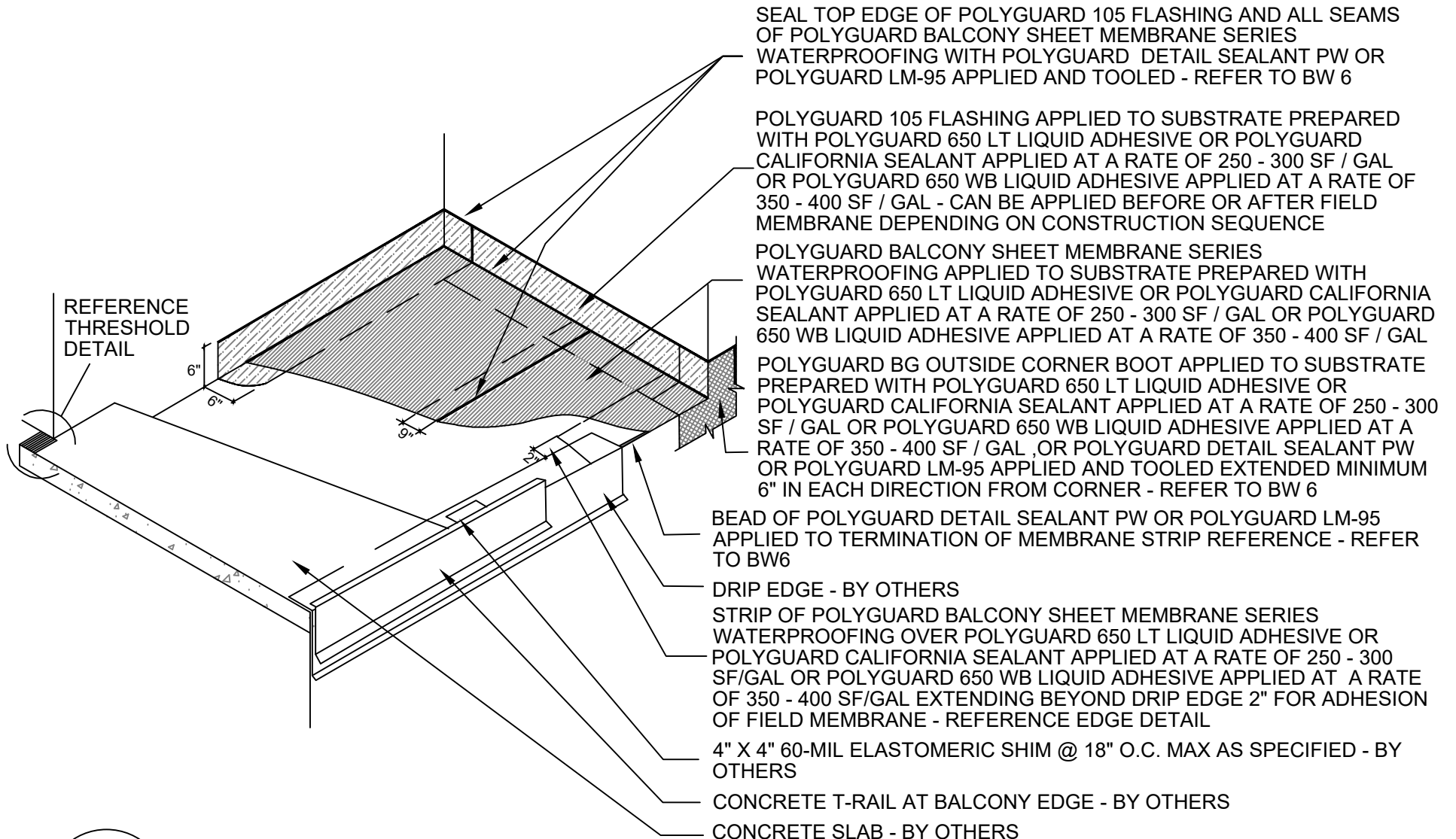
LIVE LOADING AND CREEP REQUIREMENTS: CONSULT WITH STRUCTURAL ENGINEER ABOUT CONSTRUCTION AND MAINTENANCE OF 1/8-INCH POSITIVE SLOPE FOR DRAINAGE OF STRUCTURAL DECK

BW3 SECTION @ BALCONY MEMBRANE SERIES WATERPROOFING - OVERLAP / EDGE OVERVIEW (POSITIVE SLOPE)

GENERAL NOTE: IF ADHESIVE IS REQUIRED FOR SEAMS OR END LAPS, DO NOT USE POLYGUARD 650 WB LIQUID ADHESIVE.

MATERIAL SEPARATED FOR CLARITY
© POLYGUARD PRODUCTS, INC.

The information provided is based on data and knowledge considered to be true and accurate and is offered for the users' consideration, investigation and verification, but we do not warrant the results to be obtained. Please read all data sheets, statements, recommendations or suggestions in conjunction with our conditions of sale, which apply to all goods supplied by us.	NOT TO SCALE
	EFFECTIVE DATE: 07/15/2024
	SUPERCEDES: 06/07/2023



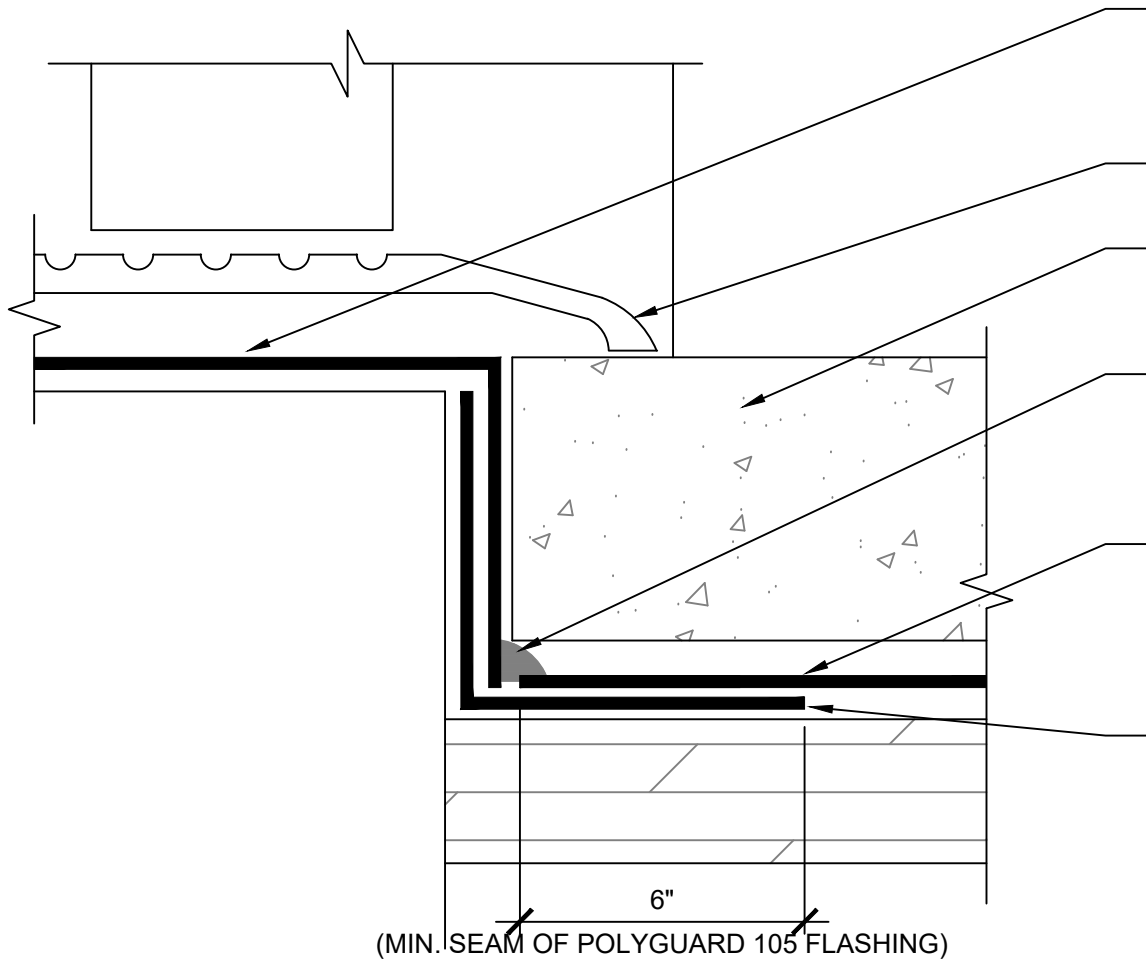
BW4

ISOMETRIC @ OVERVIEW ZERO SLOPE BALCONY DECK

SPECIAL NOTE: IF ADHESIVE IS REQUIRED FOR SEAMS OR END LAPS, DO NOT USE POLYGUARD 650 WB LIQUID ADHESIVE

©POLYGUARD PRODUCTS, INC.
MATERIAL SEPARATED FOR CLARITY

The information provided is based on data and knowledge considered to be true and accurate and is offered for the users' consideration, investigation and verification, but we do not warrant the results to be obtained. Please read all data sheets, statements, recommendations or suggestions in conjunction with our conditions of sale, which apply to all goods supplied by us.	NOT TO SCALE
	EFFECTIVE DATE: 07/15/2023
	SUPERCEDES: 06/06/2023



APPLY A STRIP OF POLYGUARD BALCONY SHEET MEMBRANE SERIES WATERPROOFING OVER POLYGUARD 650 LT LIQUID ADHESIVE OR POLYGAURD CALIFORNIA SEALANT APPLIED AT A RATE OF 250 -300 SF / GAL OR POLYGUARD 650 WB LIQUID ADHESIVE APPLIED AT A RATE OF 350 -400 SF / GAL EXTENDING UP 2" ONTO DOOR JAMB

FASTEN DOOR THRESHOLD TO SILL WITH SCREWS - BY OTHERS

CONCRETE SLAB - BY OTHERS

POLYGUARD DETAILS SEALANT PW OR POLYGUARD LM-95 APPLIED AND TOOLED - REFER TO BW6

POLYGUARD BALCONY SHEET MEMBRANE SERIES WATERPROOFING OVER POLYGUARD 650 LT LIQUID ADHESIVE OR POLYGUARD CALIFORNIA SEALANT APPLIED AT A RATE OF 250 - 300 SF / GAL OR POLYGUARD 650 WB LIQUID ADHESIVE APPLIED AT A RATE OF 350 - 400 SF / GAL

POLYGUARD 105 FLASHING OVER POLYGUARD 650 LT LIQUID ADHESIVE OR POLYGUARD CALIFORNIA SEALANT APPLIED AT A RATE OF 250 - 300 SF / GAL OR POLYGUARD 650 WB LIQUID ADHESIVE APPLIED AT A RATE OF 350 - 400 SF / GAL - APPLIED BEFORE OR AFTER THE FIELD MEMBRANE DEPENDING ON CONSTRUCTION SEQUENCE

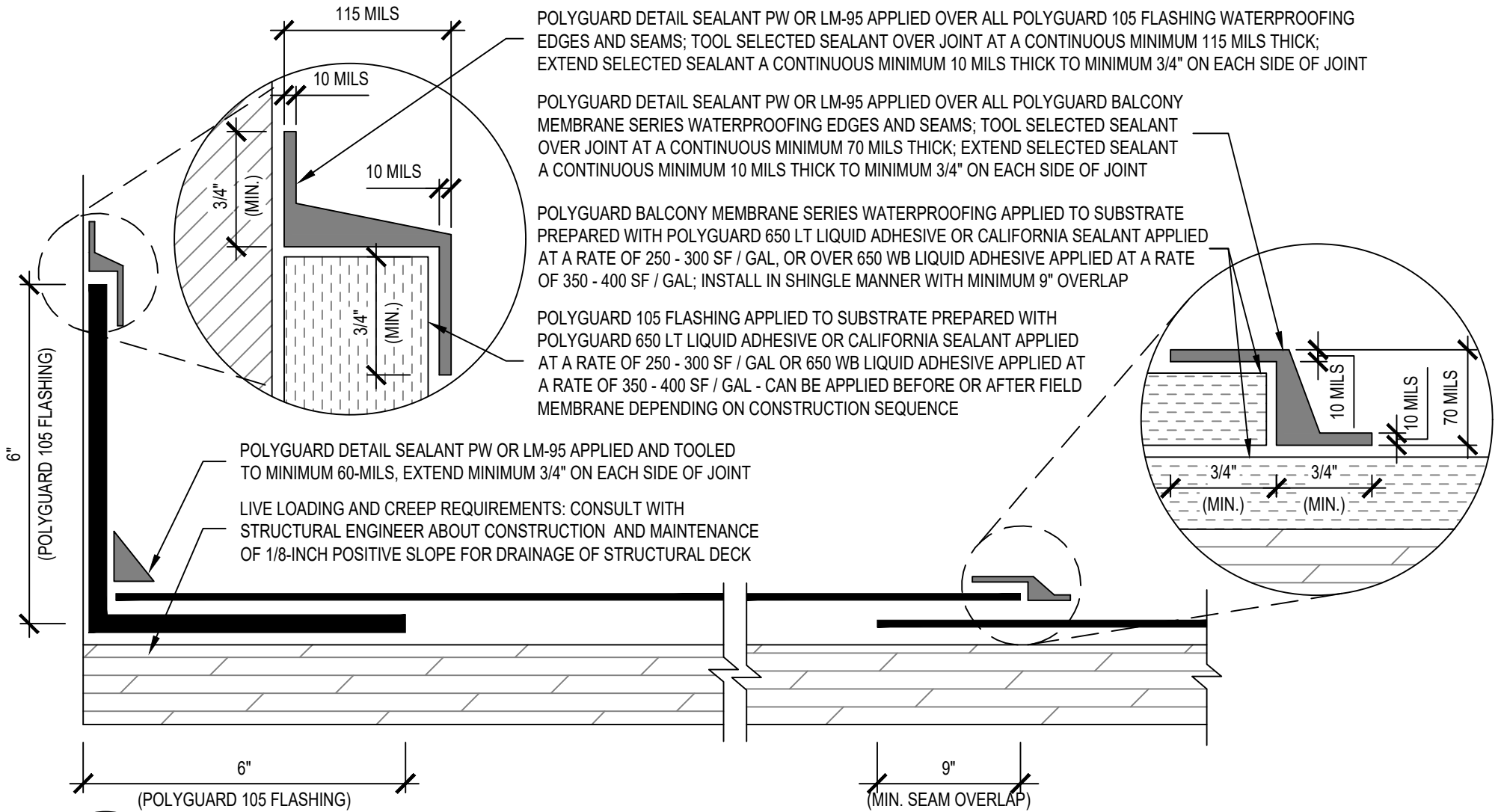
(MIN. SEAM OF POLYGUARD 105 FLASHING)

BW5

SECTION @ THRESHOLD DETAIL - ZERO SLOPE BALCONY DECK

SPECIAL NOTE: IF ADHESIVE IS REQUIRED FOR SEAMS OR ENDLAPS DO NOT USE POLYGUARD 650 WB LIQUID ADHESIVE

<small>The information provided is based on data and knowledge considered to be true and accurate and is offered for the users' consideration, investigation and verification, but we do not warrant the results to be obtained. Please read all data sheets, statements, recommendations or suggestions in conjunction with our conditions of sale, which apply to all goods supplied by us.</small>	NOT TO SCALE
	EFFECTIVE DATE: 07/15/2024
	SUPERCEDES: 06/06/2023



POLYGUARD DETAIL SEALANT PW OR LM-95 APPLIED OVER ALL POLYGUARD 105 FLASHING WATERPROOFING EDGES AND SEAMS; TOOL SELECTED SEALANT OVER JOINT AT A CONTINUOUS MINIMUM 115 MILS THICK; EXTEND SELECTED SEALANT A CONTINUOUS MINIMUM 10 MILS THICK TO MINIMUM 3/4" ON EACH SIDE OF JOINT

POLYGUARD DETAIL SEALANT PW OR LM-95 APPLIED OVER ALL POLYGUARD BALCONY MEMBRANE SERIES WATERPROOFING EDGES AND SEAMS; TOOL SELECTED SEALANT OVER JOINT AT A CONTINUOUS MINIMUM 70 MILS THICK; EXTEND SELECTED SEALANT A CONTINUOUS MINIMUM 10 MILS THICK TO MINIMUM 3/4" ON EACH SIDE OF JOINT

POLYGUARD BALCONY MEMBRANE SERIES WATERPROOFING APPLIED TO SUBSTRATE PREPARED WITH POLYGUARD 650 LT LIQUID ADHESIVE OR CALIFORNIA SEALANT APPLIED AT A RATE OF 250 - 300 SF / GAL, OR OVER 650 WB LIQUID ADHESIVE APPLIED AT A RATE OF 350 - 400 SF / GAL; INSTALL IN SHINGLE MANNER WITH MINIMUM 9" OVERLAP

POLYGUARD 105 FLASHING APPLIED TO SUBSTRATE PREPARED WITH POLYGUARD 650 LT LIQUID ADHESIVE OR CALIFORNIA SEALANT APPLIED AT A RATE OF 250 - 300 SF / GAL OR 650 WB LIQUID ADHESIVE APPLIED AT A RATE OF 350 - 400 SF / GAL - CAN BE APPLIED BEFORE OR AFTER FIELD MEMBRANE DEPENDING ON CONSTRUCTION SEQUENCE

POLYGUARD DETAIL SEALANT PW OR LM-95 APPLIED AND TOOLED TO MINIMUM 60-MILS, EXTEND MINIMUM 3/4" ON EACH SIDE OF JOINT

LIVE LOADING AND CREEP REQUIREMENTS: CONSULT WITH STRUCTURAL ENGINEER ABOUT CONSTRUCTION AND MAINTENANCE OF 1/8-INCH POSITIVE SLOPE FOR DRAINAGE OF STRUCTURAL DECK

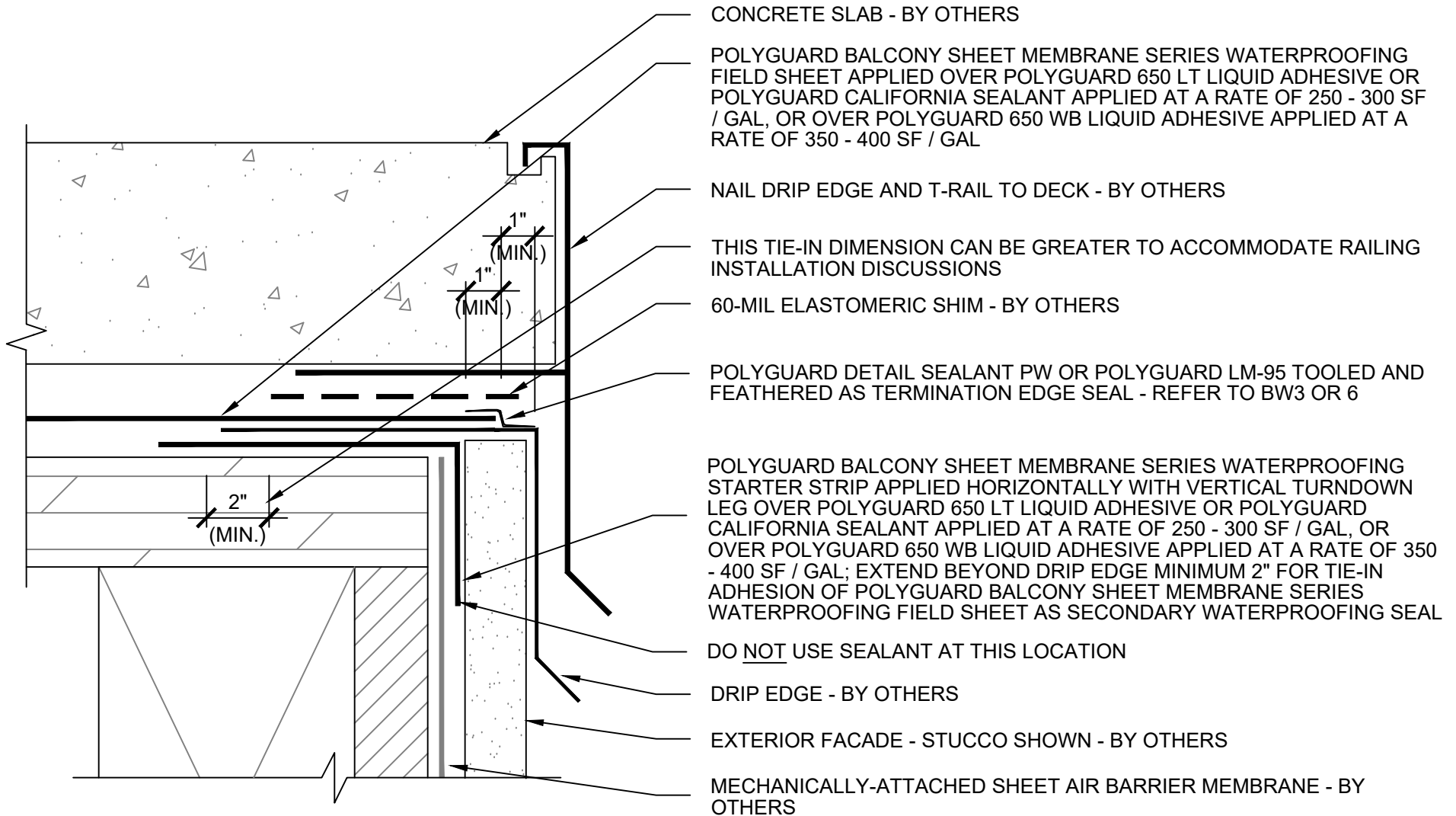
BW6

SECTION @ BALCONY MEMBRANE SERIES WATERPROOFING - OVERLAP / EDGE OVERVIEW (ZERO SLOPE)

GENERAL NOTE: IF ADHESIVE IS REQUIRED FOR SEAMS OR END LAPS, DO NOT USE POLYGUARD 650 WB LIQUID ADHESIVE.

MATERIAL SEPARATED FOR CLARITY
© POLYGUARD PRODUCTS, INC.

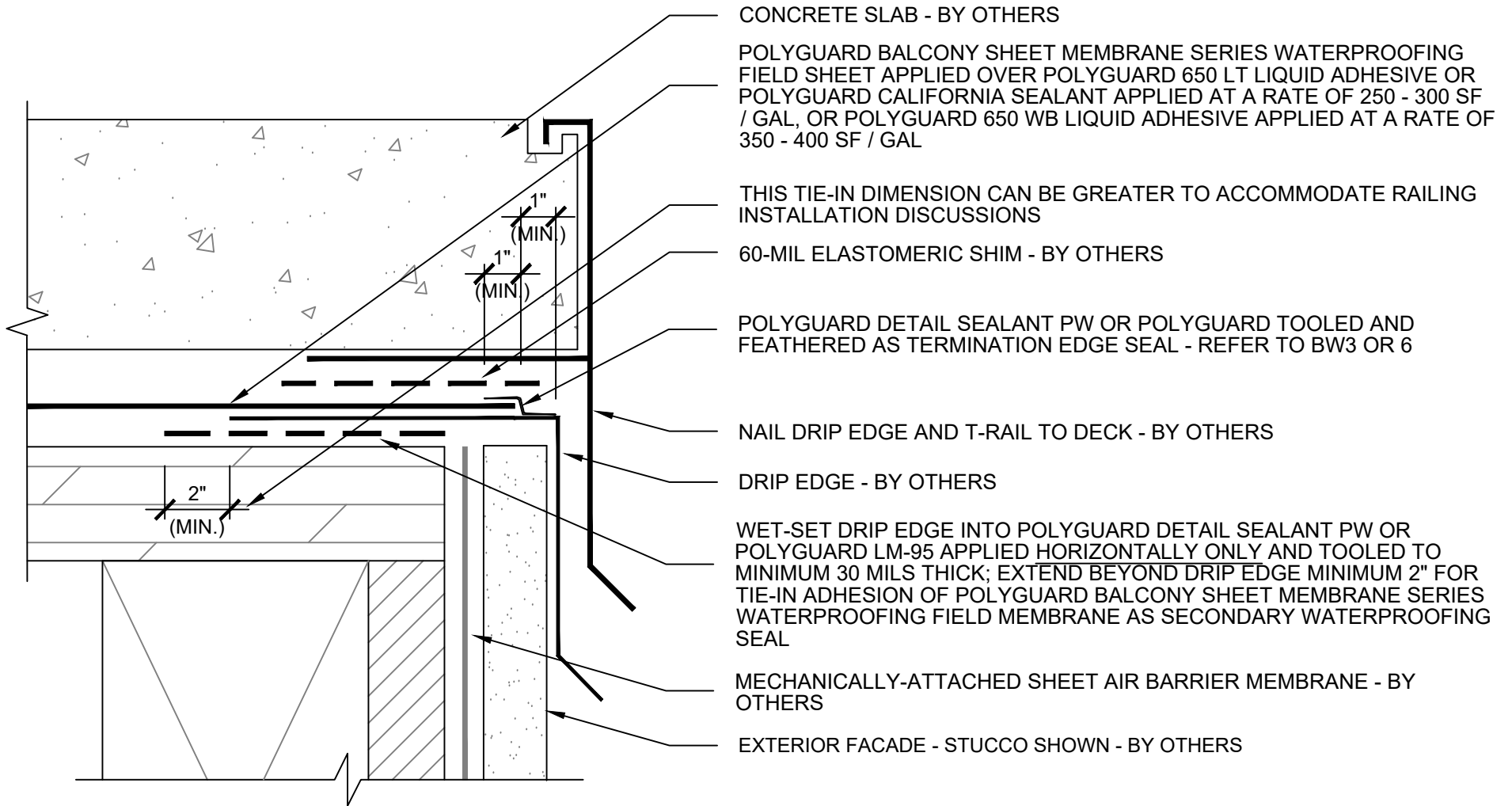
The information provided is based on data and knowledge considered to be true and accurate and is offered for the users' consideration, investigation and verification, but we do not warrant the results to be obtained. Please read all data sheets, statements, recommendations or suggestions in conjunction with our conditions of sale, which apply to all goods supplied by us.	NOT TO SCALE
	EFFECTIVE DATE: 07/15/2024
	SUPERCEDES: 06/07/2023



BW7a SECTION @ EDGE DETAIL - (OPTION 1)

SPECIAL NOTE: IF ADHESIVE IS REQUIRED FOR SEAMS OR ENDLAPS DO NOT USE POLYGUARD 650 WB LIQUID ADHESIVE

<small>The information provided is based on data and knowledge considered to be true and accurate and is offered for the users' consideration, investigation and verification, but we do not warrant the results to be obtained. Please read all data sheets, statements, recommendations or suggestions in conjunction with our conditions of sale, which apply to all goods supplied by us.</small>	NOT TO SCALE
	EFFECTIVE DATE: 11/11/2024
	SUPERCEDES: 07/15/2024



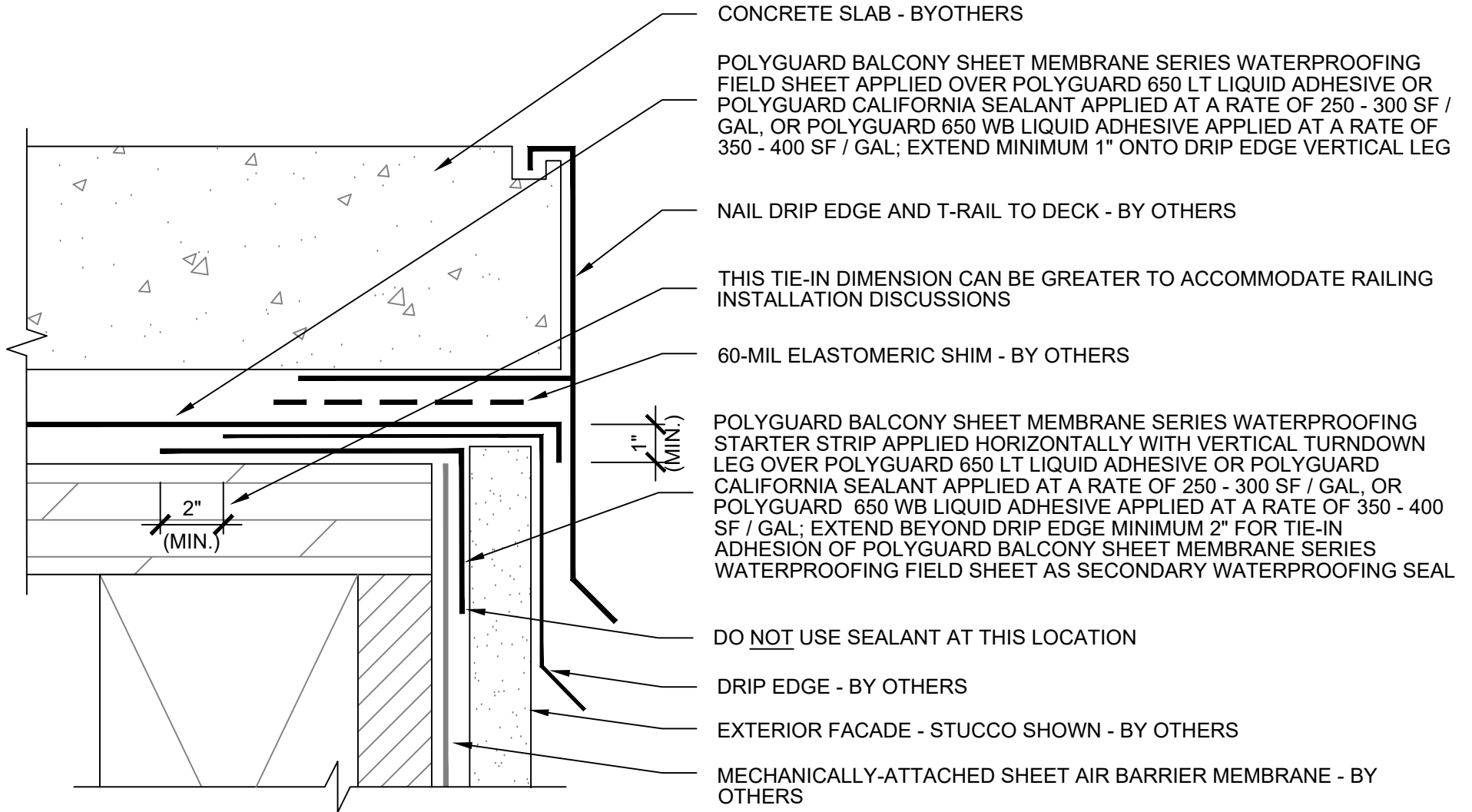
BW7b SECTION @ EDGE DETAIL - (OPTION 2)

Polyguard Products, Inc.
P.O. Box 755 - Ennis, TX 75120
Phone: 214-515-5000
Web Site - www.polyguard.com

SPECIAL NOTE: IF ADHESIVE IS REQUIRED FOR SEAMS OR ENDLAPS DO NOT USE POLYGUARD 650 WB LIQUID ADHESIVE

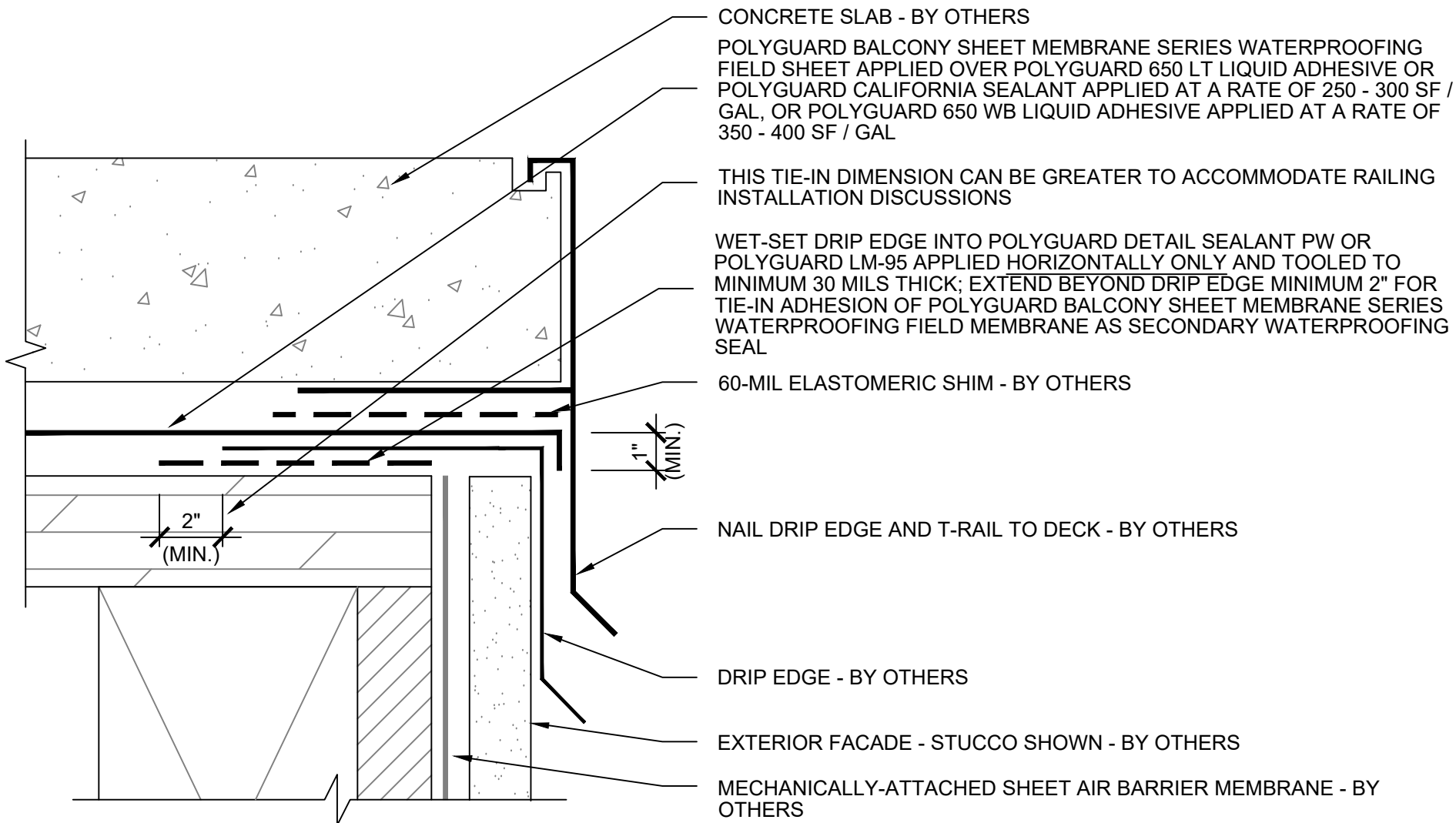
©POLYGUARD PRODUCTS, INC.
MATERIAL SEPARATED FOR CLARITY

<small>The information provided is based on data and knowledge considered to be true and accurate and is offered for the users' consideration, investigation and verification, but we do not warrant the results to be obtained. Please read all data sheets, statements, recommendations or suggestions in conjunction with our conditions of sale, which apply to all goods supplied by us.</small>	NOT TO SCALE
	EFFECTIVE DATE: 11/11/2024
	SUPERCEDES: 07/15/2024



BW7c SECTION @ EDGE DETAIL - (OPTION 3)

<small>The information provided is based on data and knowledge considered to be true and accurate and is offered for the users' consideration, investigation and verification, but we do not warrant the results to be obtained. Please read all data sheets, statements, recommendations or suggestions in conjunction with our conditions of sale, which apply to all goods supplied by us.</small>	NOT TO SCALE
	EFFECTIVE DATE: 11/11/2024
	SUPERCEDES: 07/15/2024



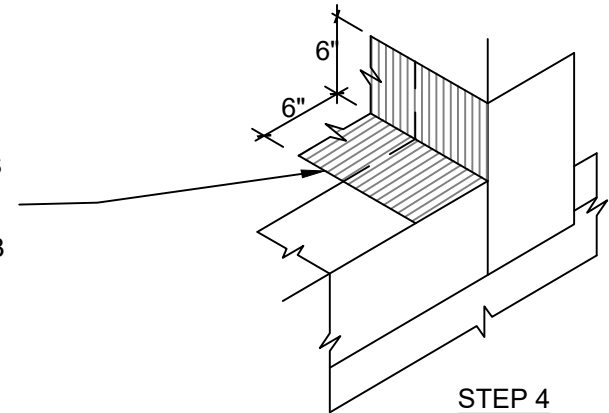
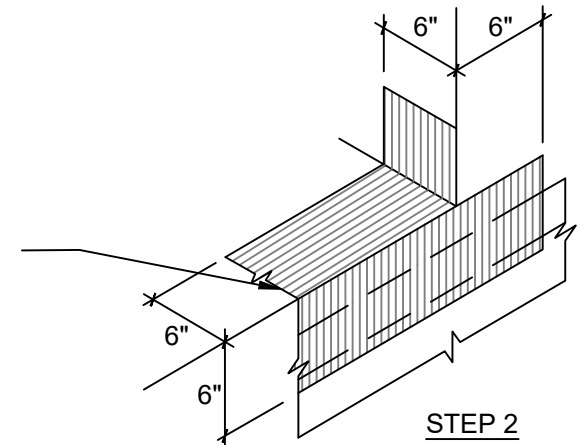
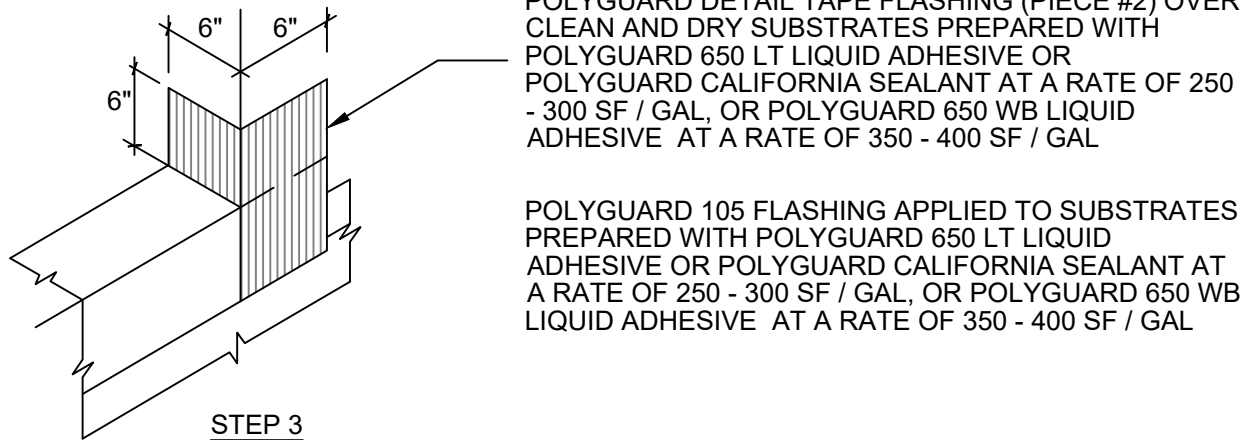
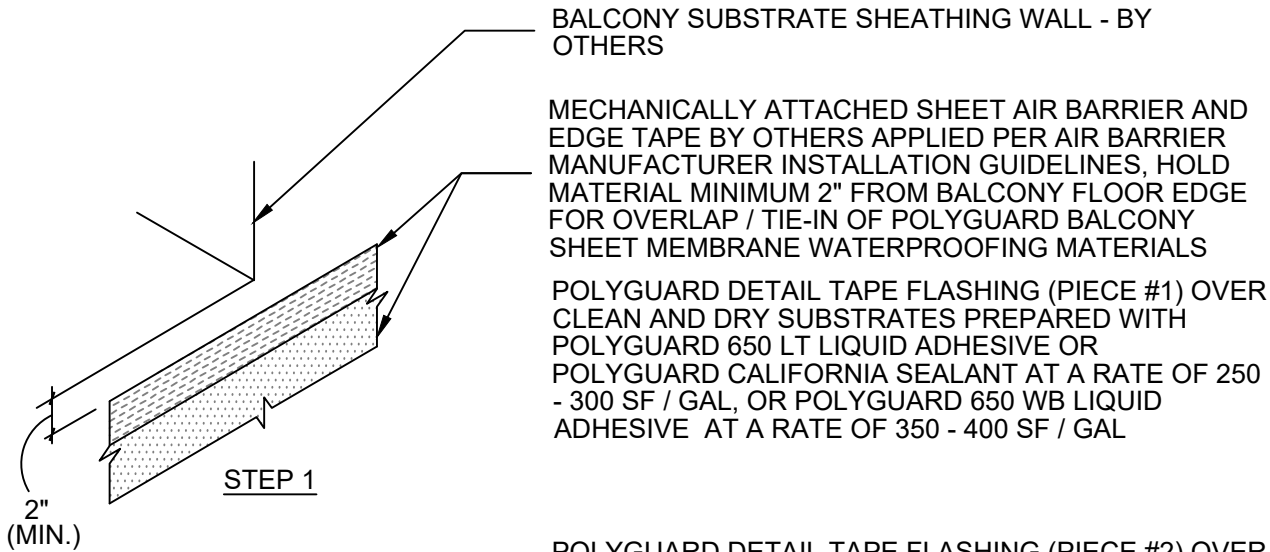
BW7d SECTION @ EDGE DETAIL - (OPTION 4)

Polyguard Products, Inc.
P.O. Box 755 - Ennis, TX 75120
Phone: 214-515-5000
Web Site - www.polyguard.com

SPECIAL NOTE: IF ADHESIVE IS REQUIRED FOR SEAMS OR ENDLAPS DO NOT USE POLYGUARD 650 WB LIQUID ADHESIVE

©POLYGUARD PRODUCTS, INC.
MATERIAL SEPARATED FOR CLARITY

The information provided is based on data and knowledge considered to be true and accurate and is offered for the users' consideration, investigation and verification, but we do not warrant the results to be obtained. Please read all data sheets, statements, recommendations or suggestions in conjunction with our conditions of sale, which apply to all goods supplied by us.	NOT TO SCALE
	EFFECTIVE DATE: 11/11/2024
	SUPERCEDES: 07/15/2024



BW8

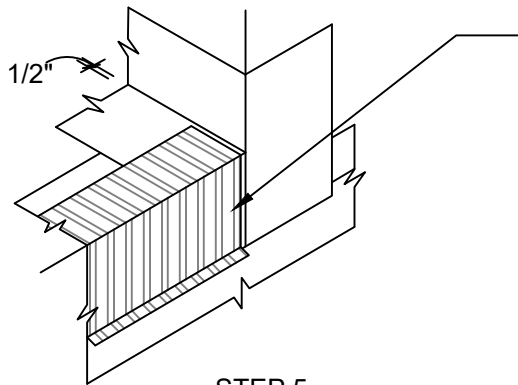
ISOMETRIC @ FIELD-FORMED CORNER FLASHING POLYGUARD STARTER STRIP STEPS 1 - 4

Polyguard Products, Inc.
P.O. Box 755 - Ennis, TX 75120
Phone: 214-515-5000
Web Site - www.polyguard.com

SPECIAL NOTE: IF ADHESIVE IS REQUIRED FOR SEAMS OR ENDLAPS DO NOT USE POLYGUARD 650 WB LIQUID ADHESIVE

©POLYGUARD PRODUCTS, INC.
MATERIAL SEPARATED FOR CLARITY

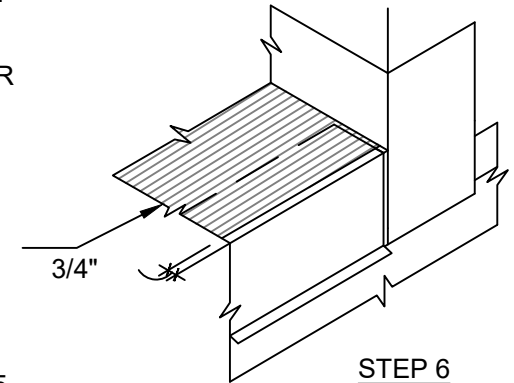
<small>The information provided is based on data and knowledge considered to be true and accurate and is offered for the users' consideration, investigation and verification, but we do not warrant the results to be obtained. Please read all data sheets, statements, recommendations or suggestions in conjunction with our conditions of sale, which apply to all goods supplied by us.</small>	NOT TO SCALE
	EFFECTIVE DATE: 07/15/2024
	SUPERCEDES: 10/01/2022



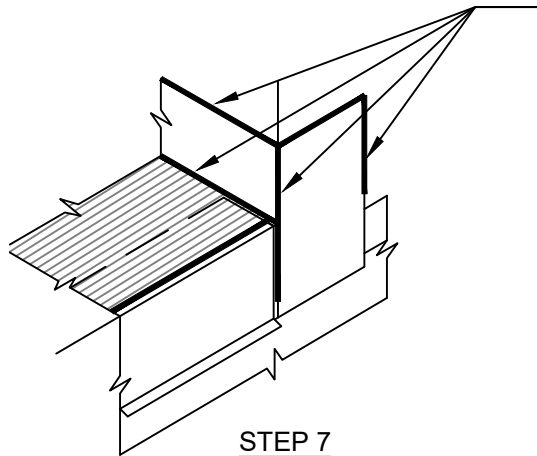
STEP 5

INSTALL DRIP EDGE ALONG BALCONY EDGE OVER MECHANICALLY ATTACHED SHEET AIR BARRIER FLASHING BY OTHERS ON HORIZONTAL LEG, HOLD DRIP EDGE 1/2" FROM CORNER AND ALLOW MINIMUM 2" EXPOSURE OF EXISTING MECHANICALLY ATTACHED SHEET FLASHING BY OTHERS FOR BALCONY FIELD MEMBRANE OVERLAP / TIE-IN IN NEXT STEP

POLYGUARD BALCONY SHEET MEMBRANE SERIES WATERPROOFING APPLIED TO SUBSTRATES PREPARED WITH POLYGUARD 650 LT LIQUID ADHESIVE OR POLYGUARD CALIFORNIA SEALANT AT A RATE OF 250 - 300 SF / GAL, OR POLYGUARD 650 WB LIQUID ADHESIVE AT A RATE OF 350 - 400 SF / GAL, HOLD MEMBRANE BACK 3/4" FROM BALCONY EDGE



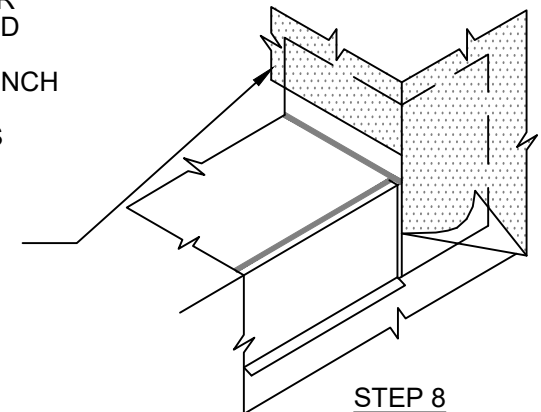
STEP 6



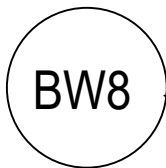
STEP 7

SEAL EXPOSED MEMBRANE EDGES OVER (1) POLYGUARD 105 FLASHING, (2) POLYGUARD DETAIL TAPE FLASHING, AND (3) POLYGUARD BALCONY SHEET MEMBRANE SERIES WATERPROOFING, WITH POLYGUARD DETAIL SEALANT PW OR POLYGUARD LM-95 TOoled TO MINIMUM 90 MILS THICK. HOLD BACK FROM ANY CONTACT WITH EXISTING MECHANICALLY ATTACHED SHEET AIR BARRIER BY OTHERS BY MINIMUM 1/2 INCH GAP, AND ALLOW POLYGUARD DETAIL SEALANT PW OR POLYGUARD LM-95 TO SET UP / CURE FOR MINIMUM 4 HOURS PRIOR TO STARTING NEXT STEP.

MECHANICALLY ATTACHED SHEET AIR BARRIER BY OTHERS OVER POLYGUARD BALCONY CORNER BOOT PER POLYGUARD SHEET AIR BARRIER MANUFACTURER INSTALLATION GUIDELINES



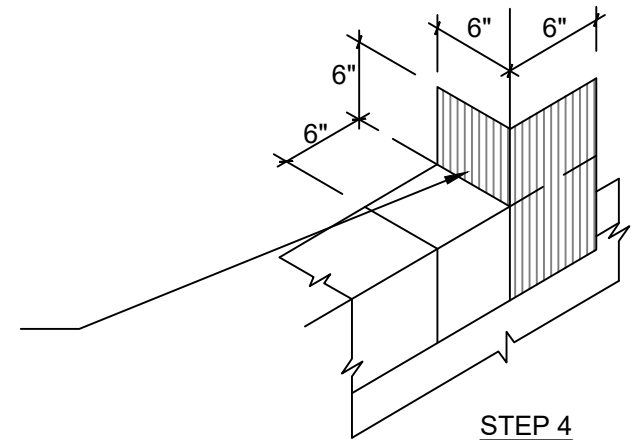
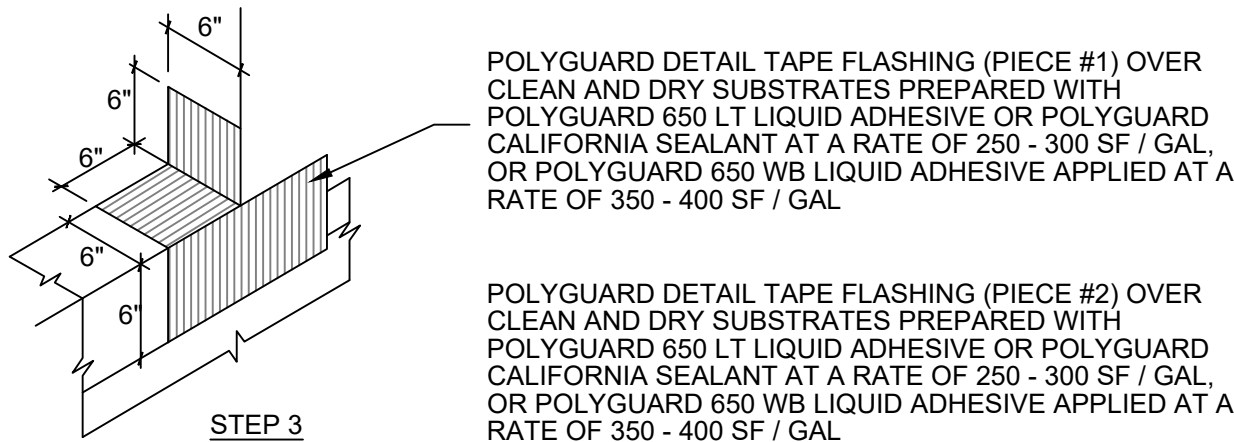
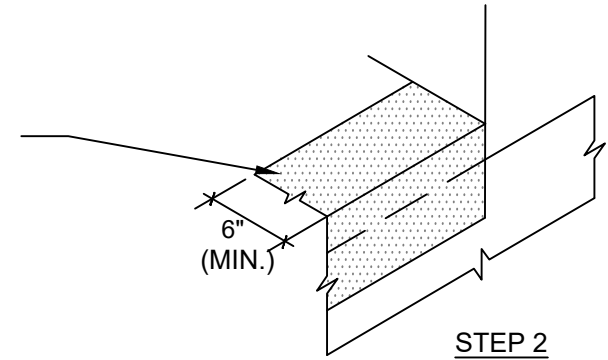
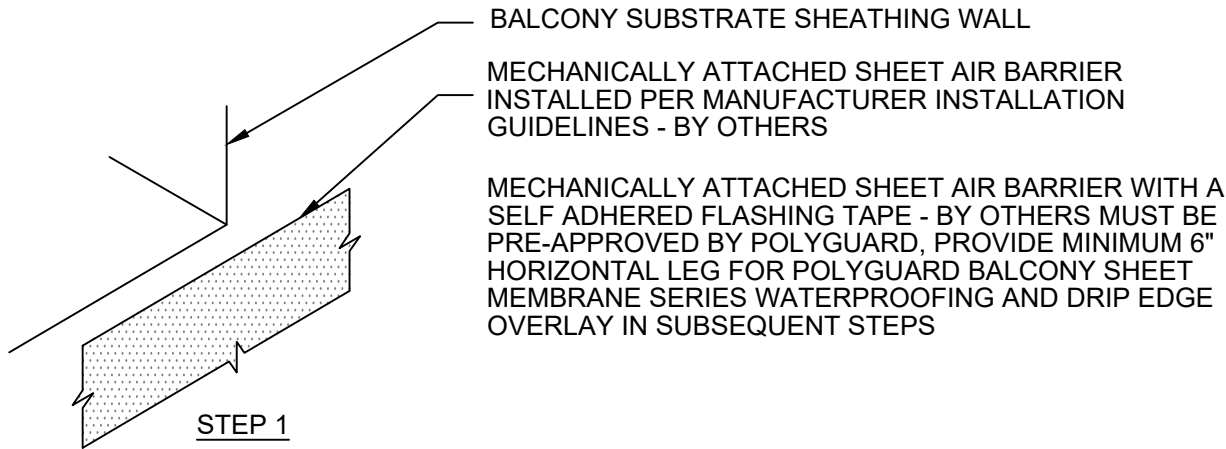
STEP 8



ISOMETRIC @ FIELD-FORMED CORNER FLASHING POLYGUARD STARTER STRIP STEPS 5 - 8

SPECIAL NOTE: IF ADHESIVE IS REQUIRED FOR SEAMS OR ENDLAPS DO NOT USE POLYGUARD 650 WB LIQUID ADHESIVE

<small>The information provided is based on data and knowledge considered to be true and accurate and is offered for the users' consideration, investigation and verification, but we do not warrant the results to be obtained. Please read all data sheets, statements, recommendations or suggestions in conjunction with our conditions of sale, which apply to all goods supplied by us.</small>	NOT TO SCALE
	EFFECTIVE DATE: 07/15/2024
	SUPERCEDES: 10/01/2022



BW9

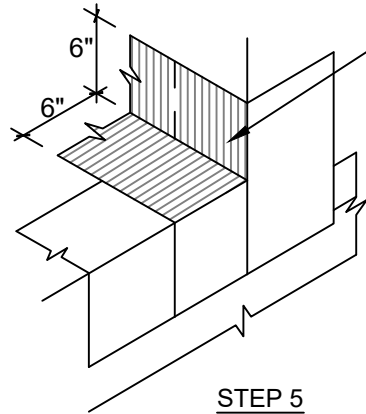
ISOMETRIC @ FIELD-FORMED CORNER FLASHING AIR BARRIER STARTER STRIP STEPS 1 - 4

Polyguard Products, Inc.
P.O. Box 755 - Ennis, TX 75120
Phone: 214-515-5000
Web Site - www.polyguard.com

**SPECIAL NOTE: IF ADHESIVE IS REQUIRED FOR
SEAMS OR ENDLAPS DO NOT USE POLYGUARD
650 WB LIQUID ADHESIVE**

©POLYGUARD PRODUCTS, INC.
MATERIAL SEPARATED FOR CLARITY

<small>The information provided is based on data and knowledge considered to be true and accurate and is offered for the users' consideration, investigation and verification, but we do not warrant the results to be obtained. Please read all data sheets, statements, recommendations or suggestions in conjunction with our conditions of sale, which apply to all goods supplied by us.</small>	NOT TO SCALE
	EFFECTIVE DATE: 07/15/2024
	SUPERCEDES: 10/01/2022

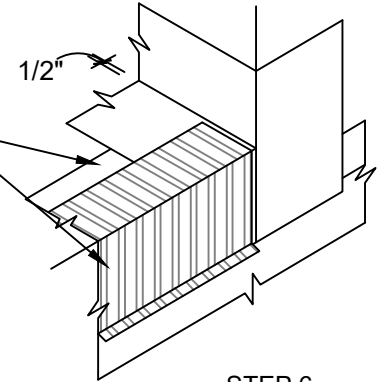


STEP 5

POLYGUARD 105 FLASHING APPLIED TO SUBSTRATES PREPARED WITH POLYGUARD 650 LT LIQUID ADHESIVE OR POLYGUARD CALIFORNIA SEALANT AT A RATE OF 250 - 300 SF / GAL, OR POLYGUARD 650 WB LIQUID ADHESIVE AT A RATE OF 350 - 400 SF / GAL

INSTALL DRIP EDGE ALONG BALCONY EDGE OVER MECHANICALLY ATTACHED SHEET AIR BARRIER FLASHING - BY OTHERS - HORIZONTAL LEG, HOLD DRIP EDGE 1/2" FROM CORNER AND ALLOW MINIMUM 2" EXPOSURE OF EXISTING MECHANICALLY ATTACHED SHEET FLASHING FOR POLYGUARD BALCONY SHEET MEMBRANE SERIES WATERPROOFING FIELD MEMBRANE OVERLAP / TIE-IN IN SUBSEQUENT STEP

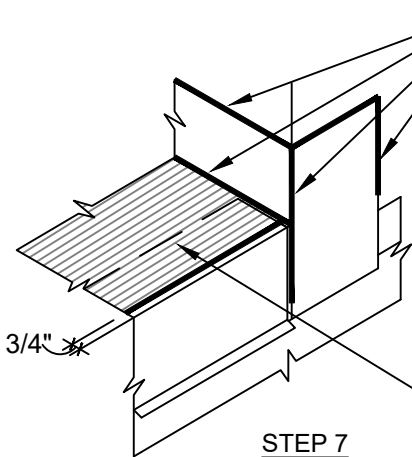
SEAL EXPOSED MEMBRANE EDGES OVER (1) POLYGUARD 105-12 FLASHING, (2) POLYGUARD DETAIL TAPE FLASHING, AND (3) POLYGUARD BALCONY SHEET MEMBRANE SERIES WATERPROOFING, WITH POLYGUARD DETAIL SEALANT PW OR POLYGUARD LM-95 APPLIED AND TOOLED TO MINIMUM 90 MILS THICK. HOLD BACK POLYGUARD DETAIL SEALANT PW OR POLYGUARD LM-95 FROM ANY CONTACT WITH EXISTING MECHANICALLY ATTACHED SHEET AIR BARRIER - BY OTHERS, BY MINIMUM 1/2 INCH GAP, AND ALLOW POLYGUARD DETAIL SEALANT PW OR POLYGUARD LM-95 TO SET UP / CURE FOR MINIMUM 4 HOURS PRIOR TO STARTING NEXT STEP.



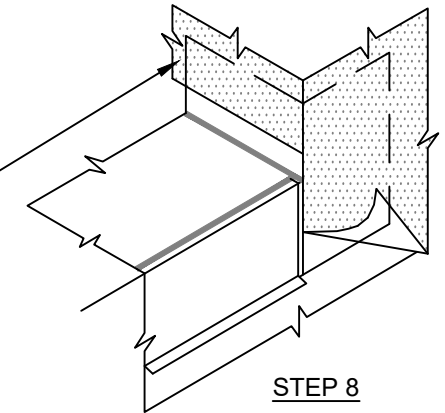
STEP 6

MECHANICALLY ATTACHED SHEET AIR BARRIER - BY OTHERS OVER POLYGUARD CORNER BOOT PER SHEET AIR BARRIER MANUFACTURER INSTALLATION GUIDELINES

POLYGUARD BALCONY SHEET MEMBRANE SERIES WATERPROOFING APPLIED TO SUBSTRATES PREPARED WITH POLYGUARD 650 LT LIQUID ADHESIVE OR POLYGUARD CALIFORNIA SEALANT APPLIED AT A RATE OF 250 - 300 SF / GAL, OR POLYGUARD 650 WB LIQUID ADHESIVE APPLIED AT A RATE OF 350 - 400 SF / GAL, HOLD MEMBRANE BACK 3/4" FROM BALCONY EDGE



STEP 7

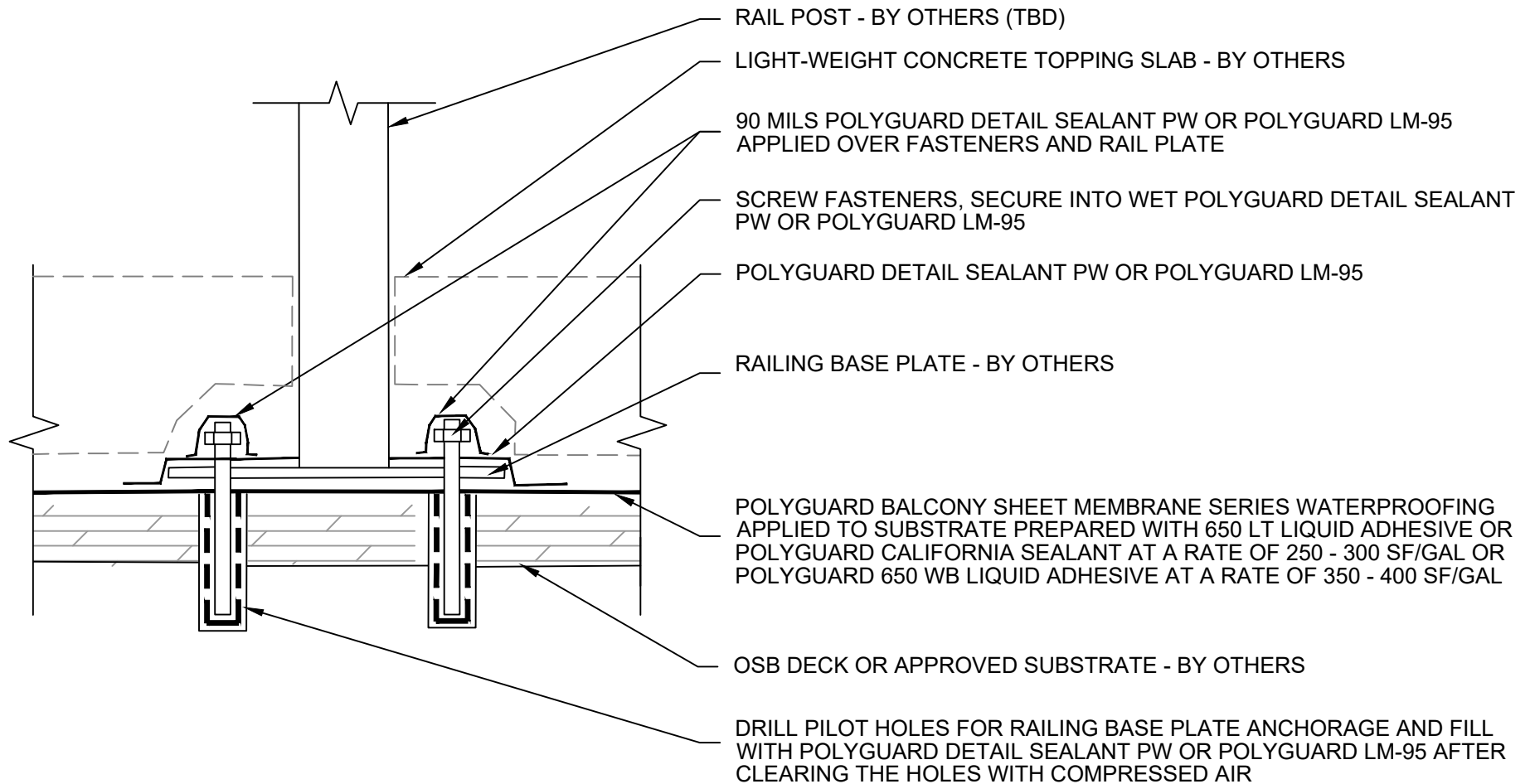


STEP 8

BW9

ISOMETRIC @ FIELD-FORMED CORNER FLASHING AIR BARRIER STARTER STRIP STEPS 5 - 8

The information provided is based on data and knowledge considered to be true and accurate and is offered for the users' consideration, investigation and verification, but we do not warrant the results to be obtained. Please read all data sheets, statements, recommendations or suggestions in conjunction with our conditions of sale, which apply to all goods supplied by us.	NOT TO SCALE
	EFFECTIVE DATE: 07/15/2024
	SUPERCEDES: 10/01/2022



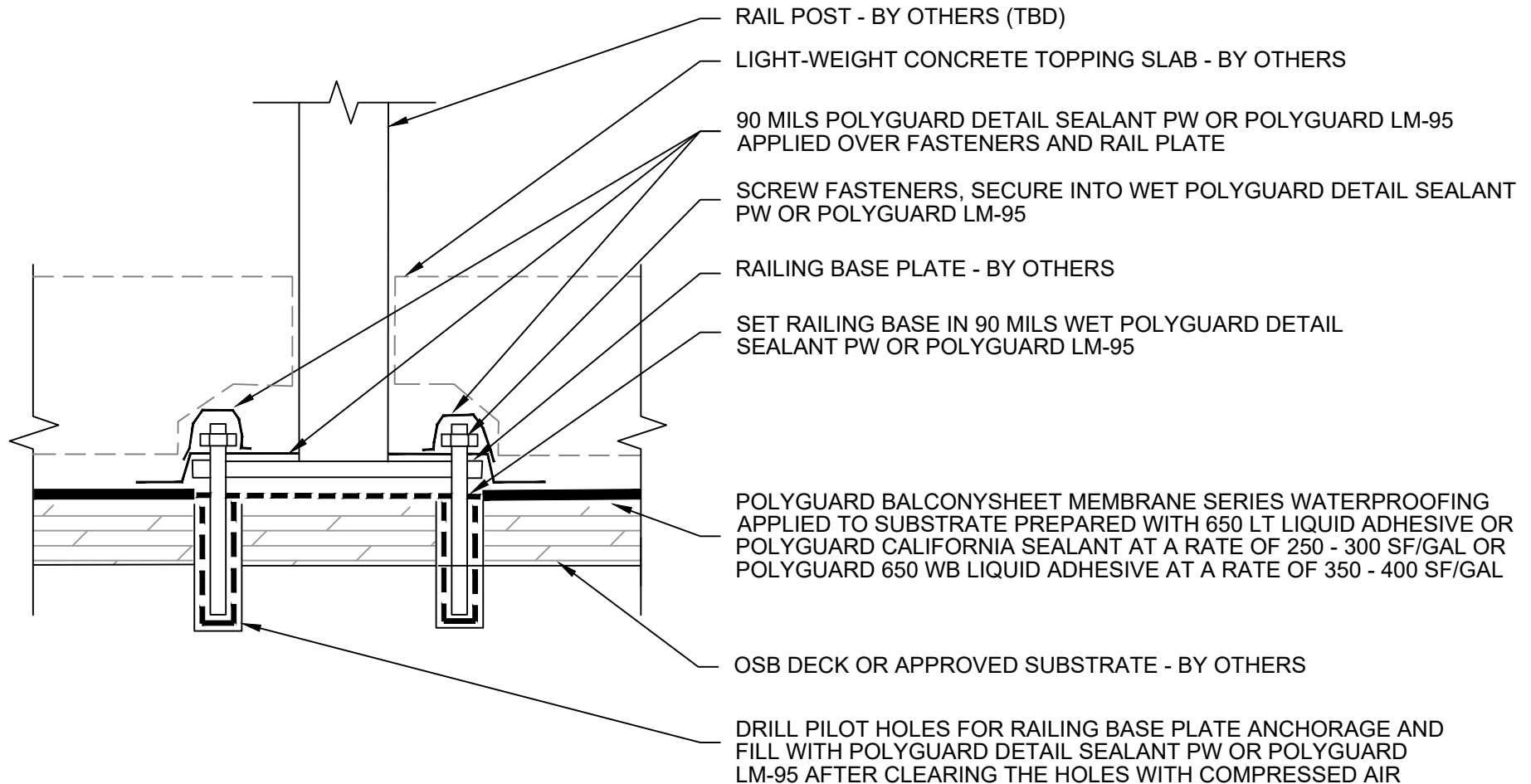
BW10 SECTION @ GUARDRAIL DETAIL (OPTION 1)

Polyguard Products, Inc.
P.O. Box 755 - Ennis, TX 75120
Phone: 214-515-5000
Web Site - www.polyguard.com

SPECIAL NOTE: IF ADHESIVE IS REQUIRED FOR SEAMS OR ENDLAPS DO NOT USE POLYGUARD 650 WB LIQUID ADHESIVE

©POLYGUARD PRODUCTS, INC.
MATERIAL SEPARATED FOR CLARITY

<small>The information provided is based on data and knowledge considered to be true and accurate and is offered for the users' consideration, investigation and verification, but we do not warrant the results to be obtained. Please read all data sheets, statements, recommendations or suggestions in conjunction with our conditions of sale, which apply to all goods supplied by us.</small>	NOT TO SCALE
	EFFECTIVE DATE: 07/15/2024
	SUPERCEDES: 06/06/2023



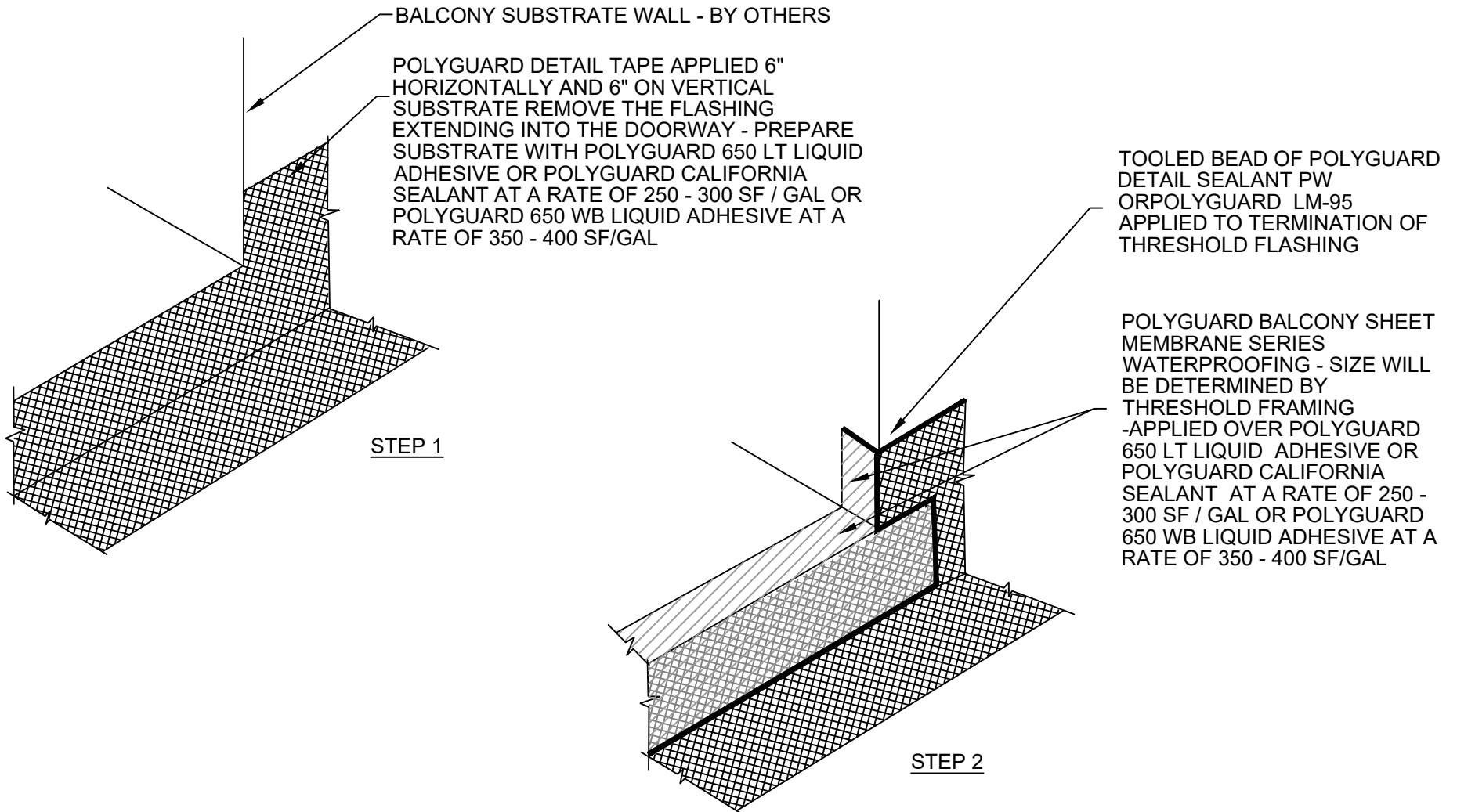
BW11 SECTION @ GUARDRAIL DETAIL (OPTION 2)

Polyguard Products, Inc.
P.O. Box 755 - Ennis, TX 75120
Phone: 214-515-5000
Web Site - www.polyguard.com

SPECIAL NOTE: IF ADHESIVE IS REQUIRED FOR SEAMS OR ENDLAPS DO NOT USE POLYGUARD 650 WB LIQUID ADHESIVE

©POLYGUARD PRODUCTS, INC.
MATERIAL SEPARATED FOR CLARITY

<small>The information provided is based on data and knowledge considered to be true and accurate and is offered for the users' consideration, investigation and verification, but we do not warrant the results to be obtained. Please read all data sheets, statements, recommendations or suggestions in conjunction with our conditions of sale, which apply to all goods supplied by us.</small>	NOT TO SCALE
	EFFECTIVE DATE: 07/15/2024
	SUPERCEDES: 06/06/2023



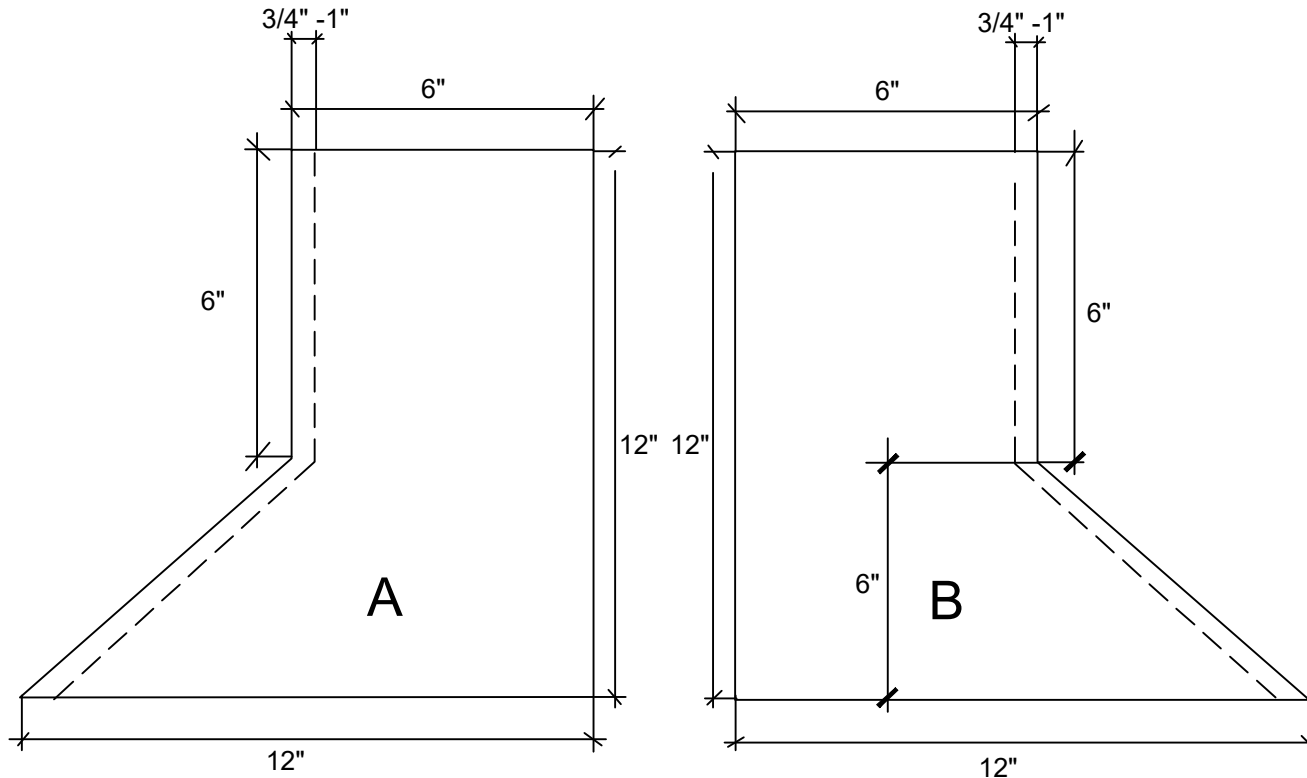
BW12 ISOMETRIC @ THRESHOLD WATERPROOFING

Polyguard Products, Inc.
P.O. Box 755 - Ennis, TX 75120
Phone: 214-515-5000
Web Site - www.polyguard.com

SPECIAL NOTE: IF ADHESIVE IS REQUIRED FOR SEAMS OR ENDLAPS DO NOT USE POLYGUARD 650 WB LIQUID ADHESIVE

©POLYGUARD PRODUCTS, INC.
MATERIAL SEPARATED FOR CLARITY

<small>The information provided is based on data and knowledge considered to be true and accurate and is offered for the users' consideration, investigation and verification, but we do not warrant the results to be obtained. Please read all data sheets, statements, recommendations or suggestions in conjunction with our conditions of sale, which apply to all goods supplied by us.</small>	NOT TO SCALE
	EFFECTIVE DATE: 07/15/2024
	SUPERCEDES: 10/01/2022



1. Cut 2 - 12" x 12" pieces of Polyguard 650 Membrane or Polyguard Balconyguard Membrane
 - A. A & B piece cut to dimensions above and mirror image
2. Score 3/4" - 1" release film at angled edge - remove the film
3. Adhere piece A and B at exposed 3/4" - 1" compound - roll tight

BW13

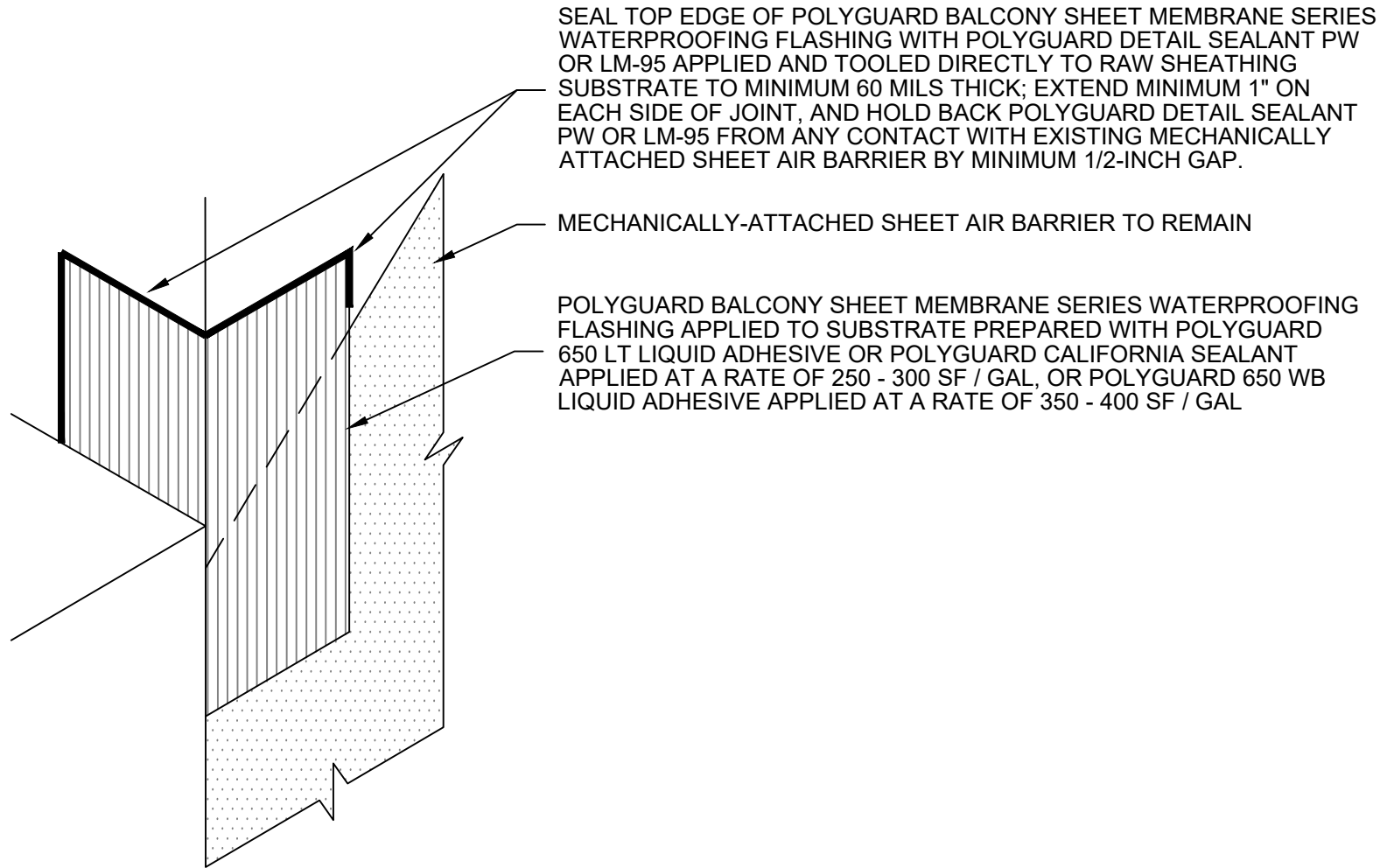
ISOMETRIC @ FIELD MADE OUTSIDE CORNER BOOT DETAIL

Polyguard Products, Inc.
P.O. Box 755 - Ennis, TX 75120
Phone: 214-515-5000
Web Site - www.polyguard.com

SPECIAL NOTE: IF ADHESIVE IS REQUIRED FOR SEAMS OR ENDLAPS DO NOT USE POLYGUARD 650 WB LIQUID ADHESIVE

©POLYGUARD PRODUCTS, INC.
MATERIAL SEPARATED FOR CLARITY

<small>The information provided is based on data and knowledge considered to be true and accurate and is offered for the users' consideration, investigation and verification, but we do not warrant the results to be obtained. Please read all data sheets, statements, recommendations or suggestions in conjunction with our conditions of sale, which apply to all goods supplied by us.</small>	NOT TO SCALE
	EFFECTIVE DATE: 07/15/2024
	SUPERCEDES: 10/01/2022



SEAL TOP EDGE OF POLYGUARD BALCONY SHEET MEMBRANE SERIES WATERPROOFING FLASHING WITH POLYGUARD DETAIL SEALANT PW OR LM-95 APPLIED AND TOOLED DIRECTLY TO RAW SHEATHING SUBSTRATE TO MINIMUM 60 MILS THICK; EXTEND MINIMUM 1" ON EACH SIDE OF JOINT, AND HOLD BACK POLYGUARD DETAIL SEALANT PW OR LM-95 FROM ANY CONTACT WITH EXISTING MECHANICALLY ATTACHED SHEET AIR BARRIER BY MINIMUM 1/2-INCH GAP.

MECHANICALLY-ATTACHED SHEET AIR BARRIER TO REMAIN

POLYGUARD BALCONY SHEET MEMBRANE SERIES WATERPROOFING FLASHING APPLIED TO SUBSTRATE PREPARED WITH POLYGUARD 650 LT LIQUID ADHESIVE OR POLYGUARD CALIFORNIA SEALANT APPLIED AT A RATE OF 250 - 300 SF / GAL, OR POLYGUARD 650 WB LIQUID ADHESIVE APPLIED AT A RATE OF 350 - 400 SF / GAL

**ISOMETRIC @ BALCONY SHEET MEMBRANE SERIES WATERPROOFING -
OUTSIDE CORNER FLASHING OVER MECHANICALLY-ATTACHED AIR BARRIER**

BW14

Polyguard Products, Inc.
P.O. Box 755 - Ennis, TX 75120
Phone: 214-515-5000
Web Site - www.polyguard.com

SPECIAL NOTE: IF ADHESIVE IS REQUIRED FOR SEAMS OR ENDLAPS DO NOT USE POLYGUARD 650 WB LIQUID ADHESIVE

©POLYGUARD PRODUCTS, INC.
MATERIAL SEPARATED FOR CLARITY

<small>The information provided is based on data and knowledge considered to be true and accurate and is offered for the users' consideration, investigation and verification, but we do not warrant the results to be obtained. Please read all data sheets, statements, recommendations or suggestions in conjunction with our conditions of sale, which apply to all goods supplied by us.</small>	NOT TO SCALE
	EFFECTIVE DATE: 07/15/2024
	SUPERCEDES: 02/09/2023