

BS1

OVERVIEW - EARTH RETENTION SYSTEM

Polyguard Products, Inc.
P.O. Box 755 - Ennis, TX 75120
Phone: 214-515-5000
Web Site - www.polyguard.com

©POLYGUARD PRODUCTS, INC.
MATERIAL SEPARATED FOR CLARITY

<small>The information provided is based on data and knowledge considered to be true and accurate and is offered for the users' consideration, investigation and verification, but we do not warrant the results to be obtained. Please read all data sheets, statements, recommendations or suggestions in conjunction with our conditions of sale, which apply to all goods supplied by us.</small>	NOT TO SCALE
	EFFECTIVE DATE: 10/01/2022
	SUPERCEDES: 01/18/2022

POLYGUARD POLYFLOW 15 / 15P SHEET MOLDED DRAIN - FABRIC FACING RETENTION SYSTEM

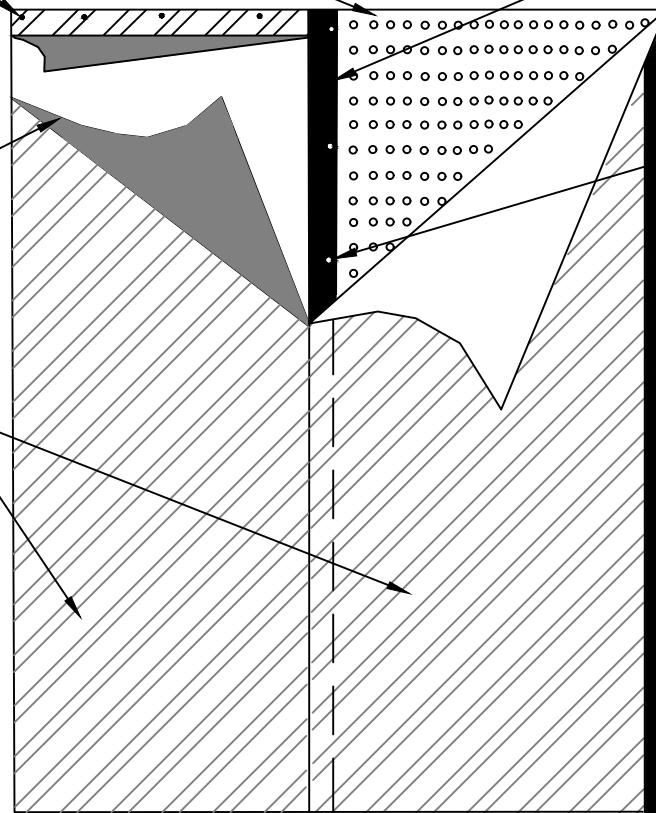
REFER TO POLYGUARD END LAP DETAIL

PROTECTIVE PACKAGING FILM REMOVED DURING INSTALLATION

POLYGUARD BLINDSIDE MEMBRANE FABRIC TOWARD CONCRETE POUR OR SHOTCRETE WHEN NOT IN THE WATER TABLE - CONSULT POLYGUARD IF IN THE WATER TABLE

4" FACTORY SELVAGE EDGE WITH PROTECTIVE RELEASE FILM COVERING

FASTENERS 18" - 24" O.C. INSTALLED IN OUTSIDE 1" OF SELVAGE EDGE - BY OTHERS



BS2

OVERVIEW - 4" SELVAGE LAP SEAM & FASTENERS

<small>The information provided is based on data and knowledge considered to be true and accurate and is offered for the users' consideration, investigation and verification, but we do not warrant the results to be obtained. Please read all data sheets, statements, recommendations or suggestions in conjunction with our conditions of sale, which apply to all goods supplied by us.</small>	NOT TO SCALE
	EFFECTIVE DATE: 10/01/2022
	SUPERCEDES: 01/18/2022

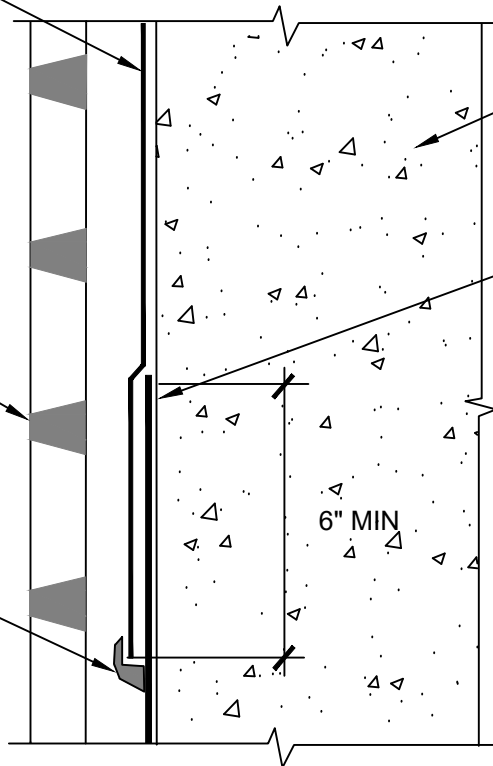
POLYGUARD 650 MEMBRANE OR
POLYGUARD PRM MEMBRANE
APPLIED TO CLEAN, DRY, FROST-
FREE SUBSTRATE PREPARED WITH
POLYGUARD 650 LT LIQUID
ADHESIVE OR POLYGUARD
CALIFORNIA SEALANT AT A RATE OF
250 - 300 SF/GAL AND OVER
EMBEDDED POLYGUARD BLINDSIDE
MEMBRANE A MINIMUM OF 6"

APPROVED SUBSTRATE - BY
OTHERS

EMBEDDED POLYGUARD BLINDSIDE
MEMBRANE

POLYGUARD POLYFLOW 15 / 15P
SHEET MOLDED DRAIN FABRIC
TOWARD SOIL

90 MILS MINIMUM POLYGUARD
DETAIL SEALANT PW APPLIED TO
TERMINAL EDGE OF POLYGUARD
650 MEMBRANE OR POLYGUARD
PRM MEMBRANE AND ONTO EACH
SIDE OF THE EDGE A MINIMUM OF
3/4"



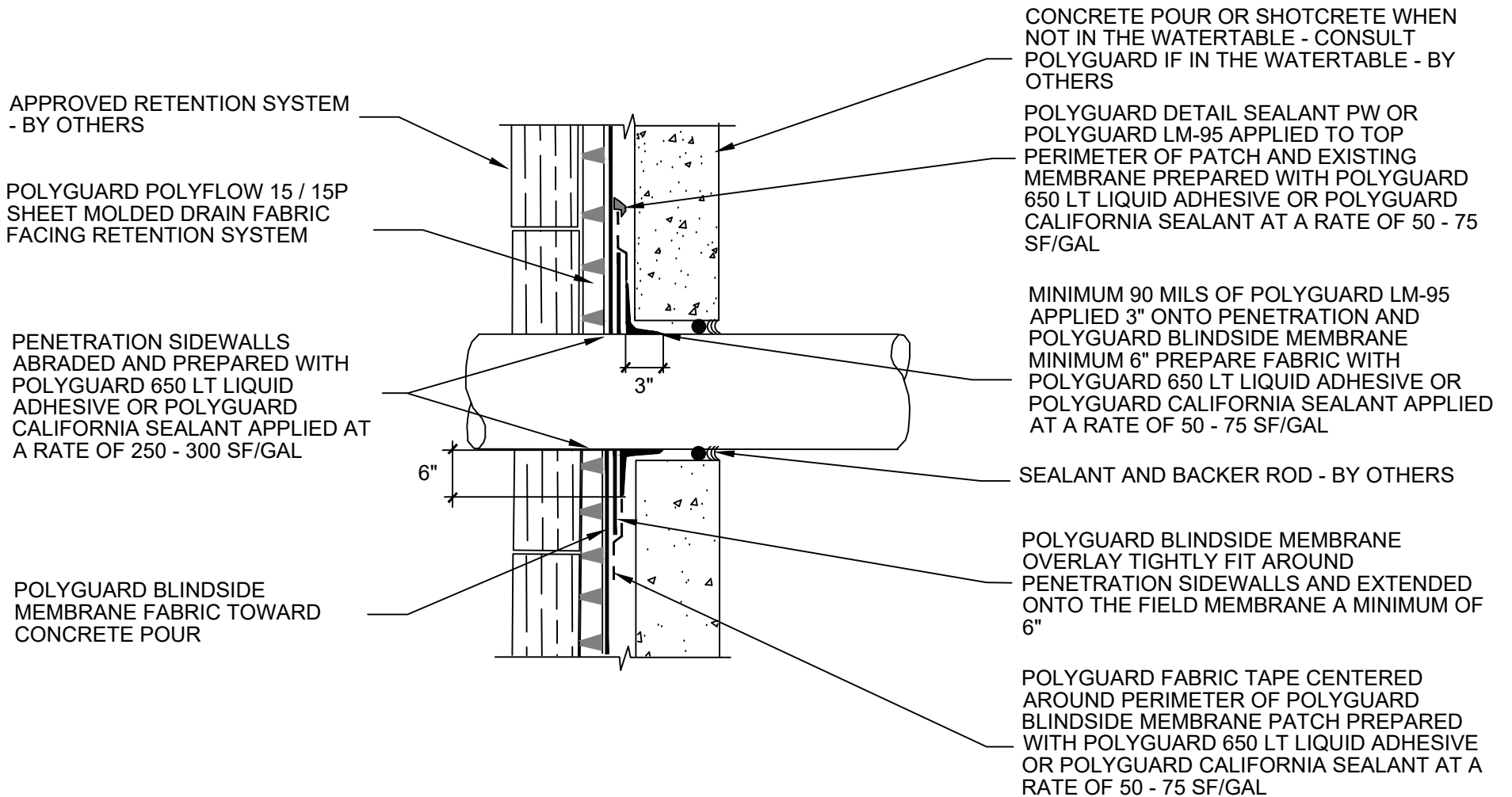
BS3

SECTION @ EMBEDDED BLINDSIDE TIE IN TO 650 / PRM MEMBRANE

Polyguard Products, Inc.
P.O. Box 755 - Ennis, TX 75120
Phone: 214-515-5000
Web Site - www.polyguard.com

©POLYGUARD PRODUCTS, INC.
MATERIAL SEPARATED FOR CLARITY

<p>The information provided is based on data and knowledge considered to be true and accurate and is offered for the users' consideration, investigation and verification, but we do not warrant the results to be obtained. Please read all data sheets, statements, recommendations or suggestions in conjunction with our conditions of sale, which apply to all goods supplied by us.</p>	NOT TO SCALE
	EFFECTIVE DATE: 10/01/2022
	SUPERCEDES: 01/18/2022



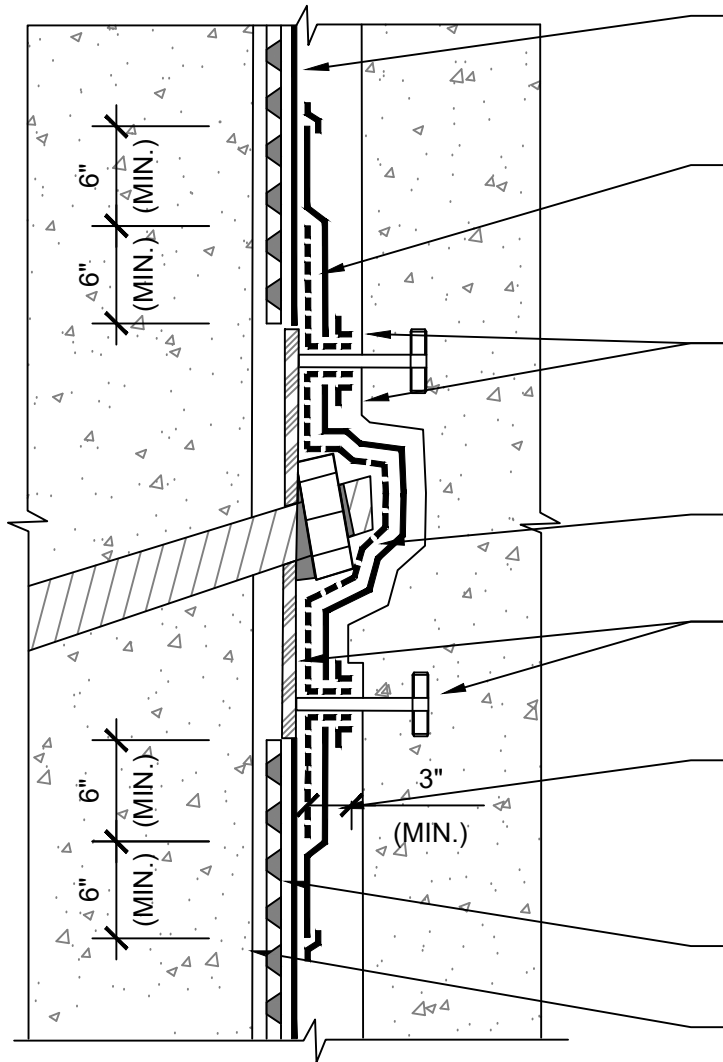
BS4

SECTION @ PENETRATION ROUGH FIT AROUND PENETRATION SIDEWALL

©POLYGUARD PRODUCTS, INC.
MATERIAL SEPARATED FOR CLARITY

Polyguard Products, Inc.
P.O. Box 755 - Ennis, TX 75120
Phone: 214-515-5000
Web Site - www.polyguard.com

<small>The information provided is based on data and knowledge considered to be true and accurate and is offered for the users' consideration, investigation and verification, but we do not warrant the results to be obtained. Please read all data sheets, statements, recommendations or suggestions in conjunction with our conditions of sale, which apply to all goods supplied by us.</small>	NOT TO SCALE
	EFFECTIVE DATE: 10/01/2022
	SUPERCEDES: 01/18/2022



POLYGUARD BLINDSIDE MEMBRANE FIELD SHEET WITH FABRIC TOWARD CONCRETE POUR OR SHOTCRETE WHEN NOT IN THE WATER TABLE - CONSULT POLYGUARD IF IN THE WATER TABLE, BUTT UP FLUSH TO STUD PLATE

POLYGUARD LM-95 APPLIED AND TOOLED FOR ADHESIVE BOND TO MINIMUM 90 MILS CONTINUOUS OVER SOIL NAIL, STUD PLATE, MINIMUM 3" ONTO EACH NELSON STUD, AND MINIMUM 6" ONTO POLYGUARD BLINDSIDE MEMBRANE FABRIC PREPARED WITH POLYGUARD 650 LT LIQUID ADHESIVE OR POLYGUARD CALIFORNIA SEALANT AT A RATE OF 50 - 75 SF / GAL

POLYGUARD LM-95 APPLIED AND TOOLED FOR ADHESIVE BOND TO MINIMUM 90 MILS CONTINUOUS OVER ALL POLYGUARD FABRIC TAPE EXPOSED EDGES AND POLYGUARD BLINDSIDE MEMBRANE FABRIC, PREPARE BOTH AREAS TO BE COVERED WITH POLYGUARD 650 LT LIQUID ADHESIVE OR POLYGUARD CALIFORNIA SEALANT AT A RATE OF 50 - 75 SF / GAL

EXISTING SOIL NAIL TO REMAIN, CLEAN AND DRY IN PREPARATION FOR POLYGUARD OVERLAY WATERPROOFING MATERIALS - BY OTHERS

EXISTING STUD PLATE AND NELSON STUDS TO REMAIN, CLEAN AND DRY IN PREPARATION FOR POLYGUARD OVERLAY WATERPROOFING MATERIALS - BY OTHERS

POLYGUARD FABRIC TAPE APPLIED OVER (SELECTED) POLYGUARD LM-95 LIQUID MEMBRANE OR POLYGUARD DETAIL SEALANT PW ON SOIL NAIL, STUD PLATE, AND POLYGUARD BLINDSIDE MEMBRANE; EXTEND A MINIMUM 6" ONTO POLYGUARD BLINDSIDE MEMBRANE FABRIC PREPARED WITH POLYGUARD 650 LT LIQUID ADHESIVE OR POLYGUARD CALIFORNIA SEALANT AT A RATE OF 50 - 75 SF / GAL

POLYGUARD POLYFLOW 15 MOLDED SHEET DRAIN WITH FABRIC FACING TOWARD APPROVED RETENTION SYSTEM

APPROVED RETENTION SYSTEM - BY OTHERS

BS5

SECTION @ SOIL NAIL STUD PLATE CONDITION

<small>The information provided is based on data and knowledge considered to be true and accurate and is offered for the users' consideration, investigation and verification, but we do not warrant the results to be obtained. Please read all data sheets, statements, recommendations or suggestions in conjunction with our conditions of sale, which apply to all goods supplied by us.</small>	NOT TO SCALE
	EFFECTIVE DATE: 10/01/2022
	SUPERCEDES: 01/18/2022

POLYGUARD POLYFLOW 15 / 15P MOLDED SHEET DRAIN FABRIC FACING RETENTION SYSTEM

REFER TO POLYGUARD END LAP DETAIL

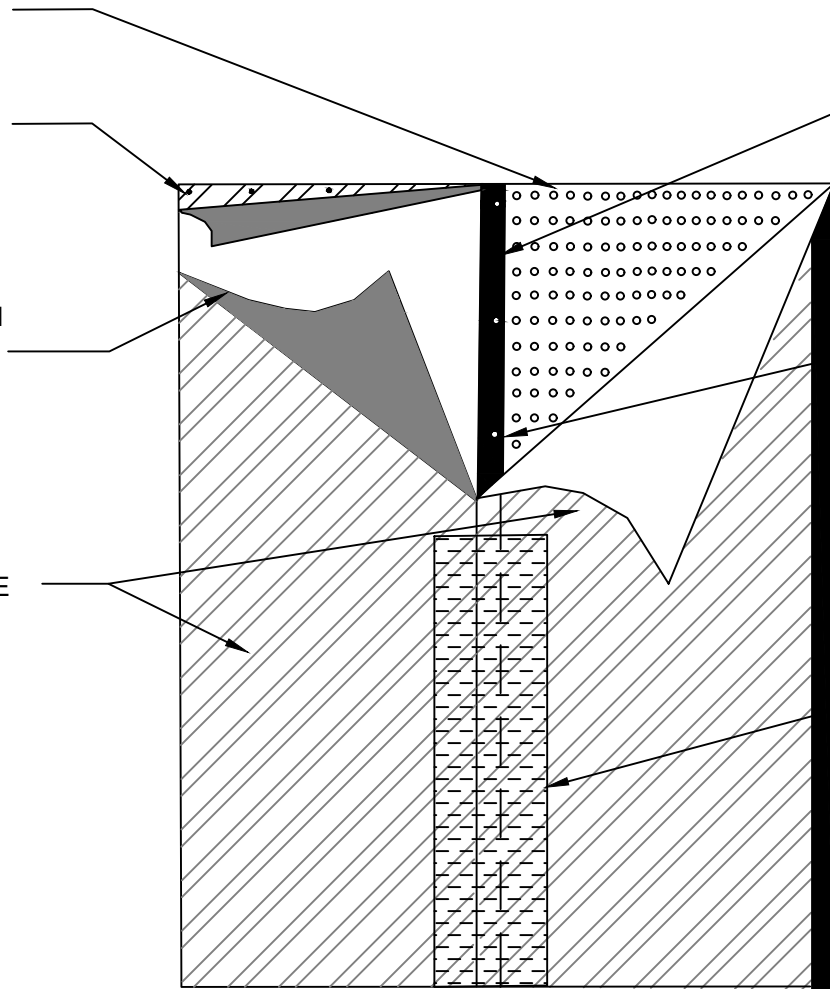
PROTECTIVE PACKAGING FILM REMOVED DURING INSTALLATION

POLYGUARD BLINDSIDE MEMBRANE FABRIC TOWARD CONCRETE POUR OR SHOTCRETE WHEN NOT IN THE WATER TABLE - CONSULT POLYGUARD IF IN THE WATER TABLE

4" FACTORY SELVAGE WITH PROTECTIVE RELEASE FILM COVERING

FASTENERS 18" - 24" O.C. INSTALLED IN OUTSIDE 1" OF SELVAGE EDGE - BY OTHERS

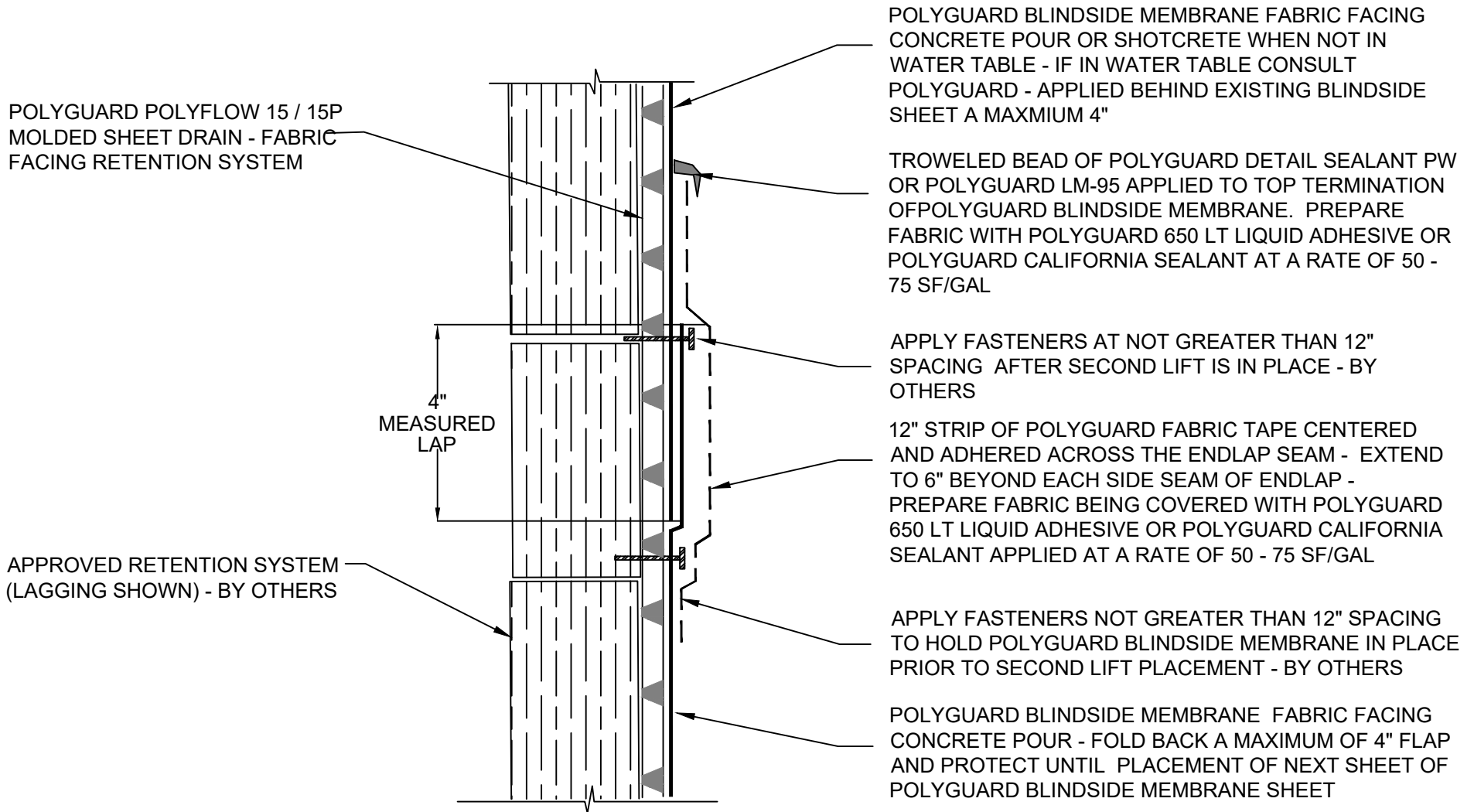
12" STRIP OF POLYGUARD FABRIC TAPE CENTERED OVER SEAM OF POLYGUARD BLINDSIDE MEMBRANE FABRIC PREPARED WITH POLYGUARD 650 LT LIQUID ADHESIVE OR POLYGUARD CALIFORNIA SEALANT AT A RATE OF 50 - 75 SF/GAL



BS6

SECTION @ REINFORCED SIDE LAP SEAM

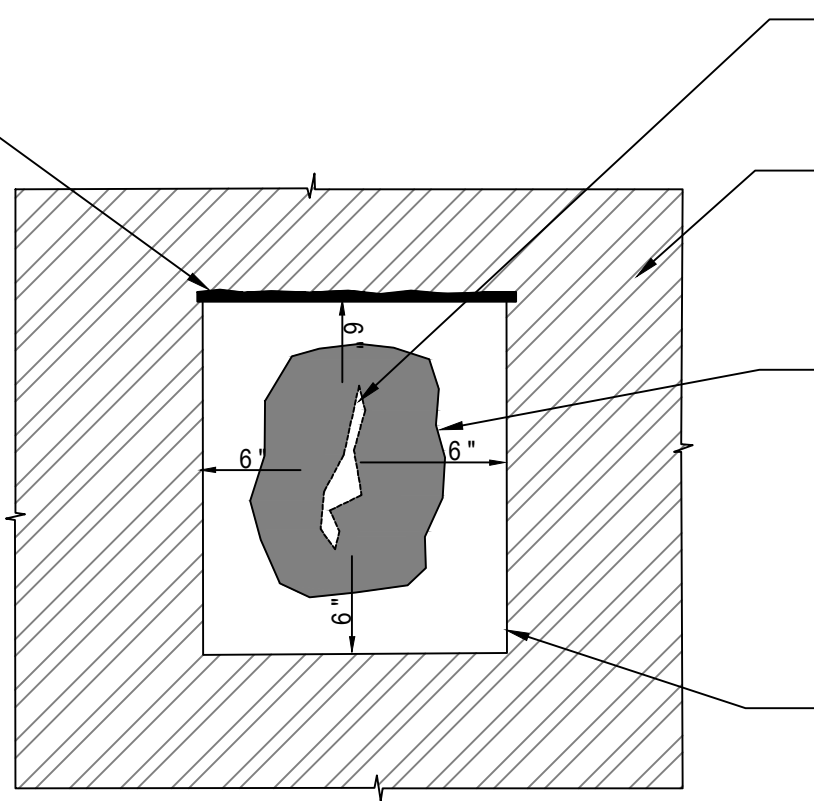
<small>The information provided is based on data and knowledge considered to be true and accurate and is offered for the users' consideration, investigation and verification, but we do not warrant the results to be obtained. Please read all data sheets, statements, recommendations or suggestions in conjunction with our conditions of sale, which apply to all goods supplied by us.</small>	NOT TO SCALE
	EFFECTIVE DATE: 10/01/2022
	SUPERCEDES: 01/18/2022



BS7 SECTION @ END LAP

<small>The information provided is based on data and knowledge considered to be true and accurate and is offered for the users' consideration, investigation and verification, but we do not warrant the results to be obtained. Please read all data sheets, statements, recommendations or suggestions in conjunction with our conditions of sale, which apply to all goods supplied by us.</small>	NOT TO SCALE
	EFFECTIVE DATE: 10/01/2022
	SUPERCEDES: 01/18/2022

TROWELED BEAD OF POLYGUARD DETAIL SEALANT PW OR POLYGUARD LM-95 APPLIED TO TOP EDGE OF REPAIR PATCH AND TOOLED TO A FEATHERED EDGE - ADHESIVE OR SEALANT APPLICATION NOT REQUIRED



REPAIR AREA

POLYGUARD BLINDSIDE MEMBRANE FABRIC FACING CONCRETE POUR

MINIMUM 60 MILS OF POLYGUARD LM-95 COVERING THE DAMAGED AREA AND EXTENDING A MINIMUM OF 1" BEYOND DAMAGE IN ALL DIRECTIONS OVER FABRIC OF POLYGUARD BLINDSIDE MEMBRANE PREPARED WITH POLYGUARD 650 LT LIQUID ADHESIVE OR POLYGUARD CALIFORNIA SEALANT AT A RATE OF 50 - 75 SF/GAL PRIOR TO POLYGUARD LM-95

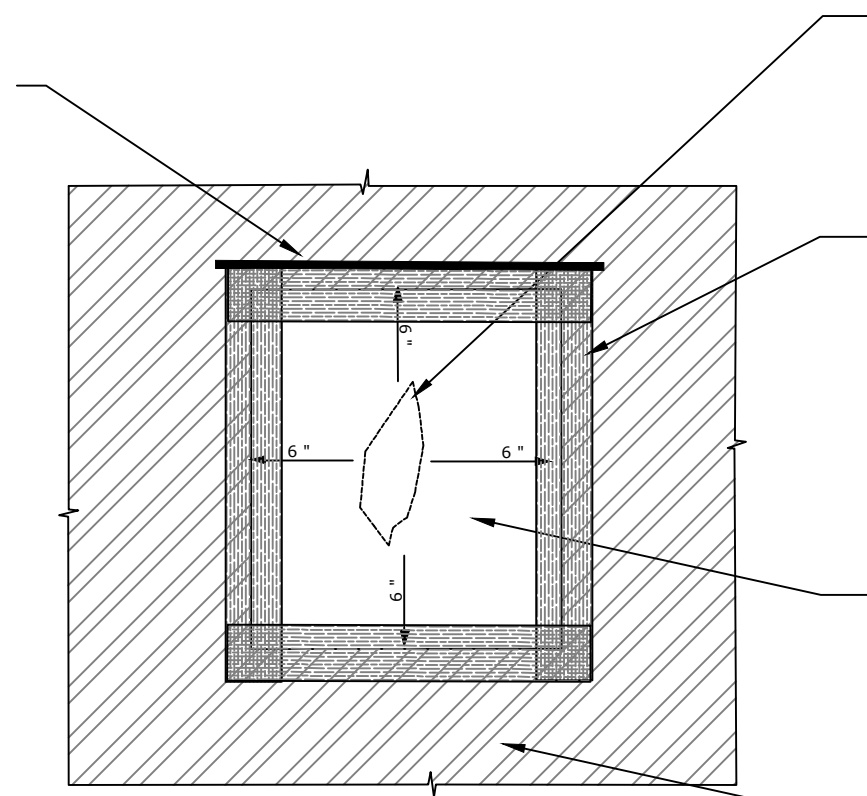
POLYGUARD FABRIC TAPE APPLIED A MINIMUM OF 6" IN ALL DIRECTIONS PAST DAMAGE AND ONTO POLYGUARD BLINDSIDE AND CURED POLYGUARD LM-95 - PREPARE FABRIC OF POLYGUARD BLINDSIDE WITH POLYGUARD 650 LT LIQUID ADHESIVE OR POLYGUARD CALIFORNIA SEALANT AT A RATE OF 50 - 75 SF/GAL

BS8

SECTION @ REPAIR PATCH OVER DAMAGE LESS THAN 2"

<small>The information provided is based on data and knowledge considered to be true and accurate and is offered for the users' consideration, investigation and verification, but we do not warrant the results to be obtained. Please read all data sheets, statements, recommendations or suggestions in conjunction with our conditions of sale, which apply to all goods supplied by us.</small>	NOT TO SCALE
	EFFECTIVE DATE: 10/01/2022
	SUPERCEDES: 01/18/2022

BEAD OF POLYGUARD DETAIL SEALANT PW OR POLYGUARD LM-95 APPLIED TO EDGE OF REPAIR PATCH - ADHESIVE OR SEALANT NOT REQUIRED



REPAIR AREA

APPLY A 12" STRIP OF POLYGUARD FABRIC TAPE OVER EDGES OF PATCH OF AND ONTO EXISTING POLYGUARD BLINDSIDE MEMBRANE PREPARED WITH POLYGUARD 650 LT LIQUID ADHESIVE OR POLYGUARD CALIFORNIA SEALANT AT A RATE OF 50 - 75 SF/GAL

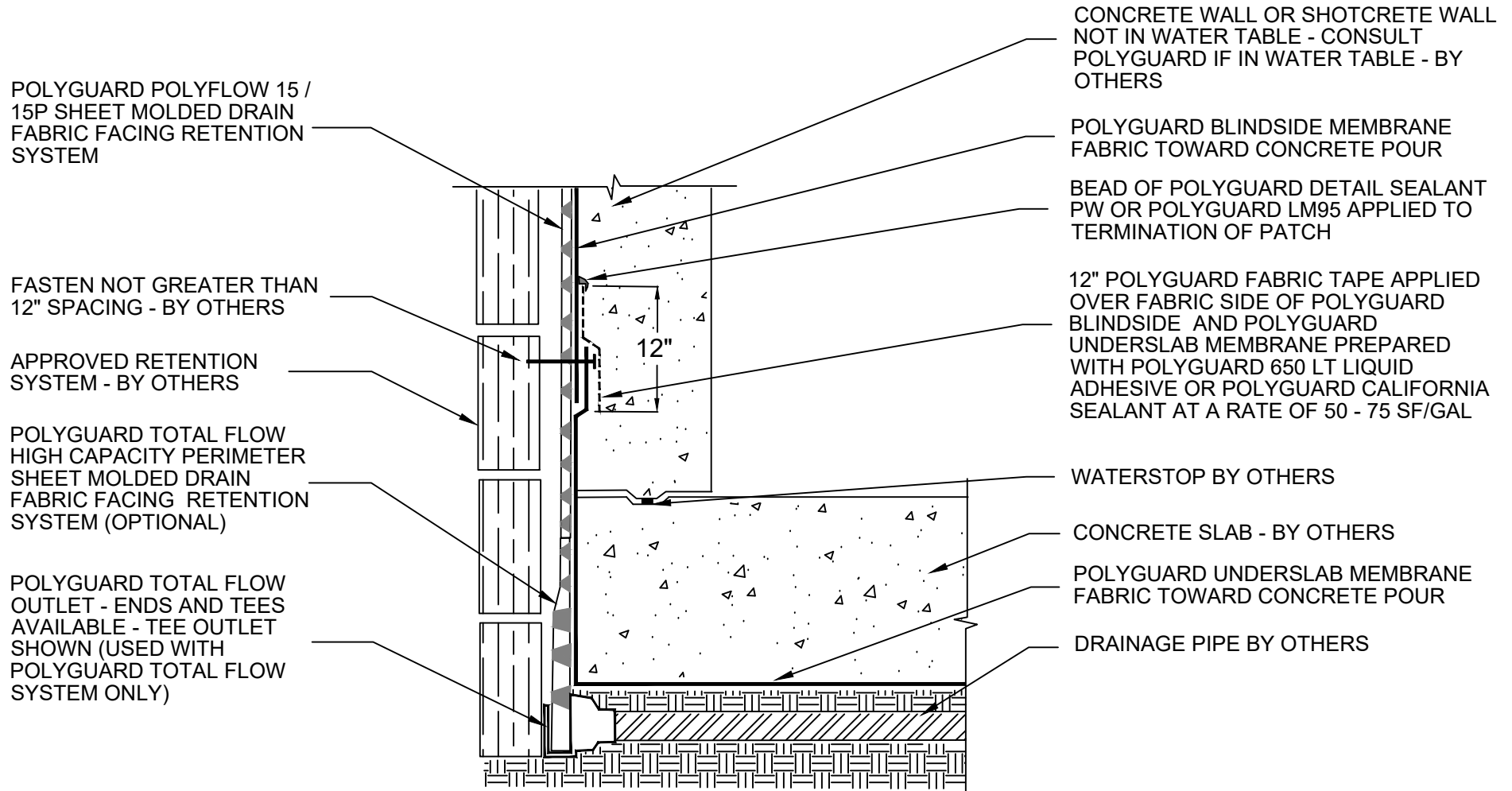
PIECE OF POLYGUARD BLINDSIDE MEMBRANE CUT 6" LARGER THAN DAMAGE IN ALL DIRECTIONS APPLY PATCH OVER THE DAMAGED AREA AND ONTO EXISTING POLYGUARD BLINDSIDE MEMBRANE.

EXISTING POLYGUARD BLINDSIDE MEMBRANE

BS9

SECTION @ REPAIR PATCH OVER DAMAGE GREATER THAN 2"

<small>The information provided is based on data and knowledge considered to be true and accurate and is offered for the users' consideration, investigation and verification, but we do not warrant the results to be obtained. Please read all data sheets, statements, recommendations or suggestions in conjunction with our conditions of sale, which apply to all goods supplied by us.</small>	NOT TO SCALE
	EFFECTIVE DATE: 10/01/2022
	SUPERCEDES: 01/18/2022



BS10

SECTION @ BLINDSIDE WITH TOTAL FLOW TIE IN TO UNDERSLAB

Polyguard Products, Inc.
P.O. Box 755 - Ennis, TX 75120
Phone: 214-515-5000
Web Site - www.polyguard.com

©POLYGUARD PRODUCTS, INC.
MATERIAL SEPARATED FOR CLARITY

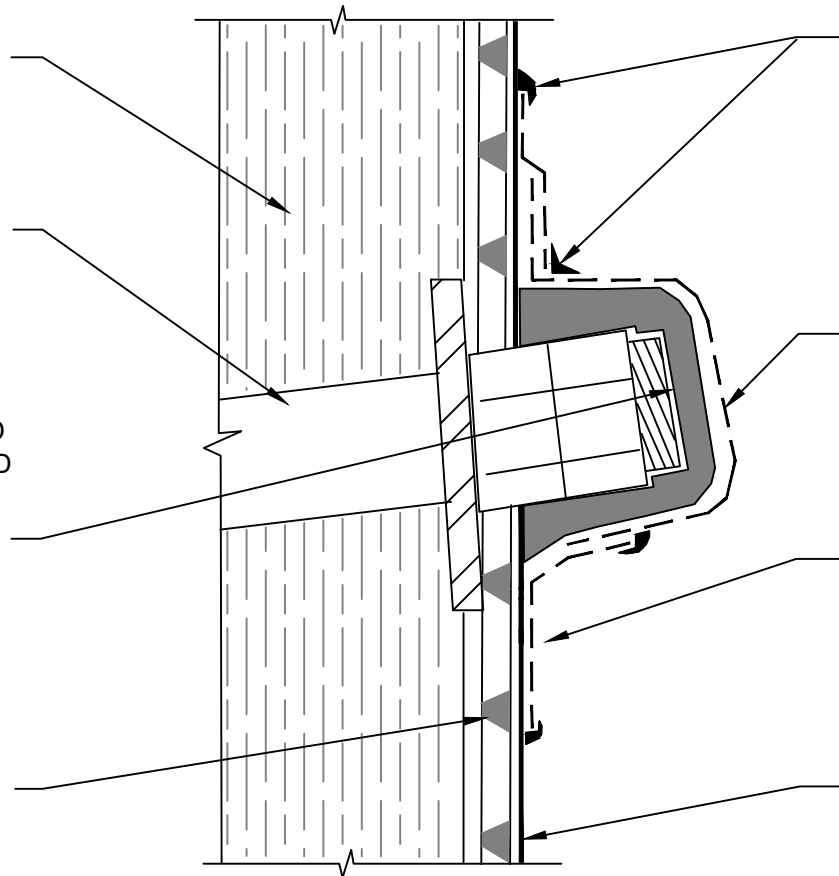
<small>The information provided is based on data and knowledge considered to be true and accurate and is offered for the users' consideration, investigation and verification, but we do not warrant the results to be obtained. Please read all data sheets, statements, recommendations or suggestions in conjunction with our conditions of sale, which apply to all goods supplied by us.</small>	NOT TO SCALE
	EFFECTIVE DATE: 10/01/2022
	SUPERCEDES: 01/18/2022

APPROVED RETENTION SYSTEM
LAGGING SHOWN - BY OTHERS

SOIL NAIL - BY OTHERS

90 MILS MINIMUM OF POLYGUARD
LM-95 APPLIED OVER POLYGUARD
BLINDSIDE MEMBRANE AND SOIL
NAIL HEAD - PREPARE FABRIC
WITH POLYGUARD 650 LT LIQUID
ADHESIVE OR POLYGUARD
CALIFORNIA SEALANT AT A RATE
OF 50 - 75 SF/GAL

POLYGUARD POLYFLOW 15 /15P
MOLDED SHEET DRAIN FABRIC
TOWARD RETENTION SYSTEM



POLYGUARD DETAIL SEALANT PW OR
POLYGUARD LM-95 APPLIED OVER
TERMINATION OF POLYGUARD FABRIC
TAPE AND ONTO POLYGUARD BLINDSIDE
MEMBRANE - PREPARE FABRIC WITH
POLYGUARD 650 LT LIQUID ADHESIVE OR
POLYGUARD CALIFORNIA SEALANT AT A
RATE OF 50 - 75 SF/GAL

POLYGUARD FABRIC TAPE APPLIED OVER
POLYGUARD BLINDSIDE MEMBRANE AND
POLYGUARD LM-95 - PREPARE FABRIC
WITH POLYGUARD 650 LT LIQUID
ADHESIVE OR POLYGUARD CALIFORNIA
SEALANT AT A RATE OF 50 - 75 SF/GAL

POLYGUARD FABRIC TAPE APPLIED ONTO
POLYGUARD FABRIC TAPE AND ONTO
POLYGUARD BLINDSIDE MEMBRANE
PREPARED WITH POLYGUARD 650 LT
LIQUID ADHESIVE OR POLYGUARD
CALIFORNIA SEALANT AT A RATE OF 50 -
75 SF/GAL

POLYGUARD BLINDSIDE MEMBRANE
FABRIC TOWARD CONCRETE POUR OR
SHOTCRETE NOT IN THE WATER TABLE -
CONSULT POLYGUARD IF IN THE WATER
TABLE

BS11

SECTION @ TIE BACK / SOIL NAIL HEAD

TOPPING SLAB- BY OTHERS

POLYGUARD POLYFLOW 18
MOLDED SHEET DRAIN AS
REQUIRED

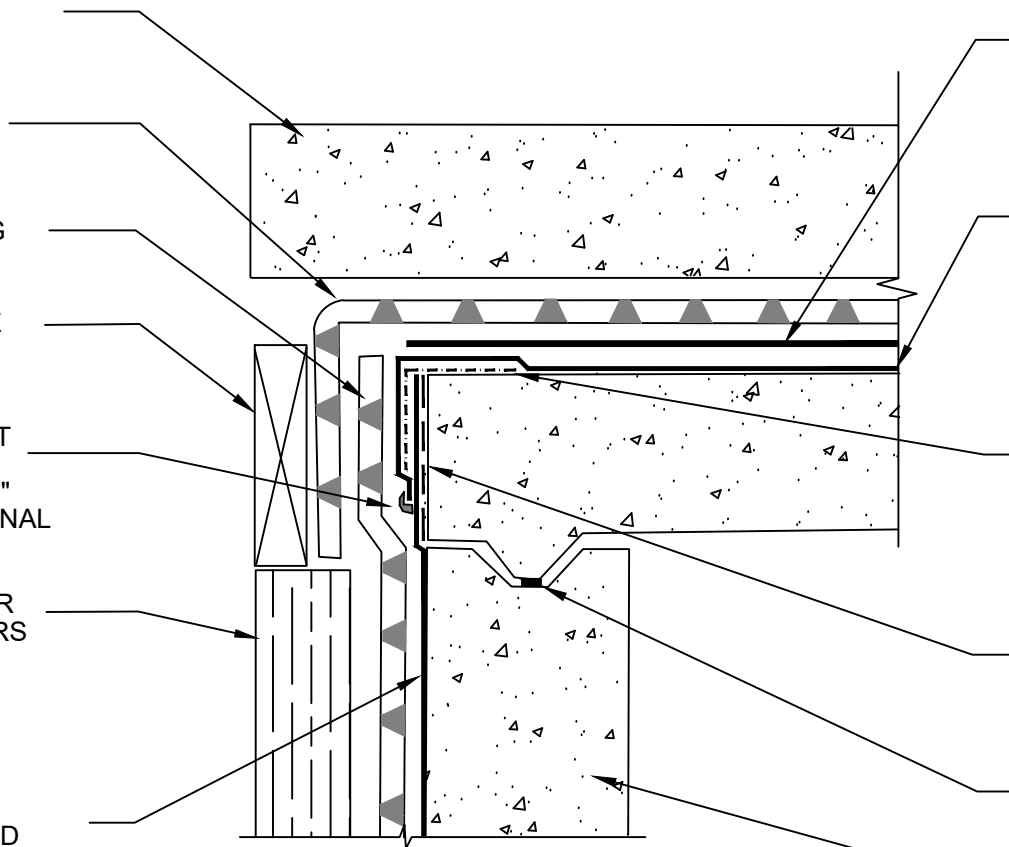
POLYFLOW 15 / 15P MOLDED
SHEET DRAIN FABRIC FACING
RETENTION SYSTEM

TEMPORARY FORM (REMOVE
FOR TIE IN)

MINIMUM 90 MILS OF
POLYGUARD DETAIL SEALANT
PW OR POLYGUARD LM-95
EXTENDED A MINIMUM OF 1/2"
TO EACH SIDE OF THE TERMINAL
EDGE

RETENTION SYSTEM - TIMBER
LAGGING SHOWN - BY OTHERS

POLYGUARD BLINDSIDE
MEMBRANE APPLIED OVER
POLYGUARD 606 TAPE -
PREPARE FABRIC OF
POLYGUARD BLINDSIDE
MEMBRANE WITH POLYGUARD
650 LT LIQUID ADHESIVE OR
POLYGUARD CALIFORNIA
SEALANT AT A RATE OF 50 - 75
SF/GAL



PROTECTION COURSE AS
REQUIRED - BY OTHERS

POLYGUARD 650 MEMBRANE OR
POLYGUARD PRM APPLIED TO
SUBSTRATE PREPARED WITH
POLYGUARD 650 LT LIQUID
ADHESIVE OR POLYGUARD
CALIFORNIA SEALANT AT A RATE
OF 250 - 300 SF/GAL AND ONTO
FILM SIDE OF POLYGUARD
BLINDSIDE MEMBRANE

POLYGUARD DETAIL TAPE
APPLIED TO SUBSTRATE
PREPARED WITH POLYGUARD
650 LT LIQUID ADHESIVE OR
POLYGUARD CALIFORNIA
SEALANT AT A RATE OF 250 - 300
SF/GAL

POLYGUARD 606 TAPE APPLIED
TO SUBSTRATE PREPARED WITH
POLYGUARD 650 LT LIQUID
ADHESIVE OR POLYGUARD
CALIFORNIA SEALANT AT A RATE
OF 250 - 300 SF/GAL

WATERSTOP BY OTHERS

CONCRETE WALL OR
SHOTCRETE WHEN NOT IN
WATER TABLE - BY OTHERS -
CONSULT POLYGUARD IF IN
WATER TABLE

BS12

SECTION @ TIE IN TO 650 / PRM MEMBRANE

Polyguard Products, Inc.
P.O. Box 755 - Ennis, TX 75120
Phone: 214-515-5000
Web Site - www.polyguard.com

©POLYGUARD PRODUCTS, INC.
MATERIAL SEPARATED FOR CLARITY

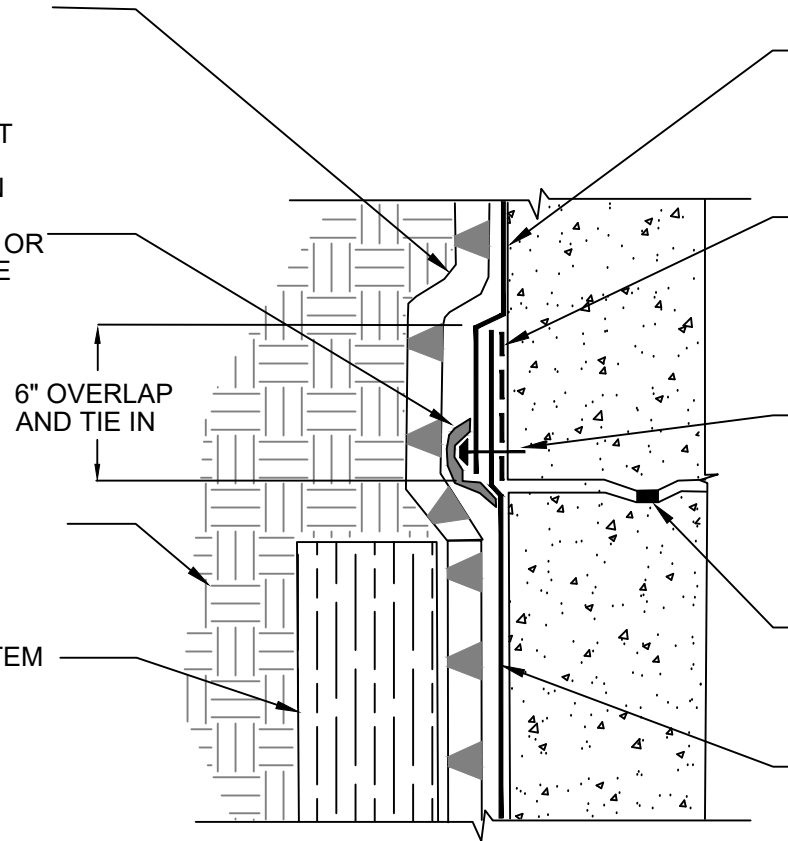
<small>The information provided is based on data and knowledge considered to be true and accurate and is offered for the users' consideration, investigation and verification, but we do not warrant the results to be obtained. Please read all data sheets, statements, recommendations or suggestions in conjunction with our conditions of sale, which apply to all goods supplied by us.</small>	NOT TO SCALE
	EFFECTIVE DATE: 10/01/2022
	SUPERCEDES: 01/18/2022

POLYGUARD POLYFLOW 15 / 15P
MOLDED SHEET DRAINAGE -
FABRIC FACING RETENTION
SYSTEM AND BACKFILL

MINIMUM 90 MILS OF
POLYGUARD DETAIL SEALANT
PW OR POLYGUARD LM-95
APPLIED OVER TERMINATION
STRIP AND TIE IN SEAMS OF
POLYGUARD 650 MEMBRANE OR
POLYGUARD PRM MEMBRANE
AND POLYGUARD BLINDSIDE
MEMBRANE EXTENDED A
MINIMUM OF 1/2" PAST
TERMINAL EDGE

SOIL - BY OTHERS

APPROVED RETENTION SYSTEM
- BY OTHERS



POLYGUARD 650 MEMBRANE OR POLYGUARD PRM
MEMBRANE APPLIED TO CLEAN, DRY, FROST FREE
SUBSTRATE PREPARED WITH POLYGUARD 650 LT
LIQUID ADHESIVE OR POLYGUARD CALIFORNIA
SEALANT AT A RATE OF 250 - 300 SF/GAL AND
ONTO EXISTING POLYGUARD BLINDSIDE
MEMBRANE MINIMUM OF 6"

POLYGUARD 606 TAPE APPLIED TO CLEAN, DRY,
FROST FREE SUBSTRATE PREPARED WITH
POLYGUARD 650 LT LIQUID ADHESIVE OR
POLYGUARD CALIFORNIA SEALANT AT A RATE OF
250 - 300 SF/GAL

1/8" X 1" METAL TERMINATION STRIP ALIGNED
ALONG BOTTOM EDGE OF POLYGUARD 650
MEMBRANE OR POLYGUARD PRM MEMBRANE WITH
FASTENERS SPACED 2" INWARD FROM END OF
TERMINATION STRIP AND NOT MORE THAN 8"
SPACING BETWEEN FASTENERS - IF TERMINATION
IS NOT IN WATER TABLE NO TERM BAR IS
REQUIRED - BY OTHERS

WATERSTOP - BY OTHERS

POLYGUARD BLINDSIDE MEMBRANE FABRIC
TOWARD CONCRETE POUR OR SHOTCRETE WHEN
NOT IN WATER TABLE - CONSULT POLYGUARD IF IN
THE WATER TABLE - FOLD BACK TOP FLAP AND
PREPARE WITH POLYGUARD 650 LT LIQUID
ADHESIVE OR POLYGUARD CALIFORNIA SEALANT
AT A RATE OF 50 - 75 SF/GAL PRIOR TO APPLYING
OVER POLYGUARD 606 TAPE

BS13

SECTION @ VERTICAL TERMINATION OF 650 / PRM TO BLINDSIDE MEMBRANE

©POLYGUARD PRODUCTS, INC.
MATERIAL SEPARATED FOR CLARITY

Polyguard Products, Inc.
P.O. Box 755 - Ennis, TX 75120
Phone: 214-515-5000
Web Site - www.polyguard.com

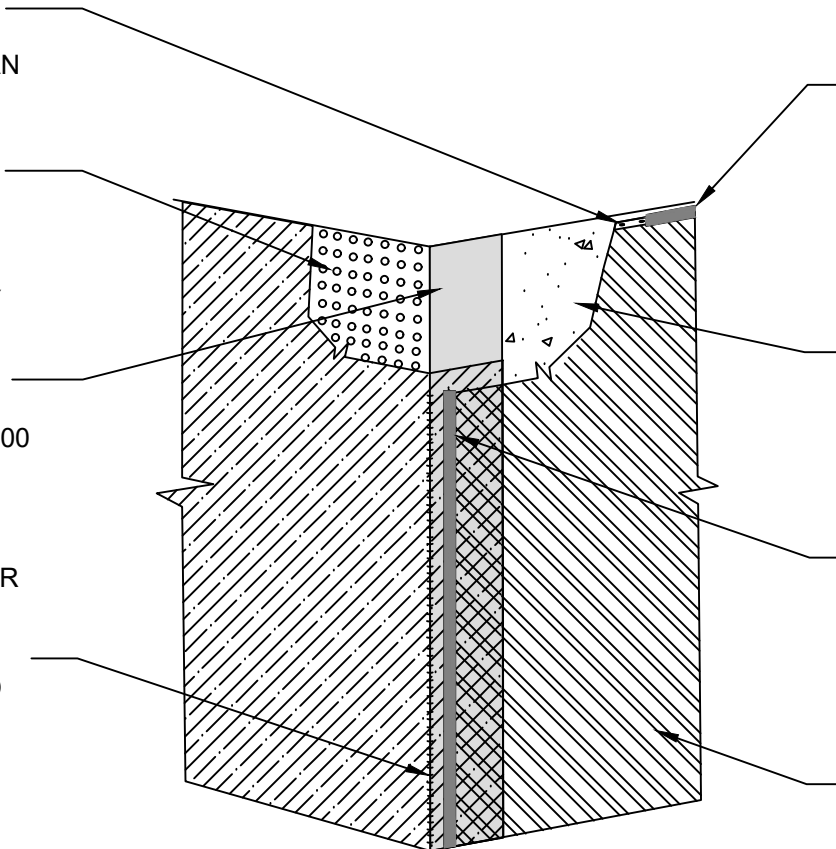
<small>The information provided is based on data and knowledge considered to be true and accurate and is offered for the users' consideration, investigation and verification, but we do not warrant the results to be obtained. Please read all data sheets, statements, recommendations or suggestions in conjunction with our conditions of sale, which apply to all goods supplied by us.</small>	NOT TO SCALE
	EFFECTIVE DATE: 10/01/2022
	SUPERCEDES: 01/18/2022

1/8" x 1" METAL TERMINATION STRIP ALIGNED ALONG TOP EDGE OF POLYGUARD 650 MEMBRANE OR POLYGUARD PRM MEMBRANE AND FASTENED NOT GREATER THAN 8" SPACING - BY OTHERS

POLYGUARD POLYFLOW 15 /15P MOLDED SHEET DRAIN - FABRIC TOWARD RETENTION SYSTEM

12" STRIP OF POLYGUARD 606 TAPE APPLIED TO CLEAN, DRY AND FROST FREE CONCRETE PREPARED WITH POLYGUARD 650 LT LIQUID ADHESIVE OR POLYGUARD CALIFORNIA SEALANT AT A RATE OF 250 - 300 SF/GAL

12" POLYGUARD BLINDSIDE MEMBRANE TAIL APPLIED OVER 12" STRIP OF POLYGUARD 606 TAPE - PREPARE FABRIC SIDE OF POLYGUARD BLINDSIDE MEMBRANE WITH POLYGUARD 650 LT LIQUID ADHESIVE OR POLYGUARD CALIFORNIA SEALANT AT A RATE OF 50 - 75 SF/GAL



MINIMUM 90 MILS OF POLYGUARD DETAIL SEALANT PW APPLIED TO THE TERMINAL EDGE OF TERMINATION STRIP COVERING FASTENERS AND EXTENDING 1/2" ABOVE AND BELOW TERMINATION STRIP

CLEAN DRY FROST FREE CONCRETE - BY OTHERS

MINIMUM 90 MILS OF POLYGUARD DETAIL SEALANT PW APPLIED TO VERTICAL EDGE OF POLYGUARD 650 MEMBRANE OR POLYGUARD PRM MEMBRANE

POLYGUARD 650 MEMBRANE OR POLYGUARD PRM MEMBRANE APPLIED TO CLEAN, DRY AND FROST FREE SUBSTRATE PREPARED WITH POLYGUARD 650 LT LIQUID ADHESIVE OR POLYGUARD CALIFORNIA SEALANT AT A RATE OF 250 - 300 SF/GAL OR POLYGUARD 650 WB LIQUID ADHESIVE AT A RATE OF 350 - 400 SF/GAL - POLYGUARD 650 WB LIQUID ADHESIVE CAN ONLY BE USED ON THE POLYGUARD 650 MEMBRANE WALL NOT POLYGUARD BLINDSIDE WALL

BS14

SECTION @ TIE IN TO 650 / PRM AT OUTSIDE CORNER

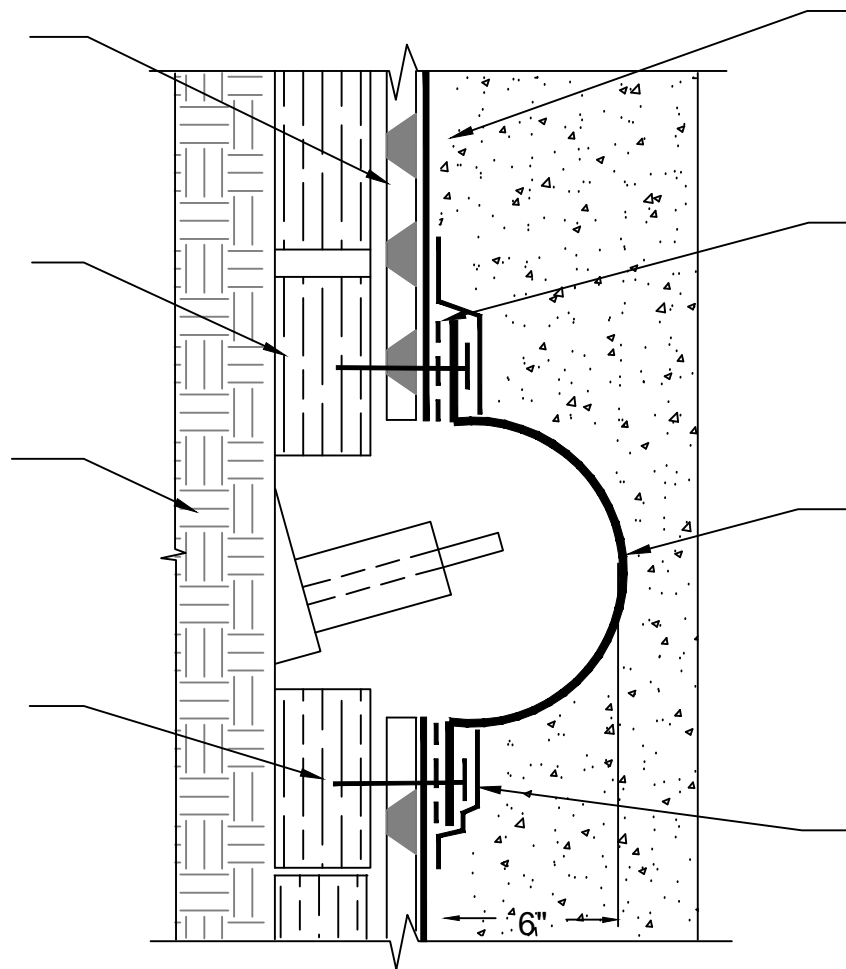
<small>The information provided is based on data and knowledge considered to be true and accurate and is offered for the users' consideration, investigation and verification, but we do not warrant the results to be obtained. Please read all data sheets, statements, recommendations or suggestions in conjunction with our conditions of sale, which apply to all goods supplied by us.</small>	NOT TO SCALE
	EFFECTIVE DATE: 10/01/2022
	SUPERCEDES: 01/18/2022

POLYGUARD POLYFLOW 15 / 15 P
SHEET MOLDED DRAIN FABRIC FACING
RETENTION SYSTEM

RETENTION SYSTEM - WOOD LAGGING
SHOWN - BY OTHERS

SOIL - BY OTHERS

FASTEN POLYGUARD POLYCOVER TO
RETENTION SYSTEM AT EACH FLANGE
CORNER PRE DRILL FASTENER HOLES
IN COLD WEATHER



POLYGUARD BLINDSIDE MEMBRANE
FABRIC FACING CONCRETE POUR
OR SHOTCRETE WHEN NOT IN
WATER TABLE - CONSULT
POLYGUARD IF IN THE WATER
TABLE

POLYGUARD 606 TAPE APPLIED TO
BASE OF CLEAN DRY POLYGUARD
POLYCOVER AND FASTENER HEAD
- APPLY POLYGUARD 650 LT LIQUID
ADHESIVE OR POLYGUARD
CALIFORNIA SEALANT AT A RATE
OF 50 - 75 SF/GAL PRIOR TO
APPLICATION OVER FABRIC SIDE
OF POLYGUARD BLINDSIDE
MEMBRANE

POLYGUARD PREFORMEND
POLYCOVER OR TIEBACK COVER
FIELD MADE - IF FIELD MADE
CONTACT POLYGUARD FOR
RECOMMENDATIONS

POLYGUARD LM-95 APPLIED 3"
ONTO UNPRIMED POLYGUARD
POLYCOVER AND 3" ON THE
FABRIC OF THE POLYGUARD
BLINDSIDE MEMBRANE PREPARED
WITH POLYGUARD 650 LT LIQUID
ADHESIVE OR POLYGUARD
CALIFORNIA SEALANT AT A RATE
OF 50 - 75 SF/GAL

BS15

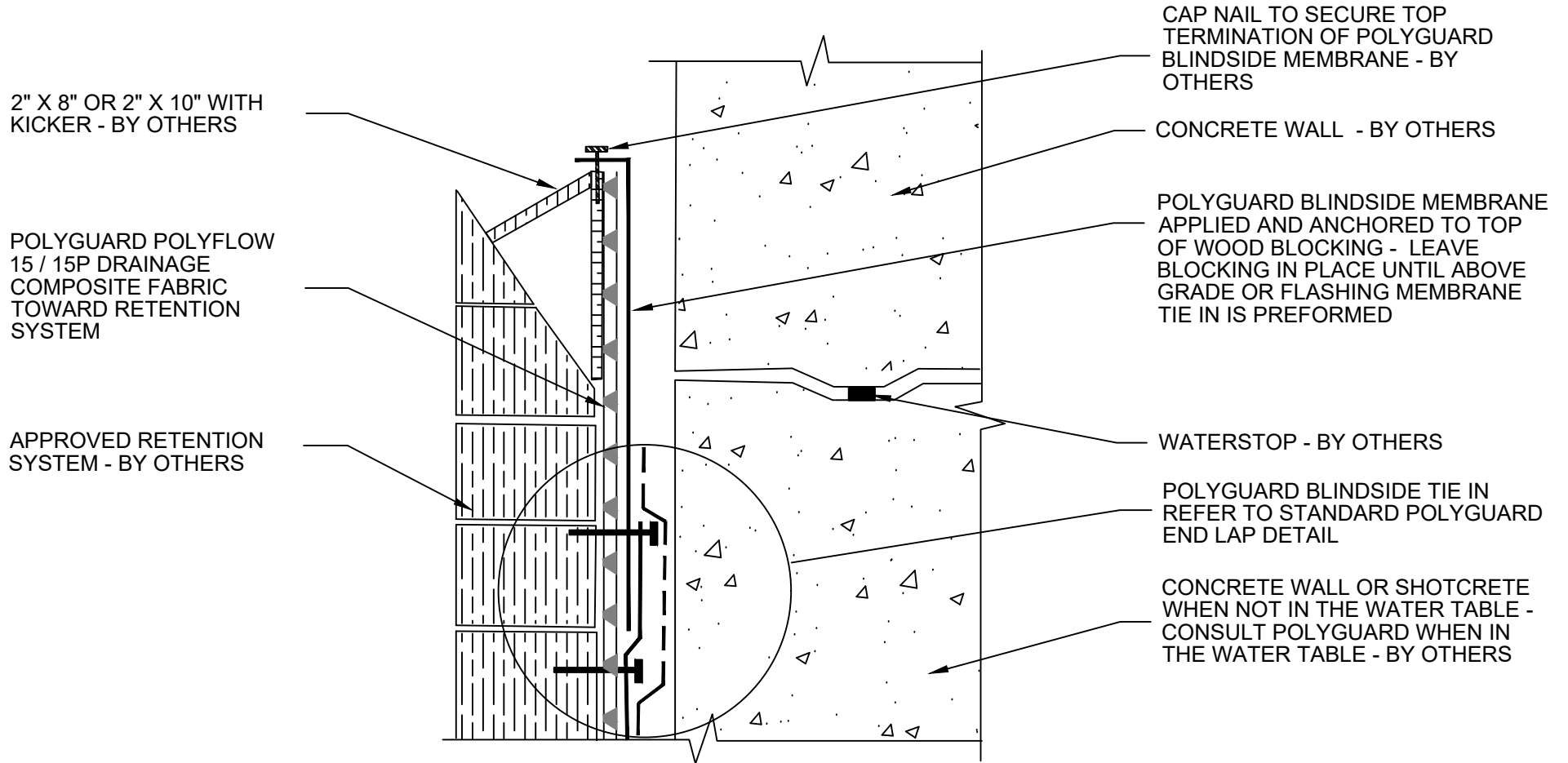
SECTION @ POLYCOVER OVER THE TIE BACK / SOIL NAIL ASSEMBLY

Polyguard Products, Inc.
P.O. Box 755 - Ennis, TX 75120
Phone: 214-515-5000
Web Site - www.polyguard.com

©POLYGUARD PRODUCTS, INC.
MATERIAL SEPARATED FOR CLARITY

<small>The information provided is based on data and knowledge considered to be true and accurate and is offered for the users' consideration, investigation and verification, but we do not warrant the results to be obtained. Please read all data sheets, statements, recommendations or suggestions in conjunction with our conditions of sale, which apply to all goods supplied by us.</small>	NOT TO SCALE
	EFFECTIVE DATE: 10/01/2022
	SUPERCEDES: 01/18/2022

NOTE: CRITICAL DETAIL - WARRANTY INVOLVED



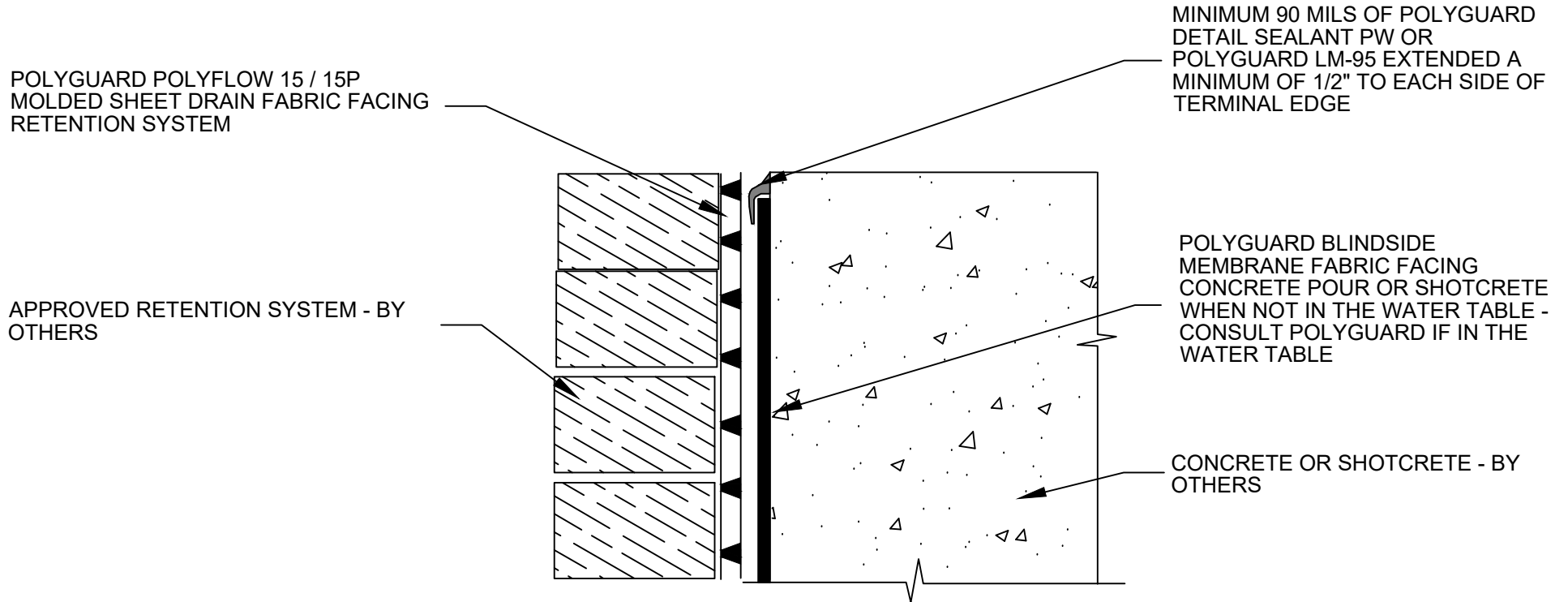
BS16

SECTION @ TOP OF WALL TERMINATION MECHANICALLY FASTENED

Polyguard Products, Inc.
P.O. Box 755 - Ennis, TX 75120
Phone: 214-515-5000
Web Site - www.polyguard.com

©POLYGUARD PRODUCTS, INC.
MATERIAL SEPARATED FOR CLARITY

<small>The information provided is based on data and knowledge considered to be true and accurate and is offered for the users' consideration, investigation and verification, but we do not warrant the results to be obtained. Please read all data sheets, statements, recommendations or suggestions in conjunction with our conditions of sale, which apply to all goods supplied by us.</small>	NOT TO SCALE
	EFFECTIVE DATE: 10/01/2022
	SUPERCEDES: 01/18/2022



BS17

SECTION @ TOP OF WALL EMBEDDED TERMINATION

Polyguard Products, Inc.
P.O. Box 755 - Ennis, TX 75120
Phone: 214-515-5000
Web Site - www.polyguard.com

©POLYGUARD PRODUCTS, INC.
MATERIAL SEPARATED FOR CLARITY

<small>The information provided is based on data and knowledge considered to be true and accurate and is offered for the users' consideration, investigation and verification, but we do not warrant the results to be obtained. Please read all data sheets, statements, recommendations or suggestions in conjunction with our conditions of sale, which apply to all goods supplied by us.</small>	NOT TO SCALE
	EFFECTIVE DATE: 10/01/2022
	SUPERCEDES: 01/18/2022