

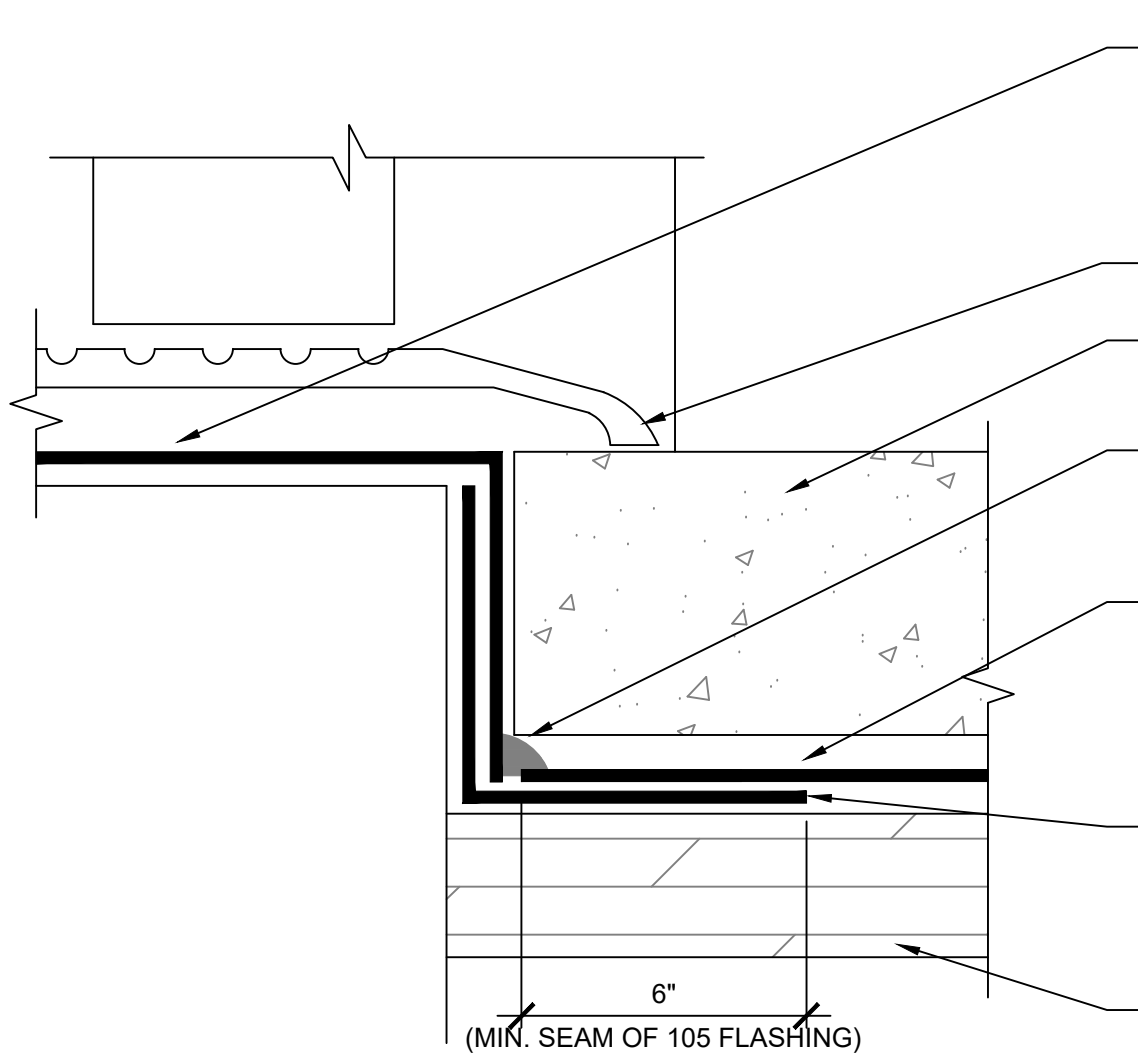
BS1

OVERVIEW - EARTH RETENTION SYSTEM

Polyguard Products, Inc.
P.O. Box 755 - Ennis, TX 75120
Phone: 214-515-5000
Web Site - www.polyguard.com

©POLYGUARD PRODUCTS, INC.
MATERIAL SEPARATED FOR CLARITY

<small>The information provided is based on data and knowledge considered to be true and accurate and is offered for the users' consideration, investigation and verification, but we do not warrant the results to be obtained. Please read all data sheets, statements, recommendations or suggestions in conjunction with our conditions of sale, which apply to all goods supplied by us.</small>	NOT TO SCALE
	EFFECTIVE DATE: 07/15/2024
	SUPERCEDES: 10/01/2022



APPLY A STRIP OF POLYGUARD BALCONY SHEET MEMBRANE SERIES WATERPROOFING OVER POLYGUARD 650 LT LIQUID ADHESIVE OR POLYGUARD CALIFORNIA SEALANT APPLIED AT A RATE OF 250 -300 SF / GAL OR POLYGUARD 650 WB LIQUID ADHESIVE APPLIED AT A RATE OF 350 -400 SF / GAL EXTENDING UP 2" ONTO DOOR JAMB TO CREATE A THRESHOLD PAN.

FASTEN DOOR THRESHOLD TO SILL WITH SCREWS - BY OTHERS

CONCRETE SLAB - BY OTHERS

POLYGUARD DETAIL SEALANT PW OR POLYGUARD LM-95 APPLIED AND TOOLED - REFER TO BW3

POLYGUARD BALCONY SHEET MEMBRANE SERIES WATERPROOFING OVER POLYGUARD 650 LT LIQUID ADHESIVE OR POLYGUARD CALIFORNIA SEALANT APPLIED AT A RATE OF 250 - 300 SF / GAL OR POLYGUARD 650 WB LIQUID ADHESIVE APPLIED AT A RATE OF 350 - 400 SF / GAL

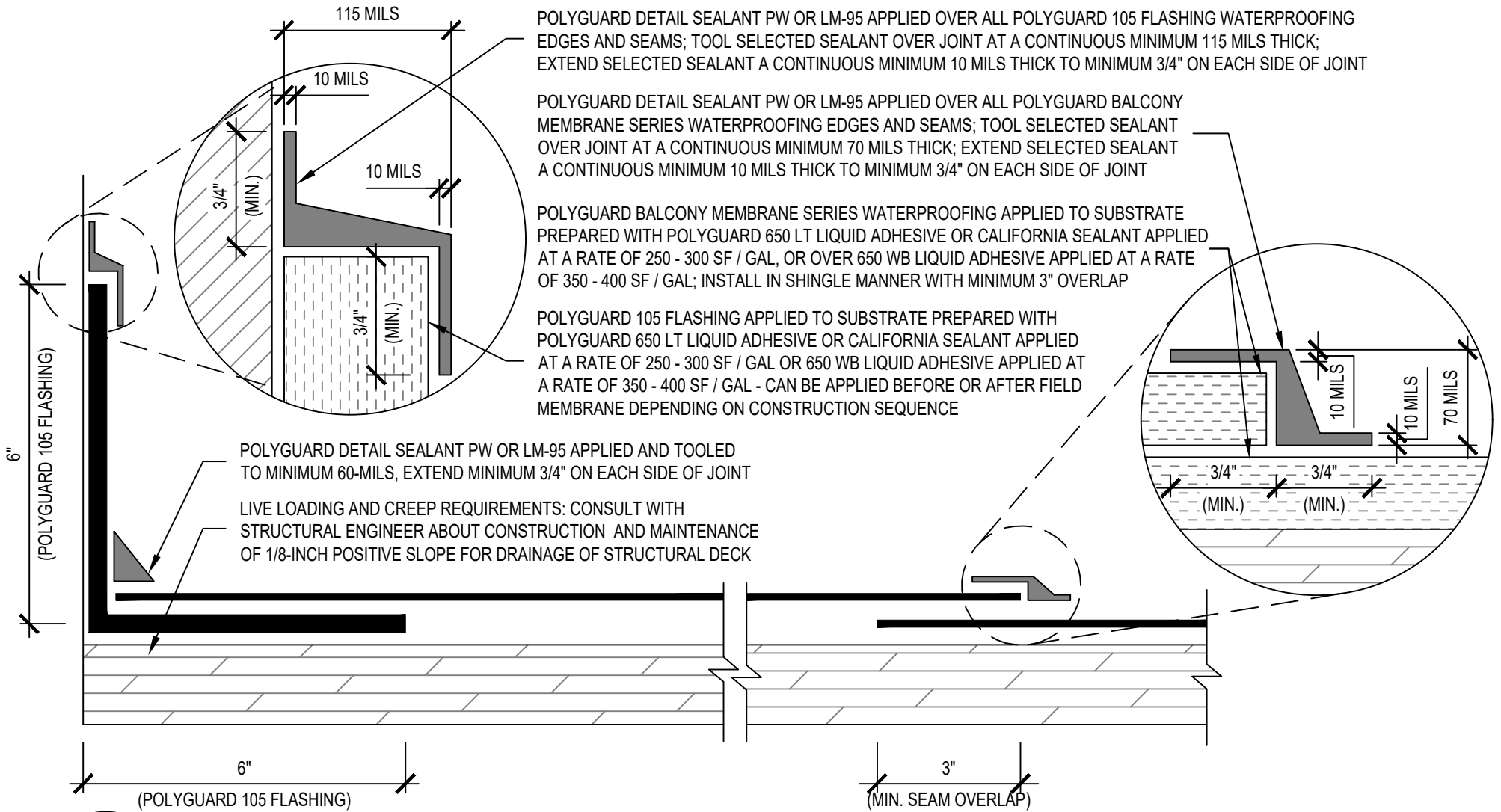
POLYGUARD 105 FLASHING OVER POLYGUARD 650 LT LIQUID ADHESIVE OR POLYGUARD CALIFORNIA SEALANT APPLIED AT A RATE OF 250 - 300 SF / GAL OR POLYGUARD 650 WB LIQUID ADHESIVE APPLIED AT A RATE OF 350 -400 SF / GAL - FLASHING CAN BE APPLIED BEFORE OR AFTER THE FIELD MEMBRANE DEPENDING ON CONSTRUCTION SEQUENCE

LIVE LOADING AND CREEP REQUIREMENTS: CONSULT WITH STRUCTURAL ENGINEER ABOUT CONSTRUCTION AND MAINTENANCE OF 1/8-INCH POSITIVE SLOPE FOR DRAINAGE OF STRUCTURAL DECK

BW2 SECTION @ THRESHOLD DETAIL - POSITIVE SLOPE

SPECIAL NOTE: IF ADHESIVE IS REQUIRED FOR SEAMS OR ENDLAPS DO NOT USE POLYGUARD 650 WB LIQUID ADHESIVE

<small>The information provided is based on data and knowledge considered to be true and accurate and is offered for the users' consideration, investigation and verification, but we do not warrant the results to be obtained. Please read all data sheets, statements, recommendations or suggestions in conjunction with our conditions of sale, which apply to all goods supplied by us.</small>	NOT TO SCALE
	EFFECTIVE DATE: 07/15/2024
	SUPERCEDES: 06/06/2023



BW3

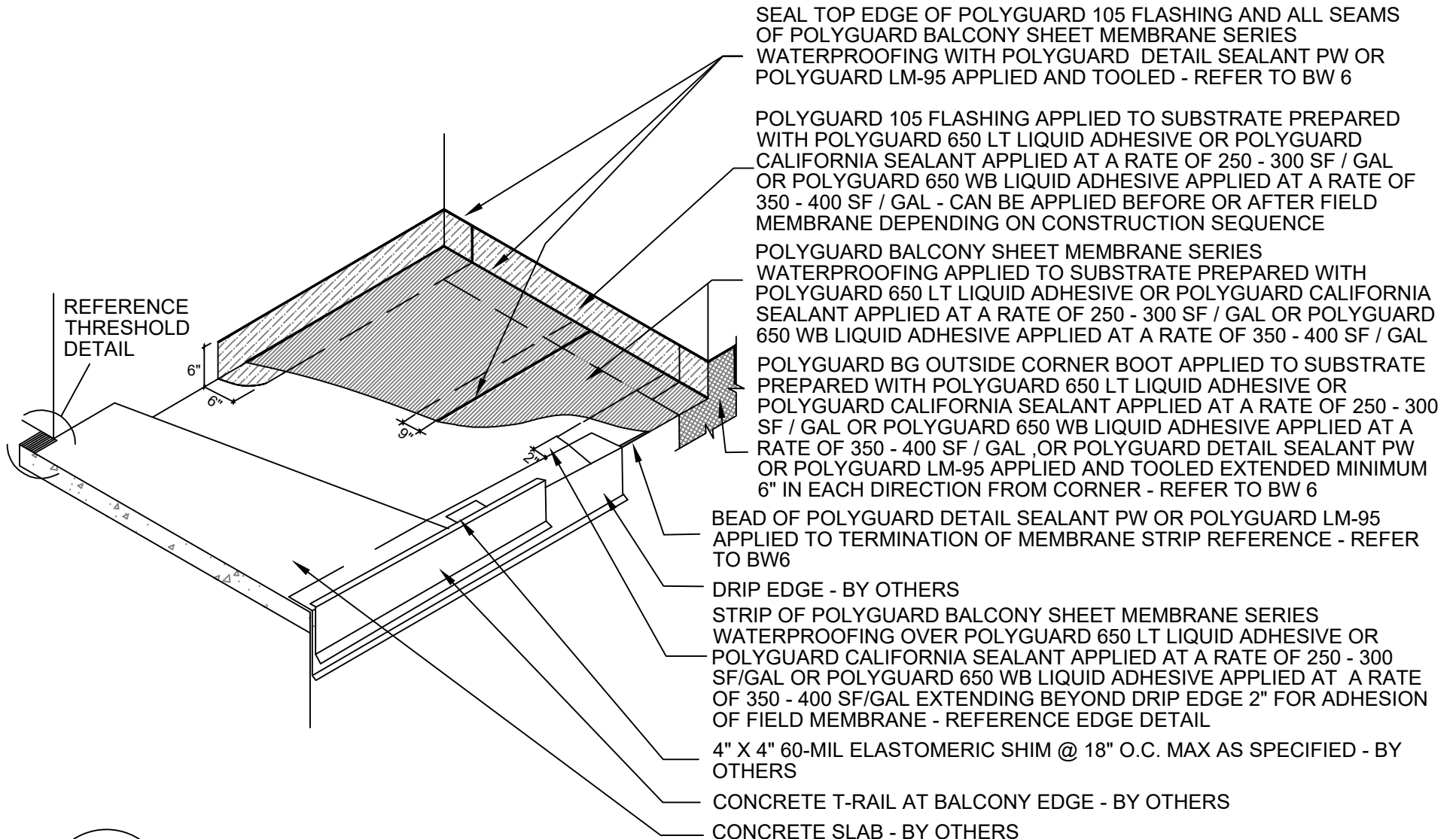
SECTION @ BALCONY MEMBRANE SERIES WATERPROOFING - OVERLAP / EDGE OVERVIEW (POSITIVE SLOPE)

Polyguard Products, Inc.
P.O. Box 755 - Ennis, TX 75120
Phone: 214-515-5000
Web Site - www.polyguard.com

GENERAL NOTE: IF ADHESIVE IS REQUIRED FOR SEAMS OR END LAPS, DO NOT USE POLYGUARD 650 WB LIQUID ADHESIVE.

MATERIAL SEPARATED FOR CLARITY
© POLYGUARD PRODUCTS, INC.

<small>The information provided is based on data and knowledge considered to be true and accurate and is offered for the users' consideration, investigation and verification, but we do not warrant the results to be obtained. Please read all data sheets, statements, recommendations or suggestions in conjunction with our conditions of sale, which apply to all goods supplied by us.</small>	NOT TO SCALE
	EFFECTIVE DATE: 07/15/2024
	SUPERCEDES: 06/07/2023



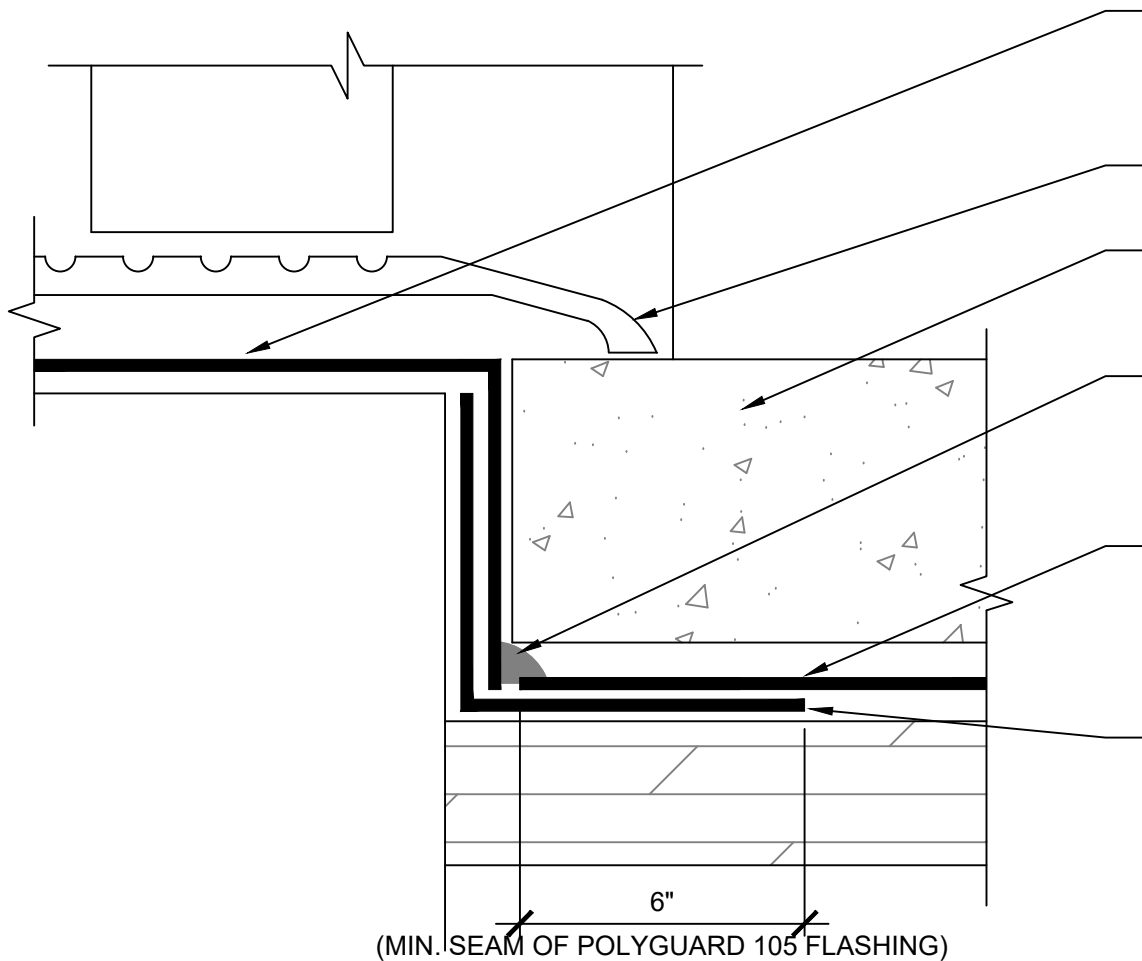
BW4

ISOMETRIC @ OVERVIEW ZERO SLOPE BALCONY DECK

SPECIAL NOTE: IF ADHESIVE IS REQUIRED FOR SEAMS OR END LAPS, DO NOT USE POLYGUARD 650 WB LIQUID ADHESIVE

©POLYGUARD PRODUCTS, INC.
MATERIAL SEPARATED FOR CLARITY

The information provided is based on data and knowledge considered to be true and accurate and is offered for the users' consideration, investigation and verification, but we do not warrant the results to be obtained. Please read all data sheets, statements, recommendations or suggestions in conjunction with our conditions of sale, which apply to all goods supplied by us.	NOT TO SCALE
	EFFECTIVE DATE: 07/15/2023
	SUPERCEDES: 06/06/2023



APPLY A STRIP OF POLYGUARD BALCONY SHEET MEMBRANE SERIES WATERPROOFING OVER POLYGUARD 650 LT LIQUID ADHESIVE OR POLYGAURD CALIFORNIA SEALANT APPLIED AT A RATE OF 250 -300 SF / GAL OR POLYGUARD 650 WB LIQUID ADHESIVE APPLIED AT A RATE OF 350 -400 SF / GAL EXTENDING UP 2" ONTO DOOR JAMB

FASTEN DOOR THRESHOLD TO SILL WITH SCREWS - BY OTHERS

CONCRETE SLAB - BY OTHERS

POLYGUARD DETAILS SEALANT PW OR POLYGUARD LM-95 APPLIED AND TOOLED - REFER TO BW6

POLYGUARD BALCONY SHEET MEMBRANE SERIES WATERPROOFING OVER POLYGUARD 650 LT LIQUID ADHESIVE OR POLYGUARD CALIFORNIA SEALANT APPLIED AT A RATE OF 250 - 300 SF / GAL OR POLYGUARD 650 WB LIQUID ADHESIVE APPLIED AT A RATE OF 350 - 400 SF / GAL

POLYGUARD 105 FLASHING OVER POLYGUARD 650 LT LIQUID ADHESIVE OR POLYGUARD CALIFORNIA SEALANT APPLIED AT A RATE OF 250 - 300 SF / GAL OR POLYGUARD 650 WB LIQUID ADHESIVE APPLIED AT A RATE OF 350 - 400 SF / GAL - APPLIED BEFORE OR AFTER THE FIELD MEMBRANE DEPENDING ON CONSTRUCTION SEQUENCE

(MIN. SEAM OF POLYGUARD 105 FLASHING)

BW5

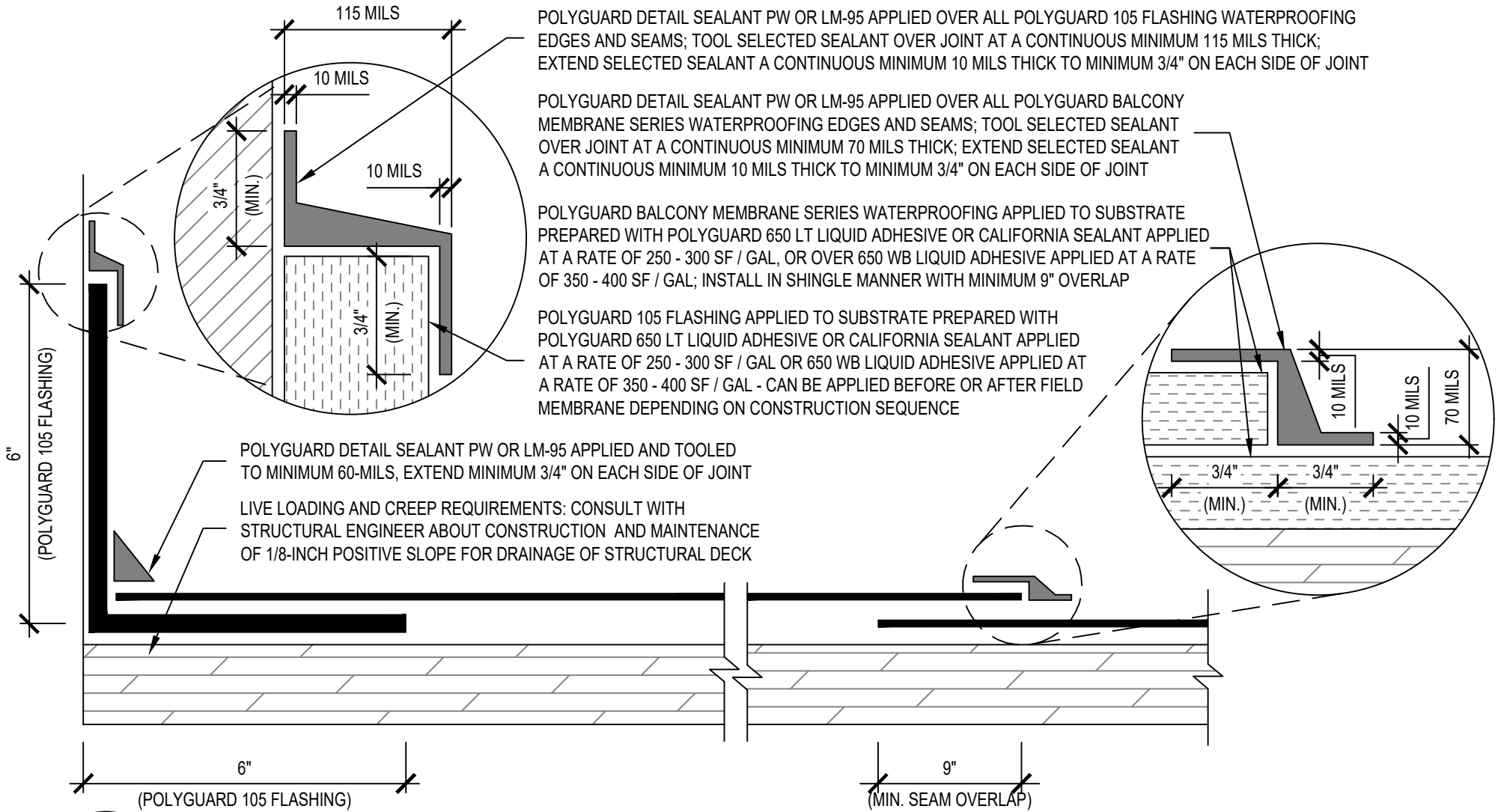
SECTION @ THRESHOLD DETAIL - ZERO SLOPE BALCONY DECK

Polyguard Products, Inc.
P.O. Box 755 - Ennis, TX 75120
Phone: 214-515-5000
Web Site - www.polyguard.com

SPECIAL NOTE: IF ADHESIVE IS REQUIRED FOR SEAMS OR ENDLAPS DO NOT USE POLYGUARD 650 WB LIQUID ADHESIVE

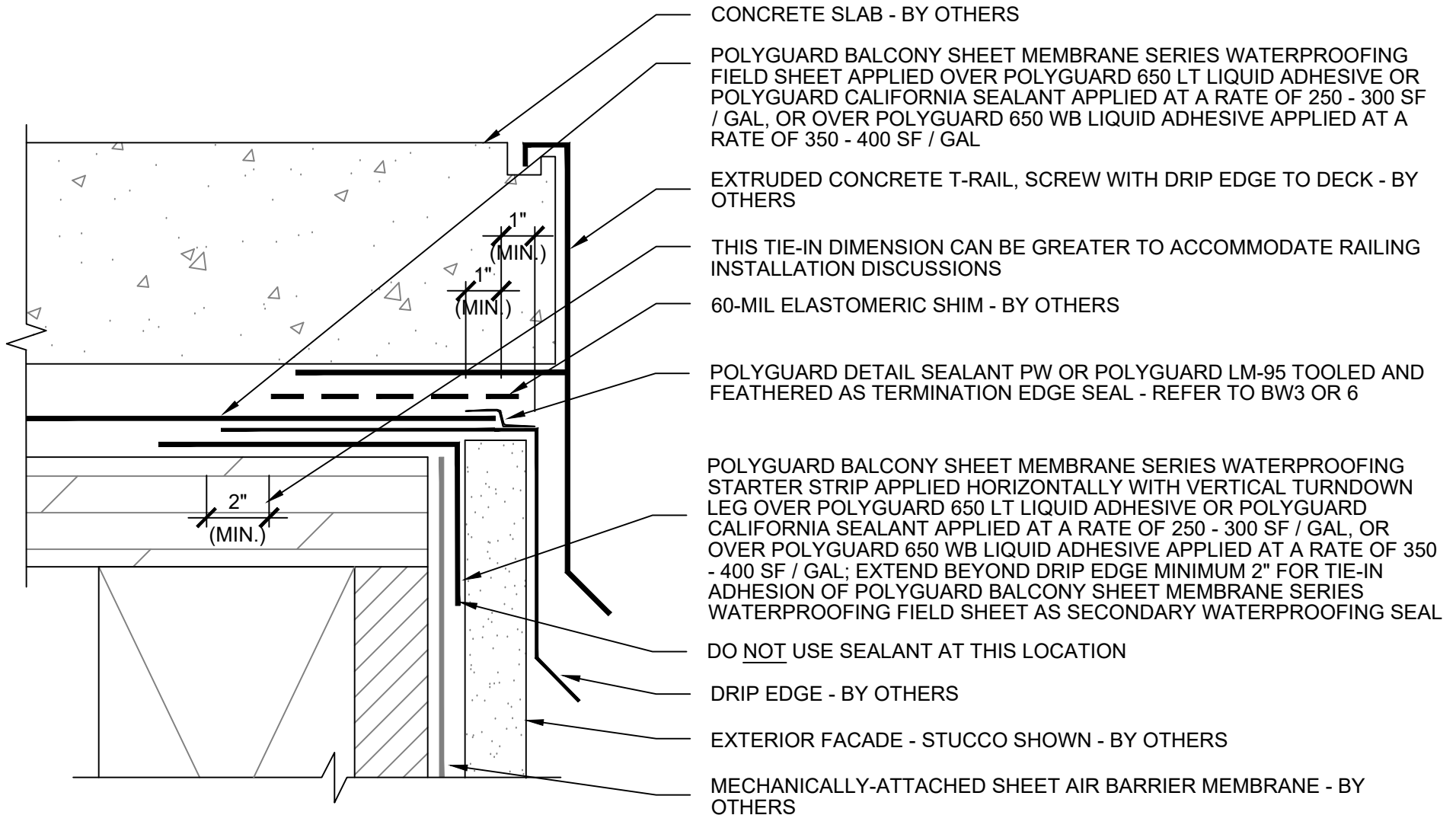
©POLYGUARD PRODUCTS, INC.
MATERIAL SEPARATED FOR CLARITY

<small>The information provided is based on data and knowledge considered to be true and accurate and is offered for the users' consideration, investigation and verification, but we do not warrant the results to be obtained. Please read all data sheets, statements, recommendations or suggestions in conjunction with our conditions of sale, which apply to all goods supplied by us.</small>	NOT TO SCALE
	EFFECTIVE DATE: 07/15/2024
	SUPERCEDES: 06/06/2023



BW6

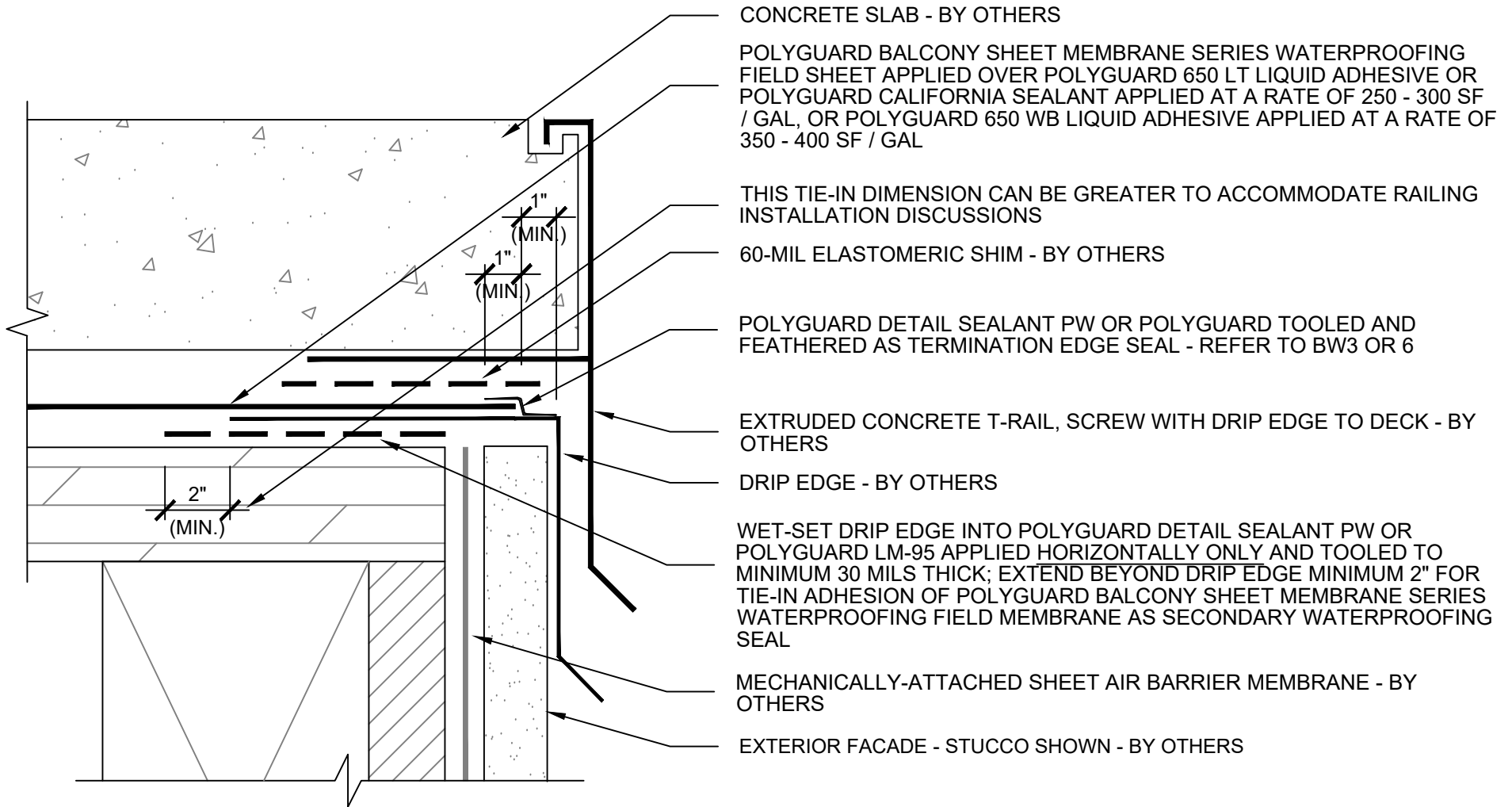
SECTION @ BALCONY MEMBRANE SERIES WATERPROOFING - OVERLAP / EDGE OVERVIEW (ZERO SLOPE)



BW7a SECTION @ EDGE DETAIL - (OPTION 1)

SPECIAL NOTE: IF ADHESIVE IS REQUIRED FOR SEAMS OR ENDLAPS DO NOT USE POLYGUARD 650 WB LIQUID ADHESIVE

<small>The information provided is based on data and knowledge considered to be true and accurate and is offered for the users' consideration, investigation and verification, but we do not warrant the results to be obtained. Please read all data sheets, statements, recommendations or suggestions in conjunction with our conditions of sale, which apply to all goods supplied by us.</small>	NOT TO SCALE
	EFFECTIVE DATE: 07/15/2024
	SUPERCEDES: 06/06/2023



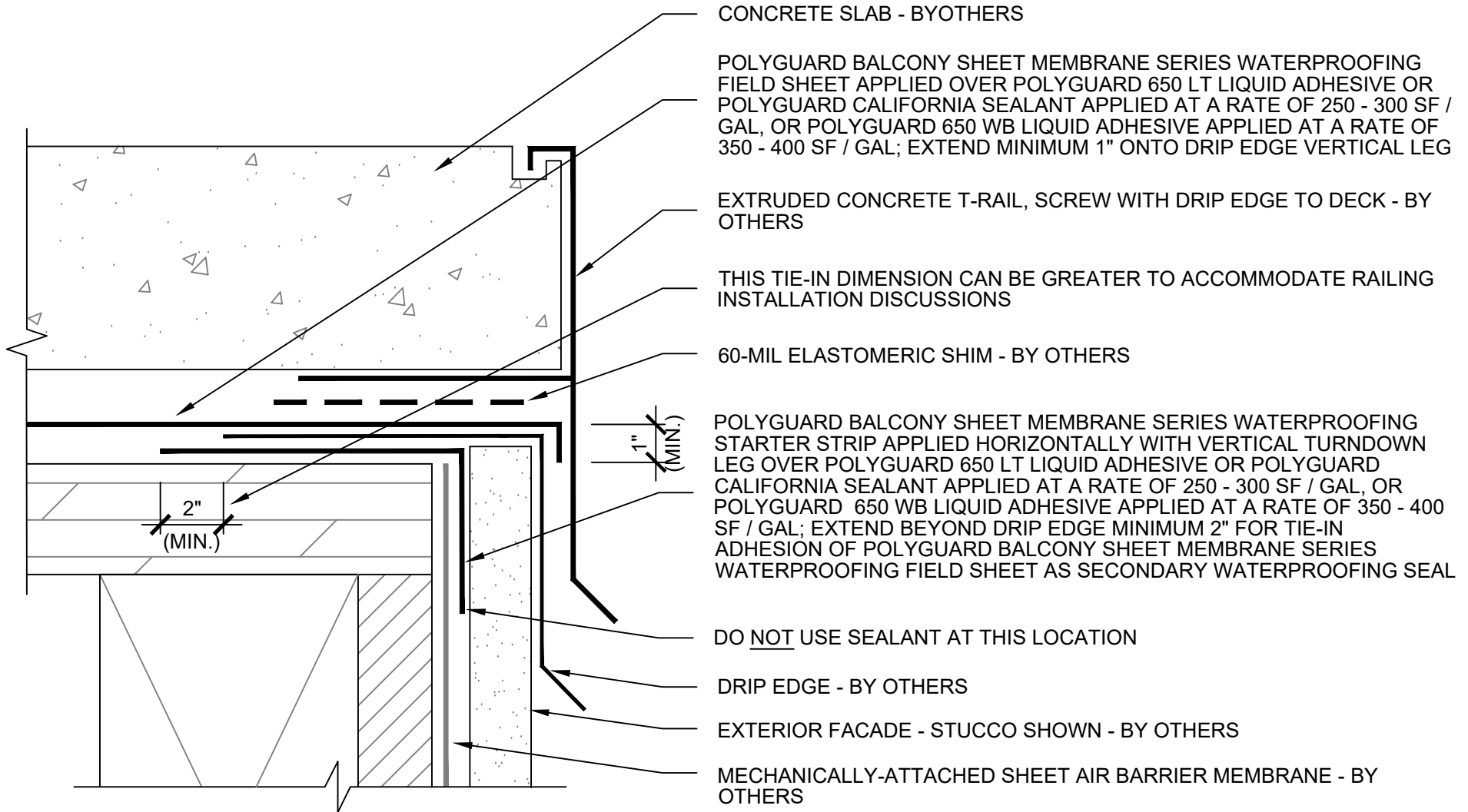
BW7b SECTION @ EDGE DETAIL - (OPTION 2)

Polyguard Products, Inc.
P.O. Box 755 - Ennis, TX 75120
Phone: 214-515-5000
Web Site - www.polyguard.com

SPECIAL NOTE: IF ADHESIVE IS REQUIRED FOR SEAMS OR ENDLAPS DO NOT USE POLYGUARD 650 WB LIQUID ADHESIVE

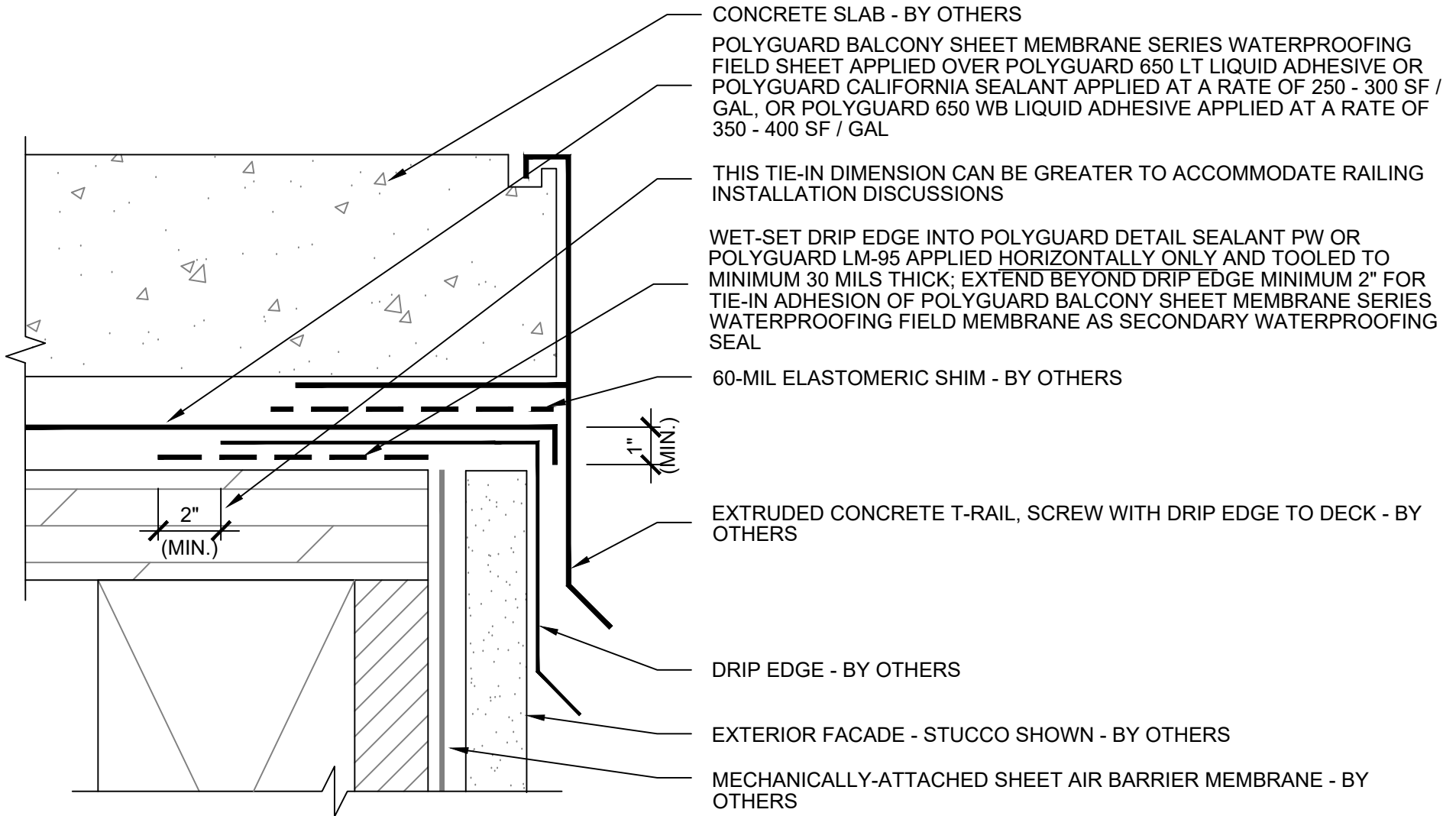
©POLYGUARD PRODUCTS, INC.
MATERIAL SEPARATED FOR CLARITY

<small>The information provided is based on data and knowledge considered to be true and accurate and is offered for the users' consideration, investigation and verification, but we do not warrant the results to be obtained. Please read all data sheets, statements, recommendations or suggestions in conjunction with our conditions of sale, which apply to all goods supplied by us.</small>	NOT TO SCALE
	EFFECTIVE DATE: 07/15/2024
	SUPERCEDES: 06/06/2023



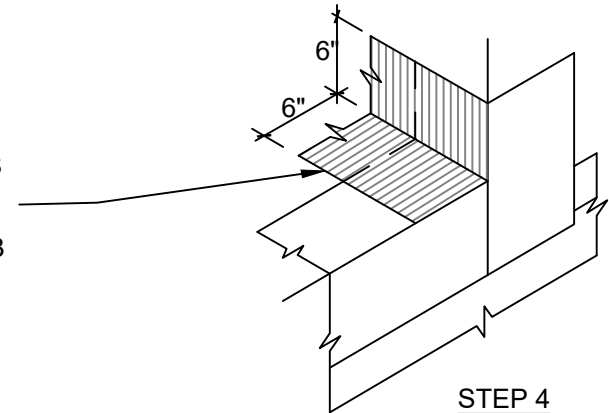
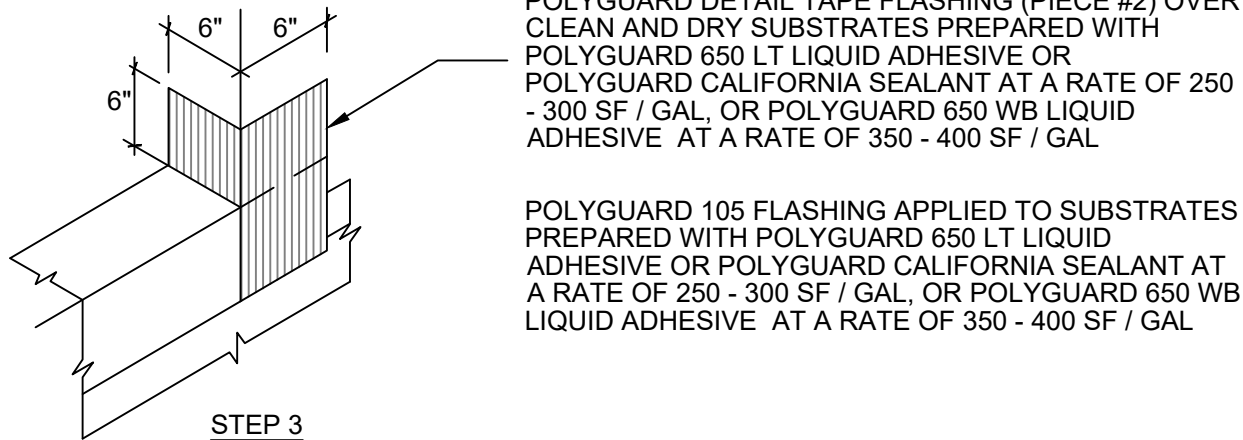
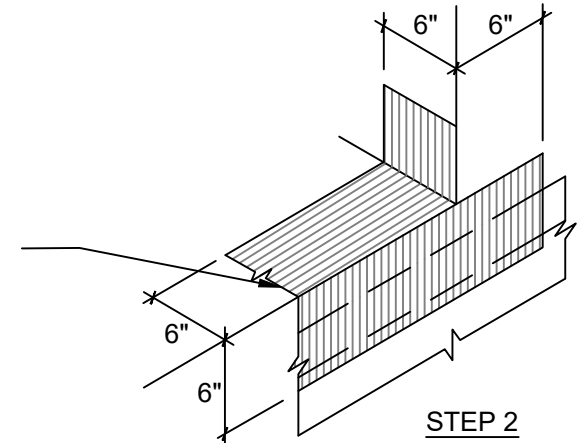
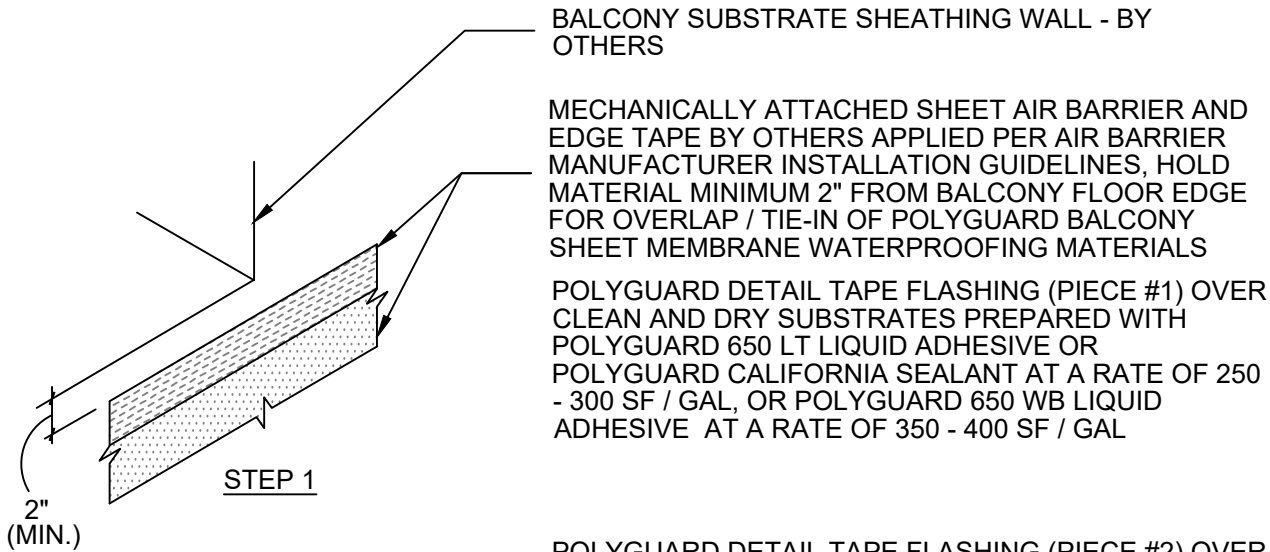
BW7c SECTION @ EDGE DETAIL - (OPTION 3)

<small>The information provided is based on data and knowledge considered to be true and accurate and is offered for the users' consideration, investigation and verification, but we do not warrant the results to be obtained. Please read all data sheets, statements, recommendations or suggestions in conjunction with our conditions of sale, which apply to all goods supplied by us.</small>	NOT TO SCALE
	EFFECTIVE DATE: 07/15/2024
	SUPERCEDES: 10/01/2022



BW7d SECTION @ EDGE DETAIL - (OPTION 4)

<small>The information provided is based on data and knowledge considered to be true and accurate and is offered for the users' consideration, investigation and verification, but we do not warrant the results to be obtained. Please read all data sheets, statements, recommendations or suggestions in conjunction with our conditions of sale, which apply to all goods supplied by us.</small>	NOT TO SCALE
	EFFECTIVE DATE: 07/15/2024
	SUPERCEDES: 10/01/2022



BW8

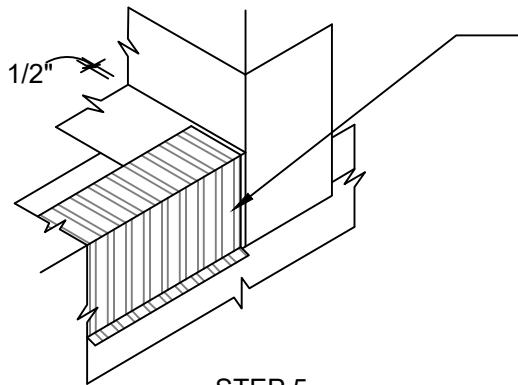
ISOMETRIC @ FIELD-FORMED CORNER FLASHING POLYGUARD STARTER STRIP STEPS 1 - 4

©POLYGUARD PRODUCTS, INC.
MATERIAL SEPARATED FOR CLARITY

Polyguard Products, Inc.
P.O. Box 755 - Ennis, TX 75120
Phone: 214-515-5000
Web Site - www.polyguard.com

SPECIAL NOTE: IF ADHESIVE IS REQUIRED FOR SEAMS OR ENDLAPS DO NOT USE POLYGUARD 650 WB LIQUID ADHESIVE

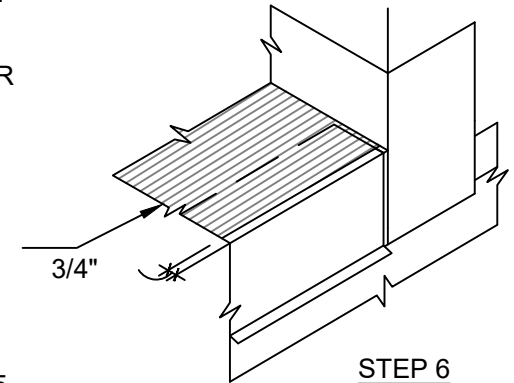
<small>The information provided is based on data and knowledge considered to be true and accurate and is offered for the users' consideration, investigation and verification, but we do not warrant the results to be obtained. Please read all data sheets, statements, recommendations or suggestions in conjunction with our conditions of sale, which apply to all goods supplied by us.</small>	NOT TO SCALE
	EFFECTIVE DATE: 07/15/2024
	SUPERCEDES: 10/01/2022



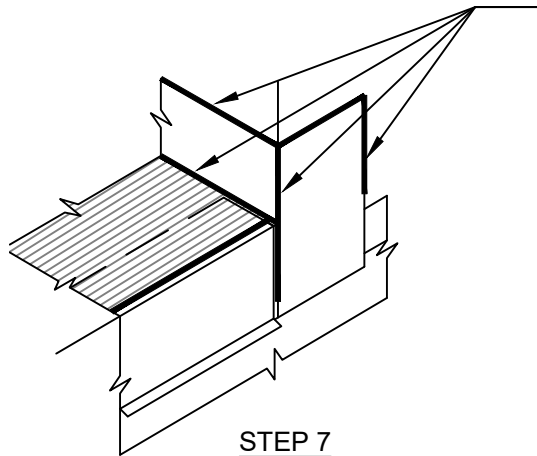
STEP 5

INSTALL DRIP EDGE ALONG BALCONY EDGE OVER MECHANICALLY ATTACHED SHEET AIR BARRIER FLASHING BY OTHERS ON HORIZONTAL LEG, HOLD DRIP EDGE 1/2" FROM CORNER AND ALLOW MINIMUM 2" EXPOSURE OF EXISTING MECHANICALLY ATTACHED SHEET FLASHING BY OTHERS FOR BALCONY FIELD MEMBRANE OVERLAP / TIE-IN IN NEXT STEP

POLYGUARD BALCONY SHEET MEMBRANE SERIES WATERPROOFING APPLIED TO SUBSTRATES PREPARED WITH POLYGUARD 650 LT LIQUID ADHESIVE OR POLYGUARD CALIFORNIA SEALANT AT A RATE OF 250 - 300 SF / GAL, OR POLYGUARD 650 WB LIQUID ADHESIVE AT A RATE OF 350 - 400 SF / GAL, HOLD MEMBRANE BACK 3/4" FROM BALCONY EDGE



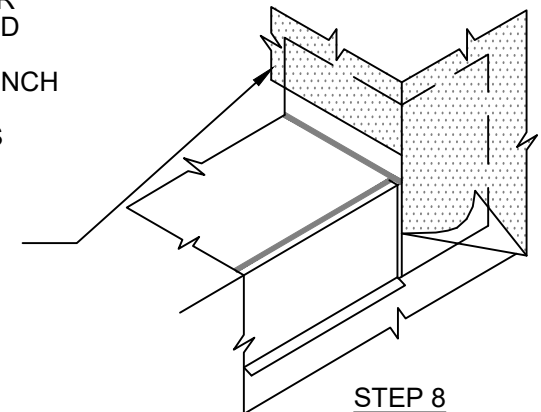
STEP 6



STEP 7

SEAL EXPOSED MEMBRANE EDGES OVER (1) POLYGUARD 105 FLASHING, (2) POLYGUARD DETAIL TAPE FLASHING, AND (3) POLYGUARD BALCONY SHEET MEMBRANE SERIES WATERPROOFING, WITH POLYGUARD DETAIL SEALANT PW OR POLYGUARD LM-95 TOoled TO MINIMUM 90 MILS THICK. HOLD BACK FROM ANY CONTACT WITH EXISTING MECHANICALLY ATTACHED SHEET AIR BARRIER BY OTHERS BY MINIMUM 1/2 INCH GAP, AND ALLOW POLYGUARD DETAIL SEALANT PW OR POLYGUARD LM-95 TO SET UP / CURE FOR MINIMUM 4 HOURS PRIOR TO STARTING NEXT STEP.

MECHANICALLY ATTACHED SHEET AIR BARRIER BY OTHERS OVER POLYGUARD BALCONY CORNER BOOT PER POLYGUARD SHEET AIR BARRIER MANUFACTURER INSTALLATION GUIDELINES

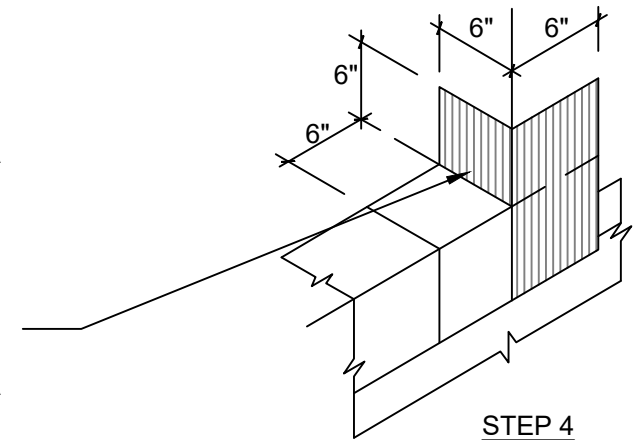
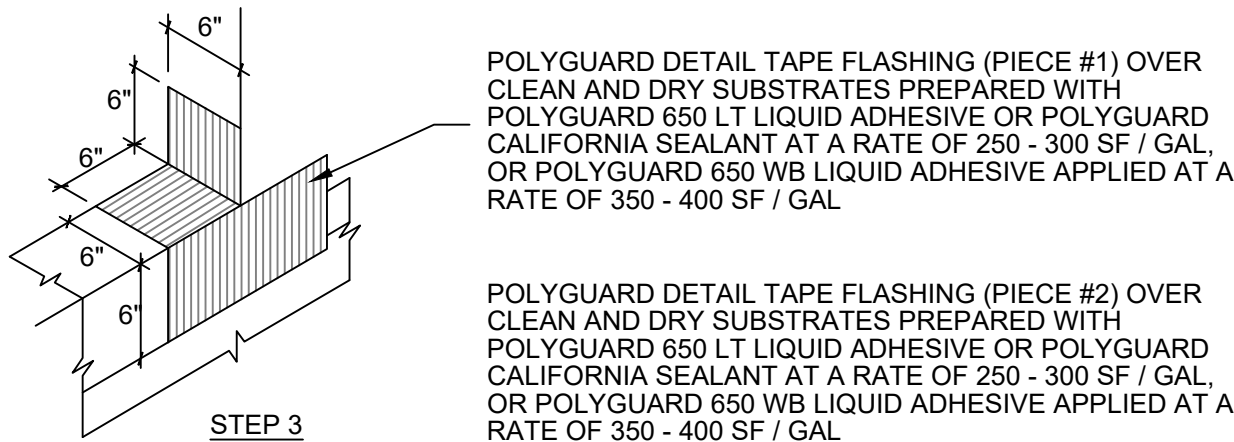
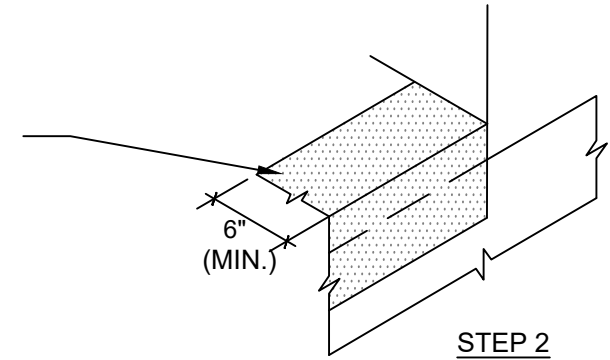
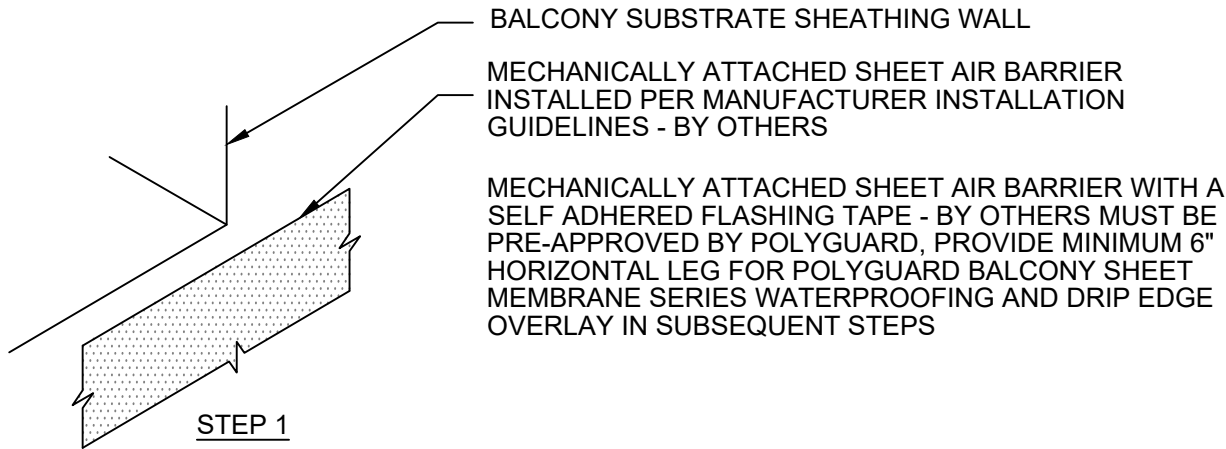


STEP 8

BW8

ISOMETRIC @ FIELD-FORMED CORNER FLASHING POLYGUARD STARTER STRIP STEPS 5 - 8

<small>The information provided is based on data and knowledge considered to be true and accurate and is offered for the users' consideration, investigation and verification, but we do not warrant the results to be obtained. Please read all data sheets, statements, recommendations or suggestions in conjunction with our conditions of sale, which apply to all goods supplied by us.</small>	NOT TO SCALE
	EFFECTIVE DATE: 07/15/2024
	SUPERCEDES: 10/01/2022



BW9

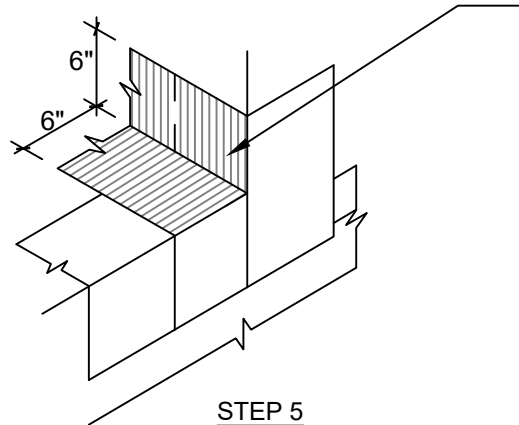
ISOMETRIC @ FIELD-FORMED CORNER FLASHING AIR BARRIER STARTER STRIP STEPS 1 - 4

Polyguard Products, Inc.
P.O. Box 755 - Ennis, TX 75120
Phone: 214-515-5000
Web Site - www.polyguard.com

**SPECIAL NOTE: IF ADHESIVE IS REQUIRED FOR
SEAMS OR ENDLAPS DO NOT USE POLYGUARD
650 WB LIQUID ADHESIVE**

©POLYGUARD PRODUCTS, INC.
MATERIAL SEPARATED FOR CLARITY

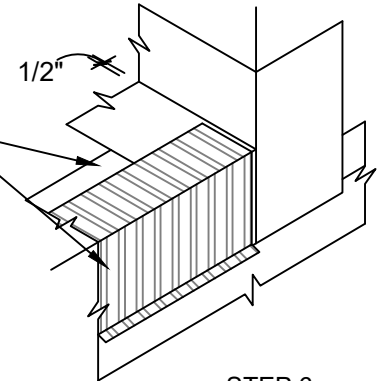
The information provided is based on data and knowledge considered to be true and accurate and is offered for the users' consideration, investigation and verification, but we do not warrant the results to be obtained. Please read all data sheets, statements, recommendations or suggestions in conjunction with our conditions of sale, which apply to all goods supplied by us.	NOT TO SCALE
	EFFECTIVE DATE: 07/15/2024
	SUPERCEDES: 10/01/2022



STEP 5

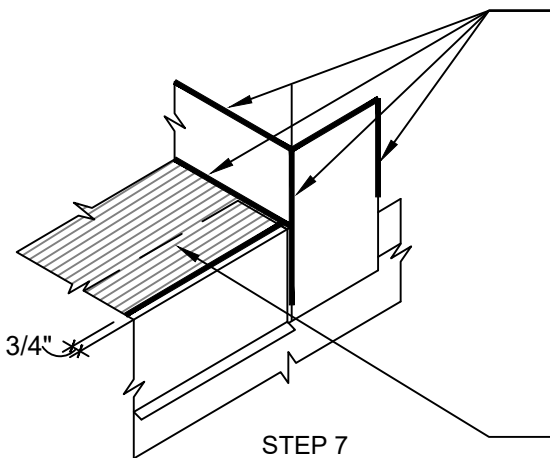
POLYGUARD 105 FLASHING APPLIED TO SUBSTRATES PREPARED WITH POLYGUARD 650 LT LIQUID ADHESIVE OR POLYGUARD CALIFORNIA SEALANT AT A RATE OF 250 - 300 SF / GAL, OR POLYGUARD 650 WB LIQUID ADHESIVE AT A RATE OF 350 - 400 SF / GAL

INSTALL DRIP EDGE ALONG BALCONY EDGE OVER MECHANICALLY ATTACHED SHEET AIR BARRIER FLASHING - BY OTHERS - HORIZONTAL LEG, HOLD DRIP EDGE 1/2" FROM CORNER AND ALLOW MINIMUM 2" EXPOSURE OF EXISTING MECHANICALLY ATTACHED SHEET FLASHING FOR POLYGUARD BALCONY SHEET MEMBRANE SERIES WATERPROOFING FIELD MEMBRANE OVERLAP / TIE-IN IN SUBSEQUENT STEP



STEP 6

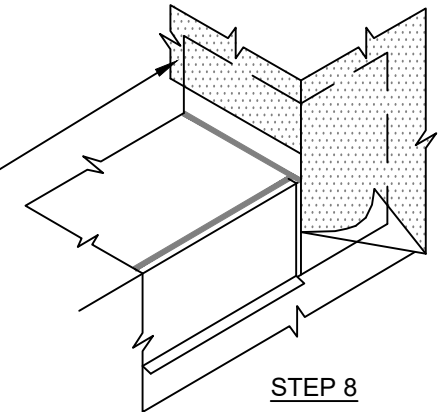
SEAL EXPOSED MEMBRANE EDGES OVER (1) POLYGUARD 105-12 FLASHING, (2) POLYGUARD DETAIL TAPE FLASHING, AND (3) POLYGUARD BALCONY SHEET MEMBRANE SERIES WATERPROOFING, WITH POLYGUARD DETAIL SEALANT PW OR POLYGUARD LM-95 APPLIED AND TOOLED TO MINIMUM 90 MILS THICK. HOLD BACK POLYGUARD DETAIL SEALANT PW OR POLYGUARD LM-95 FROM ANY CONTACT WITH EXISTING MECHANICALLY ATTACHED SHEET AIR BARRIER - BY OTHERS, BY MINIMUM 1/2 INCH GAP, AND ALLOW POLYGUARD DETAIL SEALANT PW OR POLYGUARD LM-95 TO SET UP / CURE FOR MINIMUM 4 HOURS PRIOR TO STARTING NEXT STEP.



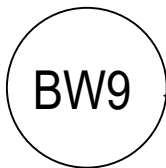
STEP 7

MECHANICALLY ATTACHED SHEET AIR BARRIER - BY OTHERS OVER POLYGUARD CORNER BOOT PER SHEET AIR BARRIER MANUFACTURER INSTALLATION GUIDELINES

POLYGUARD BALCONY SHEET MEMBRANE SERIES WATERPROOFING APPLIED TO SUBSTRATES PREPARED WITH POLYGUARD 650 LT LIQUID ADHESIVE OR POLYGUARD CALIFORNIA SEALANT APPLIED AT A RATE OF 250 - 300 SF / GAL, OR POLYGUARD 650 WB LIQUID ADHESIVE APPLIED AT A RATE OF 350 - 400 SF / GAL, HOLD MEMBRANE BACK 3/4" FROM BALCONY EDGE

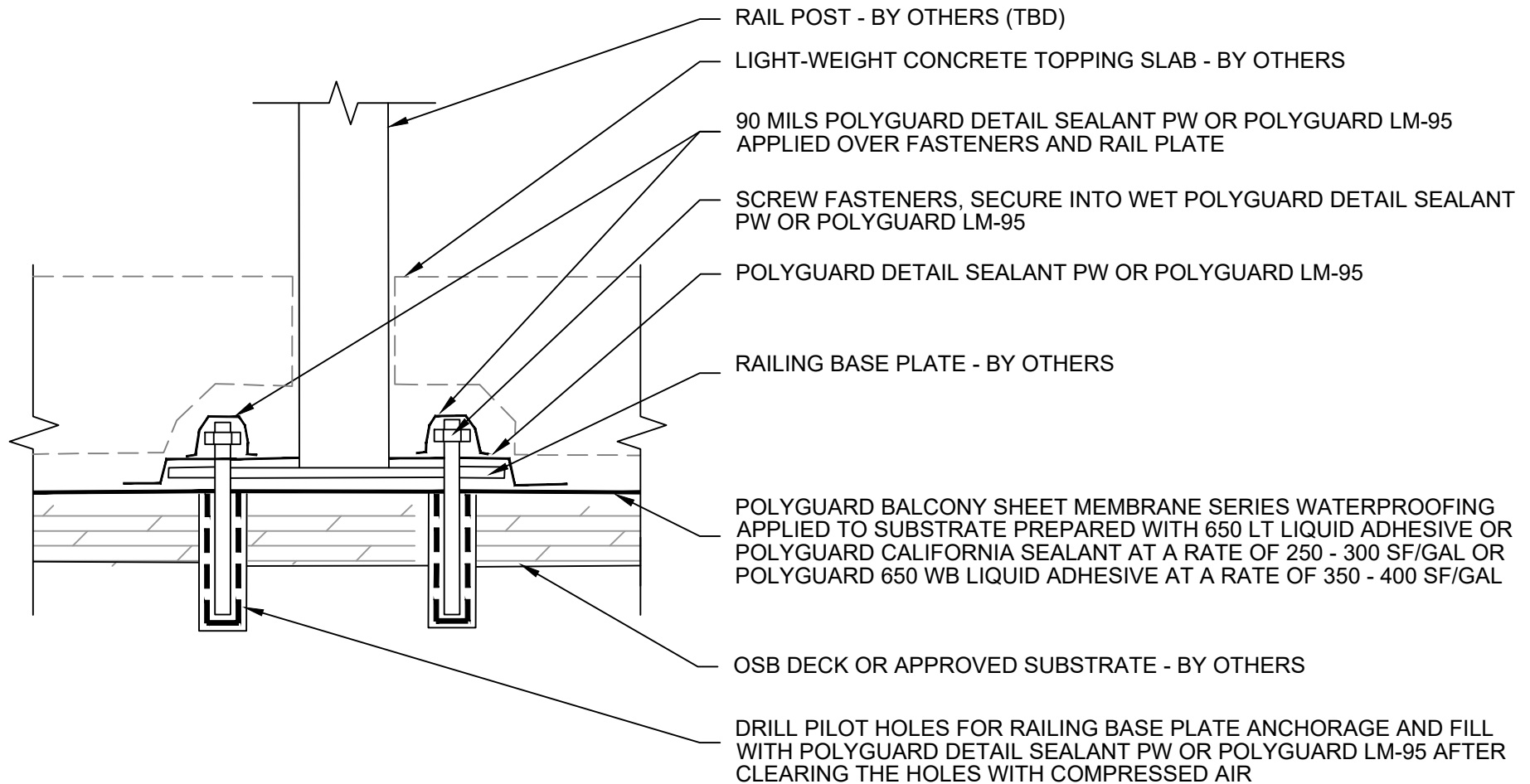


STEP 8



ISOMETRIC @ FIELD-FORMED CORNER FLASHING AIR BARRIER STARTER STRIP STEPS 5 - 8

The information provided is based on data and knowledge considered to be true and accurate and is offered for the users' consideration, investigation and verification, but we do not warrant the results to be obtained. Please read all data sheets, statements, recommendations or suggestions in conjunction with our conditions of sale, which apply to all goods supplied by us.	NOT TO SCALE
	EFFECTIVE DATE: 07/15/2024
	SUPERCEDES: 10/01/2022



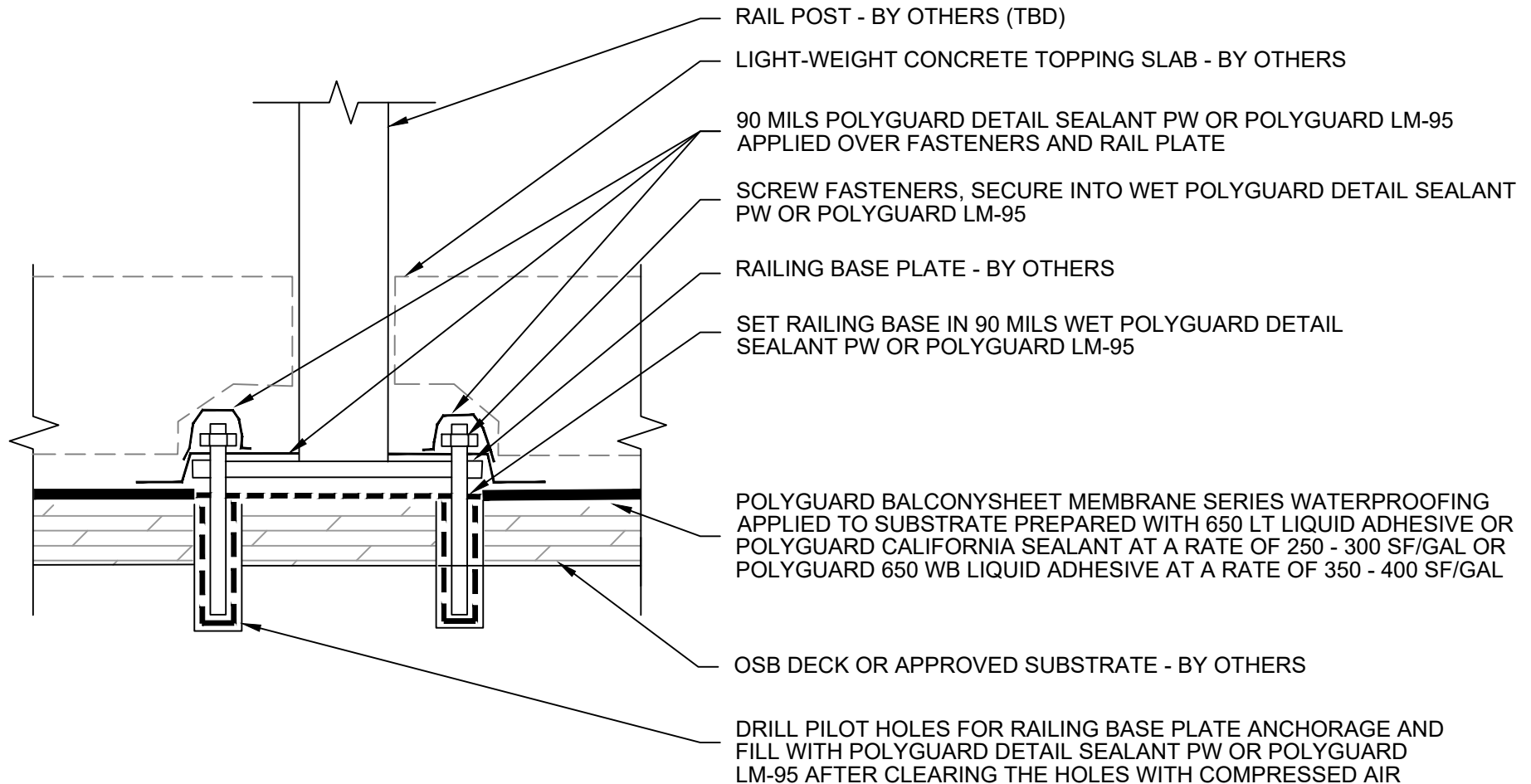
BW10 SECTION @ GUARDRAIL DETAIL (OPTION 1)

Polyguard Products, Inc.
P.O. Box 755 - Ennis, TX 75120
Phone: 214-515-5000
Web Site - www.polyguard.com

SPECIAL NOTE: IF ADHESIVE IS REQUIRED FOR SEAMS OR ENDLAPS DO NOT USE POLYGUARD 650 WB LIQUID ADHESIVE

©POLYGUARD PRODUCTS, INC.
MATERIAL SEPARATED FOR CLARITY

<small>The information provided is based on data and knowledge considered to be true and accurate and is offered for the users' consideration, investigation and verification, but we do not warrant the results to be obtained. Please read all data sheets, statements, recommendations or suggestions in conjunction with our conditions of sale, which apply to all goods supplied by us.</small>	NOT TO SCALE
	EFFECTIVE DATE: 07/15/2024
	SUPERCEDES: 06/06/2023



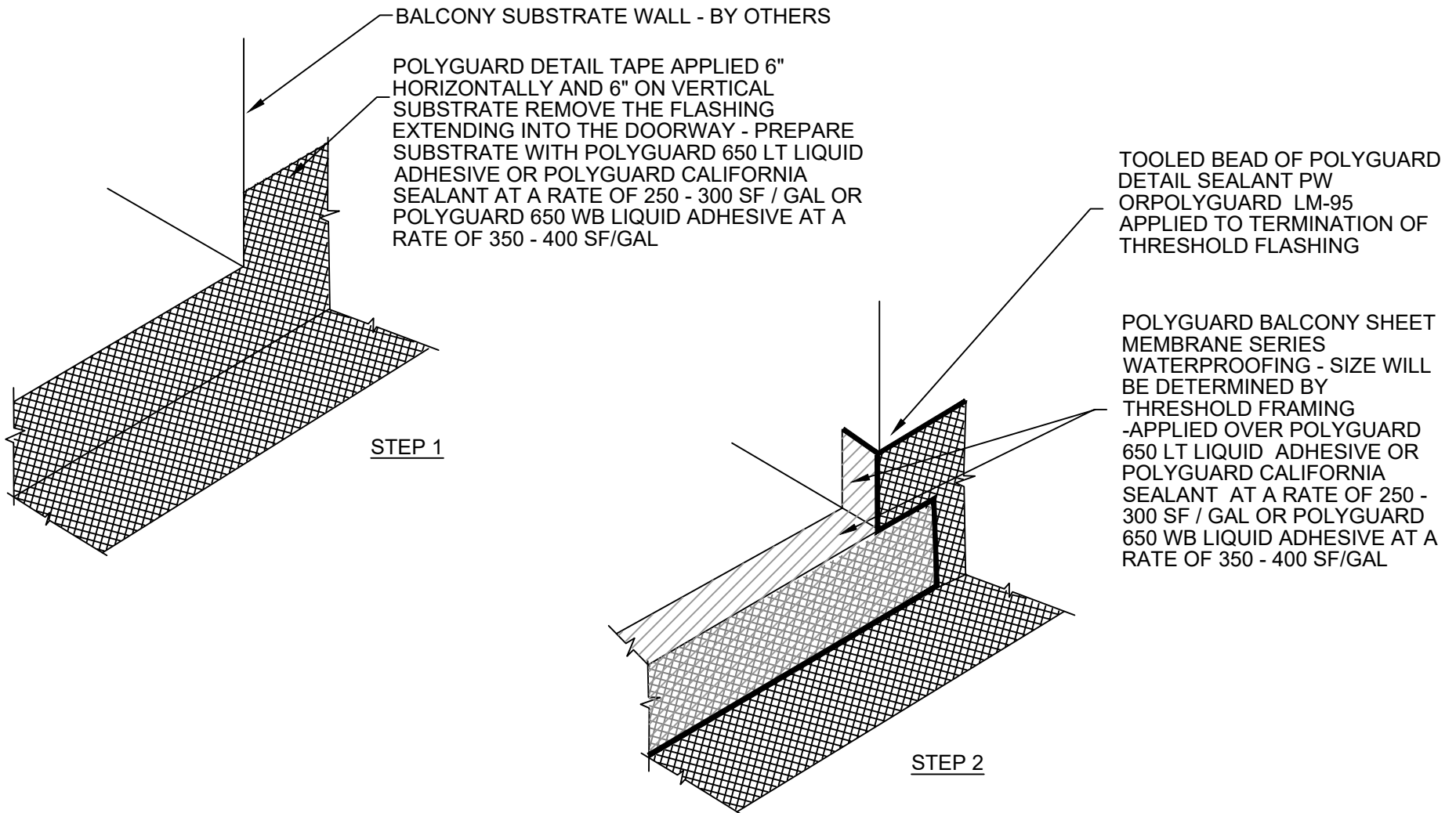
BW11 SECTION @ GUARDRAIL DETAIL (OPTION 2)

Polyguard Products, Inc.
P.O. Box 755 - Ennis, TX 75120
Phone: 214-515-5000
Web Site - www.polyguard.com

SPECIAL NOTE: IF ADHESIVE IS REQUIRED FOR SEAMS OR ENDLAPS DO NOT USE POLYGUARD 650 WB LIQUID ADHESIVE

©POLYGUARD PRODUCTS, INC.
MATERIAL SEPARATED FOR CLARITY

<small>The information provided is based on data and knowledge considered to be true and accurate and is offered for the users' consideration, investigation and verification, but we do not warrant the results to be obtained. Please read all data sheets, statements, recommendations or suggestions in conjunction with our conditions of sale, which apply to all goods supplied by us.</small>	NOT TO SCALE
	EFFECTIVE DATE: 07/15/2024
	SUPERCEDES: 06/06/2023



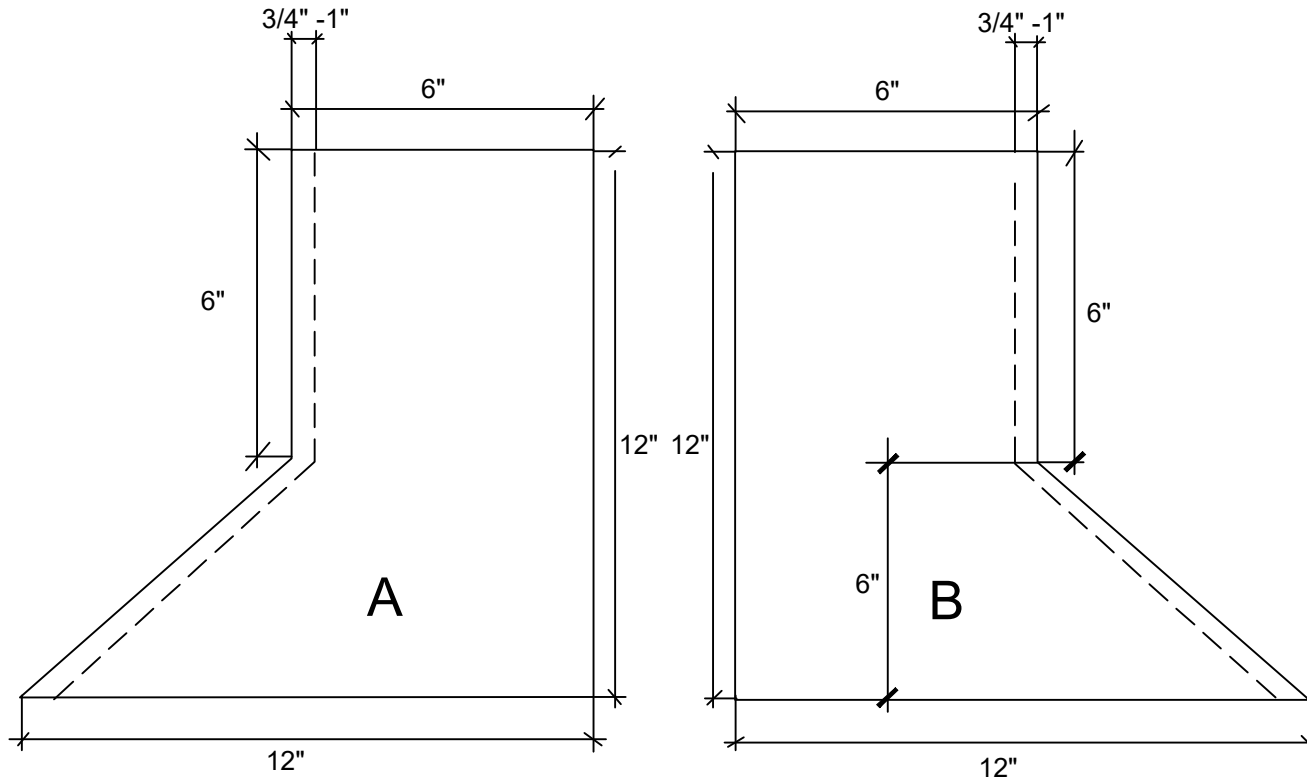
BW12 ISOMETRIC @ THRESHOLD WATERPROOFING

Polyguard Products, Inc.
P.O. Box 755 - Ennis, TX 75120
Phone: 214-515-5000
Web Site - www.polyguard.com

SPECIAL NOTE: IF ADHESIVE IS REQUIRED FOR SEAMS OR ENDLAPS DO NOT USE POLYGUARD 650 WB LIQUID ADHESIVE

©POLYGUARD PRODUCTS, INC.
MATERIAL SEPARATED FOR CLARITY

<small>The information provided is based on data and knowledge considered to be true and accurate and is offered for the users' consideration, investigation and verification, but we do not warrant the results to be obtained. Please read all data sheets, statements, recommendations or suggestions in conjunction with our conditions of sale, which apply to all goods supplied by us.</small>	NOT TO SCALE
	EFFECTIVE DATE: 07/15/2024
	SUPERCEDES: 10/01/2022



1. Cut 2 - 12" x 12" pieces of Polyguard 650 Membrane or Polyguard Balconyguard Membrane
 - A. A & B piece cut to dimensions above and mirror image
2. Score 3/4" - 1" release film at angled edge - remove the film
3. Adhere piece A and B at exposed 3/4" - 1" compound - roll tight

BW13

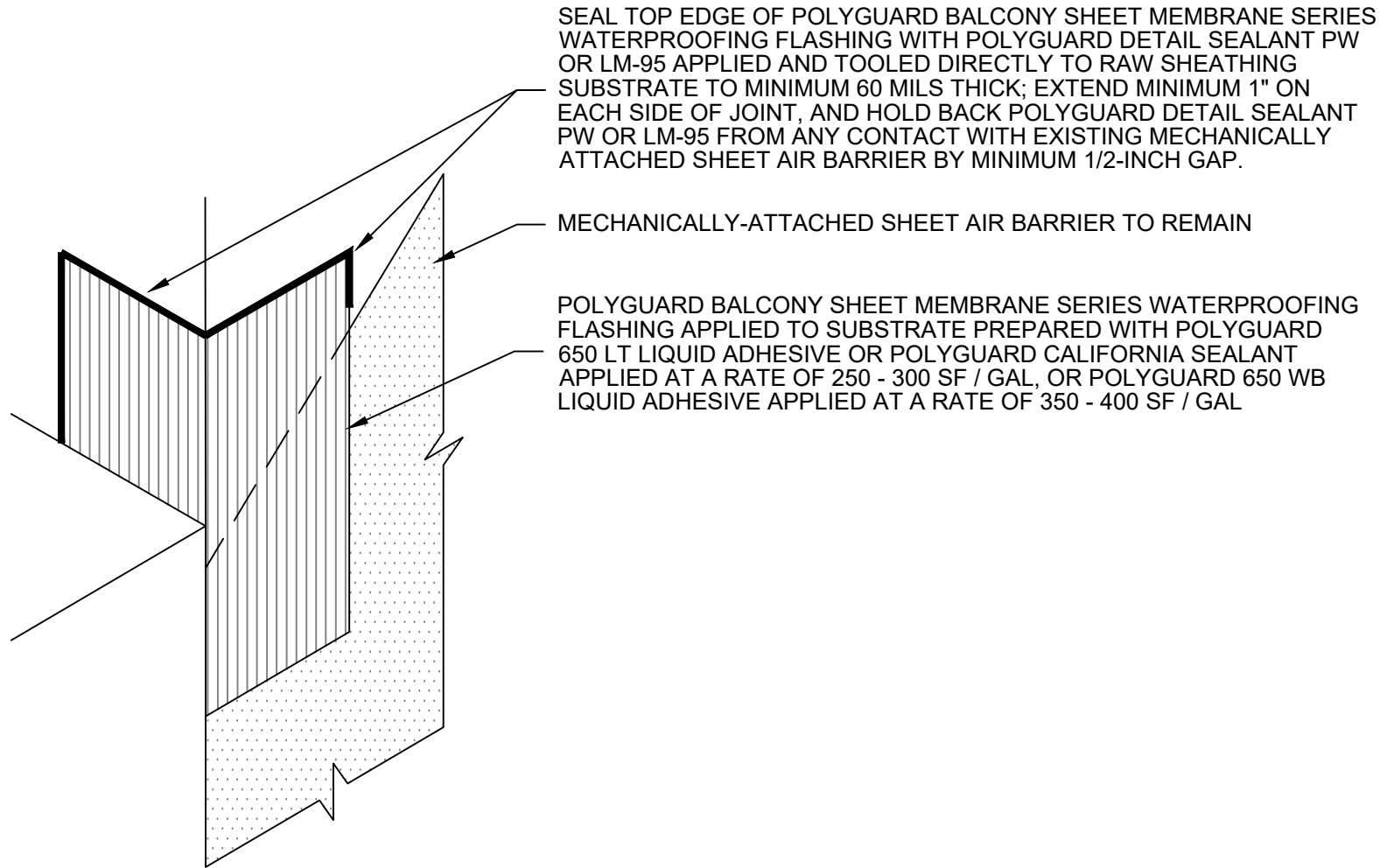
ISOMETRIC @ FIELD MADE OUTSIDE CORNER BOOT DETAIL

Polyguard Products, Inc.
P.O. Box 755 - Ennis, TX 75120
Phone: 214-515-5000
Web Site - www.polyguard.com

SPECIAL NOTE: IF ADHESIVE IS REQUIRED FOR SEAMS OR ENDLAPS DO NOT USE POLYGUARD 650 WB LIQUID ADHESIVE

©POLYGUARD PRODUCTS, INC.
MATERIAL SEPARATED FOR CLARITY

<small>The information provided is based on data and knowledge considered to be true and accurate and is offered for the users' consideration, investigation and verification, but we do not warrant the results to be obtained. Please read all data sheets, statements, recommendations or suggestions in conjunction with our conditions of sale, which apply to all goods supplied by us.</small>	NOT TO SCALE
	EFFECTIVE DATE: 07/15/2024
	SUPERCEDES: 10/01/2022



SEAL TOP EDGE OF POLYGUARD BALCONY SHEET MEMBRANE SERIES WATERPROOFING FLASHING WITH POLYGUARD DETAIL SEALANT PW OR LM-95 APPLIED AND TOOLED DIRECTLY TO RAW SHEATHING SUBSTRATE TO MINIMUM 60 MILS THICK; EXTEND MINIMUM 1" ON EACH SIDE OF JOINT, AND HOLD BACK POLYGUARD DETAIL SEALANT PW OR LM-95 FROM ANY CONTACT WITH EXISTING MECHANICALLY ATTACHED SHEET AIR BARRIER BY MINIMUM 1/2-INCH GAP.

MECHANICALLY-ATTACHED SHEET AIR BARRIER TO REMAIN

POLYGUARD BALCONY SHEET MEMBRANE SERIES WATERPROOFING FLASHING APPLIED TO SUBSTRATE PREPARED WITH POLYGUARD 650 LT LIQUID ADHESIVE OR POLYGUARD CALIFORNIA SEALANT APPLIED AT A RATE OF 250 - 300 SF / GAL, OR POLYGUARD 650 WB LIQUID ADHESIVE APPLIED AT A RATE OF 350 - 400 SF / GAL

BW14

**ISOMETRIC @ BALCONY SHEET MEMBRANE SERIES WATERPROOFING -
OUTSIDE CORNER FLASHING OVER MECHANICALLY-ATTACHED AIR BARRIER**

Polyguard Products, Inc.
P.O. Box 755 - Ennis, TX 75120
Phone: 214-515-5000
Web Site - www.polyguard.com

SPECIAL NOTE: IF ADHESIVE IS REQUIRED FOR SEAMS OR ENDLAPS DO NOT USE POLYGUARD 650 WB LIQUID ADHESIVE

©POLYGUARD PRODUCTS, INC.
MATERIAL SEPARATED FOR CLARITY

<small>The information provided is based on data and knowledge considered to be true and accurate and is offered for the users' consideration, investigation and verification, but we do not warrant the results to be obtained. Please read all data sheets, statements, recommendations or suggestions in conjunction with our conditions of sale, which apply to all goods supplied by us.</small>	NOT TO SCALE
	EFFECTIVE DATE: 07/15/2024
	SUPERCEDES: 02/09/2023

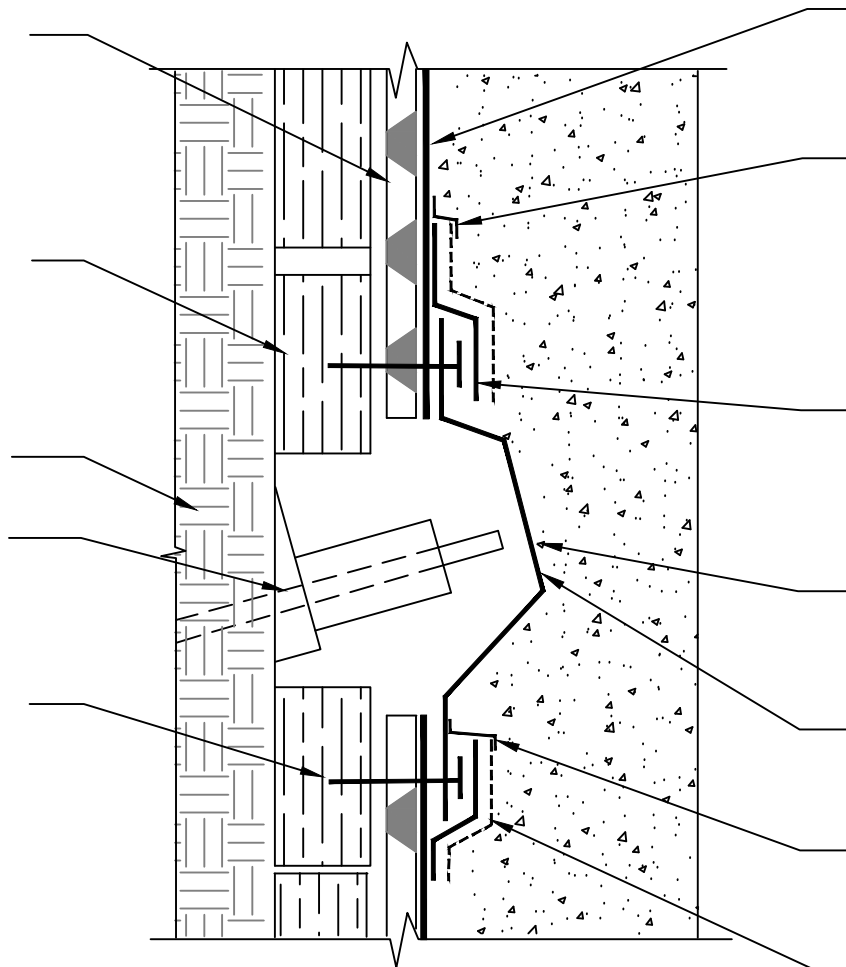
POLYGUARD POLYFLOW 15 / 15 P
SHEET MOLDED DRAIN FABRIC FACING
RETENTION SYSTEM

RETENTION SYSTEM - WOOD LAGGING
SHOWN - BY OTHERS

SOIL - BY OTHERS

TIE-BACK SYSTEM - BY OTHERS

FASTEN POLYGUARD POLYCOVER TO
RETENTION SYSTEM AT EACH FLANGE
CORNER PRE DRILL FASTENER HOLES
IN COLD WEATHER



POLYGUARD BLINDSIDE MEMBRANE
FABRIC FACING CONCRETE POUR
OR SHOTCRETE WHEN NOT IN
WATER TABLE - CONSULT
POLYGUARD IF IN THE WATER
TABLE

BEAD OF POLYGUARD DETAIL
SEALANT PW APPLIED TO TOP
TERMINATION OF POLYGUARD
FABRIC TAPE

POLYGUARD LM-95 APPLIED 6" ONTO
UNPRIMED POLYGUARD
POLYCOVER AND 6" ON THE FABRIC
OF THE POLYGUARD BLINDSIDE
MEMBRANE PREPARED WITH
POLYGUARD 650 LT LIQUID
ADHESIVE OR POLYGUARD
CALIFORNIA SEALANT AT A RATE OF
50 - 75 SF/GAL

POLYGUARD PREFORMED
POLYCOVER - ONLY USE THIS
DETAIL IF USING PREFORMED
POLYGUARD POLYCOVER

IF TIE-BACK COVER IS FIELD MADE
CONTACT POLYGUARD FOR
RECOMMENDATIONS

BEAD OF POLYGUARD DETAIL
SEALANT PW APPLIED TO TOP
TERMINATION OF POLYGUARD
FABRIC TAPE

POLYGUARD FABRIC TAPE APPLIED
OVER CURED LM-95

BS15

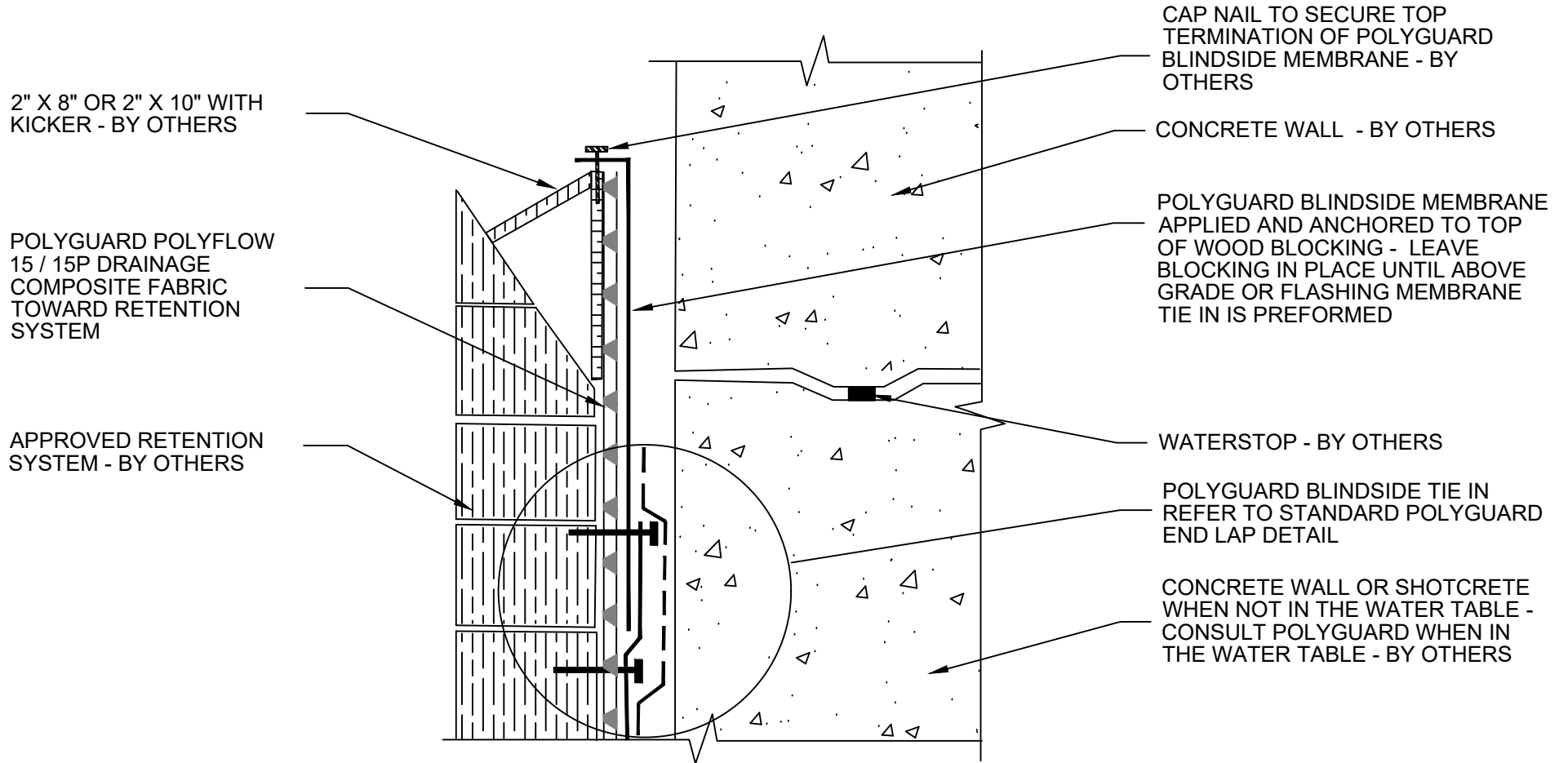
SECTION @ POLYCOVER OVER THE TIE BACK / SOIL NAIL ASSEMBLY

©POLYGUARD PRODUCTS, INC.
MATERIAL SEPARATED FOR CLARITY

Polyguard Products, Inc.
P.O. Box 755 - Ennis, TX 75120
Phone: 214-515-5000
Web Site - www.polyguard.com

<small>The information provided is based on data and knowledge considered to be true and accurate and is offered for the users' consideration, investigation and verification, but we do not warrant the results to be obtained. Please read all data sheets, statements, recommendations or suggestions in conjunction with our conditions of sale, which apply to all goods supplied by us.</small>	NOT TO SCALE
	EFFECTIVE DATE: 02/15/2023
	SUPERCEDES: 10/02/2022

NOTE: CRITICAL DETAIL - WARRANTY INVOLVED



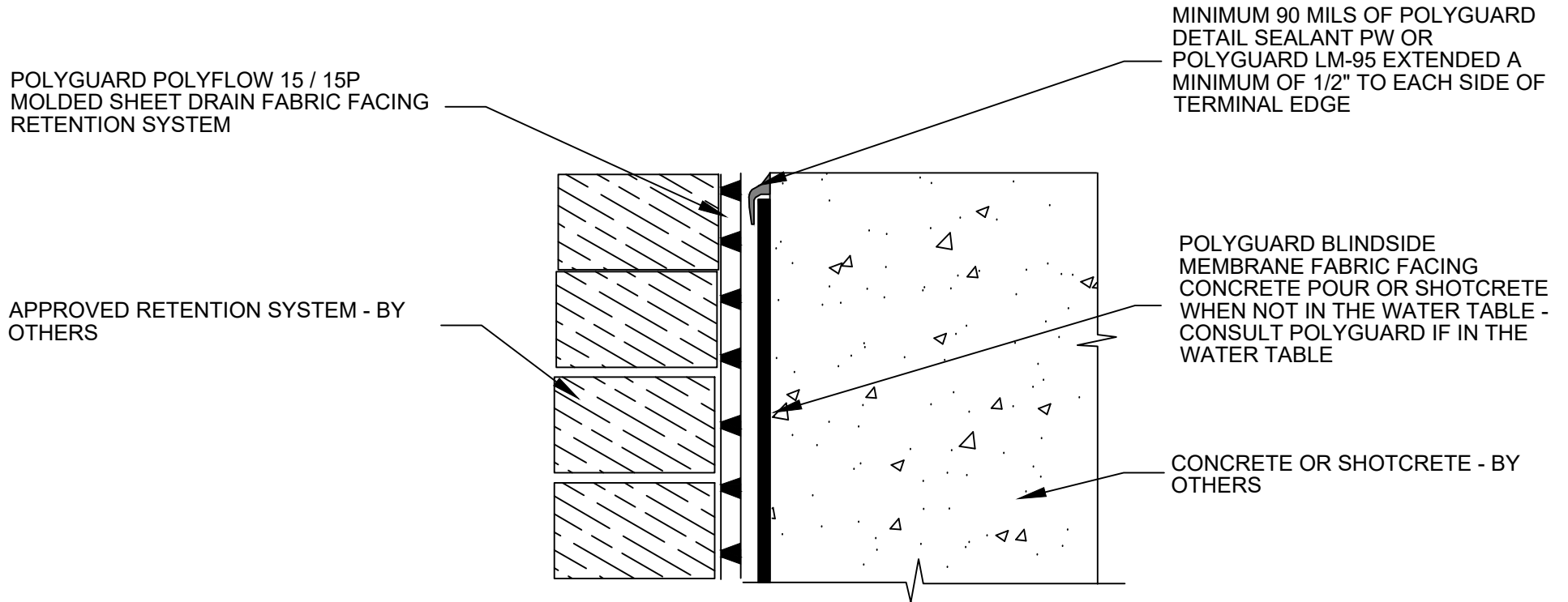
BS16

SECTION @ TOP OF WALL TERMINATION MECHANICALLY FASTENED

Polyguard Products, Inc.
P.O. Box 755 - Ennis, TX 75120
Phone: 214-515-5000
Web Site - www.polyguard.com

©POLYGUARD PRODUCTS, INC.
MATERIAL SEPARATED FOR CLARITY

<small>The information provided is based on data and knowledge considered to be true and accurate and is offered for the users' consideration, investigation and verification, but we do not warrant the results to be obtained. Please read all data sheets, statements, recommendations or suggestions in conjunction with our conditions of sale, which apply to all goods supplied by us.</small>	NOT TO SCALE
	EFFECTIVE DATE: 07/15/2024
	SUPERCEDES: 10/01/2022



BS17

SECTION @ TOP OF WALL EMBEDDED TERMINATION

Polyguard Products, Inc.
P.O. Box 755 - Ennis, TX 75120
Phone: 214-515-5000
Web Site - www.polyguard.com

©POLYGUARD PRODUCTS, INC.
MATERIAL SEPARATED FOR CLARITY

<small>The information provided is based on data and knowledge considered to be true and accurate and is offered for the users' consideration, investigation and verification, but we do not warrant the results to be obtained. Please read all data sheets, statements, recommendations or suggestions in conjunction with our conditions of sale, which apply to all goods supplied by us.</small>	NOT TO SCALE
	EFFECTIVE DATE: 07/15/2024
	SUPERCEDES: 10/01/2022