

FIELD SHEET OF POLYGUARD PRM MEMBRANE

REPAIR DAMAGED AREAS, FISHMOUTH AND BUBBLES LARGER THAN 4" IN DIAMETER. REMOVE ANY MATERIAL THAT DOES NOT ALLOW PATCH TO BE FULLY ADHERED OR LAY FLAT

APPLY A PATCH OF POLYGUARD PRM MEMBRANE 6" LARGER THAN DAMAGE IN ALL DIRECTIONS TO EXISTING MEMBRANE PREPARED WITH POLYGUARD 650 LT LIQUID ADHESIVE OR POLYGUARD CALIFORNIA SEALANT APPLIED AT A RATE OF 250 - 300 SF/GAL OR POLYGUARD 650 WB LIQUID ADHESIVE AT A RATE OF 350 - 400 SF/GAL

POLYGUARD DETAIL SEALANT PW OR POLYGUARD LM-95 LIQUID MEMBRANE APPLIED TO PATCH PERIMETER EDGES TO 30 MIL THICKNESS AND 1" TO EACH SIDE OF THE EDGE

PRM1

OVERVIEW @ SELF-ADHERED REPAIR PATCH

SPECIAL NOTE: IF ADHESIVE IS REQUIRED FOR SEAMS OR ENDLAPS DO NOT USE POLYGUARD 650 WB LIQUID ADHESIVE

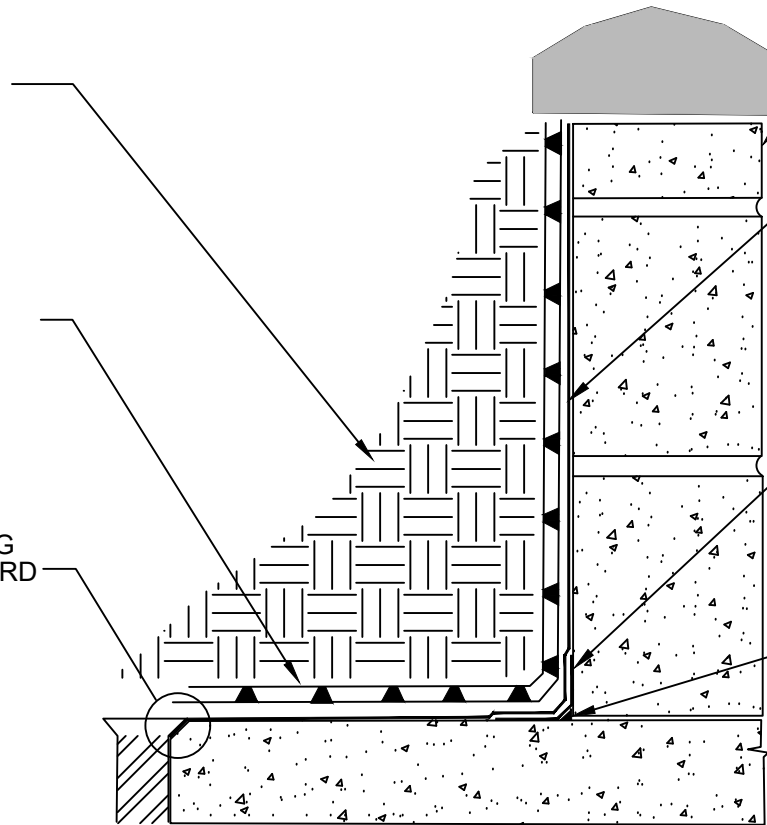
<small>The information provided is based on data and knowledge considered to be true and accurate and is offered for the users' consideration, investigation and verification, but we do not warrant the results to be obtained. Please read all data sheets, statements, recommendations or suggestions in conjunction with our conditions of sale, which apply to all goods supplied by us.</small>	NOT TO SCALE
	EFFECTIVE DATE: 10/01/2022
	SUPERCEDES: 05/05/2022

BUILD CMU WALLS WITH JOINTS ON THE WATERPROOFING SIDE STRUCK FLUSH WITH THE FACE OF THE CMU. EITHER PARGE COAT OR PREPARE THE SURFACE WITH A 60 MIL APPLICATION OF POLYGUARD COMMERCIAL STRETCH

SOIL - BY OTHERS

POLYGUARD POLYFLOW 18 SHEET MOLDED DRAIN

FOR PROPER WATERPROOFING OF DRAIN REFER TO POLYGUARD DUAL LEVEL DRAIN DETAIL



CONCRETE OR CMU PLANTER - BY OTHERS

POLYGUARD PRM MEMBRANE APPLIED TO SUBSTRATE PREPARED WITH POLYGUARD 650 LT LIQUID ADHESIVE OR POLYGUARD CALIFORNIA SEALANT AT A RATE OF 250 - 300 SF/GALLON OR POLYGUARD 650 WB LIQUID ADHESIVE AT A RATE OF 350 - 400 SF/GAL

12" STRIP OF POLYGUARD DETAIL TAPE APPLIED TO SUBSTRATE PREPARED WITH POLYGUARD 650 LT LIQUID ADHESIVE OR POLYGUARD CALIFORNIA SEALANT AT A RATE OF 250 - 300 SF/GAL OR POLYGUARD 650 WB LIQUID ADHESIVE AT A RATE OF 350 - 400 SF/GAL

3/4" FILLET OF POLYGUARD DETAIL SEALANT PW OR POLYGUARD LM-95 APPLIED TO RAW CONCRETE OR CMU TO ALL INSIDE CORNERS VERTICALLY AND HORIZONTALLY - ALLOW POLYGUARD DETAIL SEALANT PW TO CURE FOR 2 HOURS PRIOR TO SHEET APPLICATION

PRM2

SECTION@ POURED CONCRETE OR CMU PLANTER WATERPROOFING

Polyguard Products, Inc.
P.O. Box 755 - Ennis, TX 75120
Phone: 214-515-5000
Web Site - www.polyguard.com

SPECIAL NOTE: IF ADHESIVE IS REQUIRED FOR SEAMS OR ENDLAPS DO NOT USE POLYGUARD 650 WB LIQUID ADHESIVE

©POLYGUARD PRODUCTS, INC.
MATERIAL SEPARATED FOR CLARITY

<p>The information provided is based on data and knowledge considered to be true and accurate and is offered for the users' consideration, investigation and verification, but we do not warrant the results to be obtained. Please read all data sheets, statements, recommendations or suggestions in conjunction with our conditions of sale, which apply to all goods supplied by us.</p>	NOT TO SCALE
	EFFECTIVE DATE: 10/01/2022
	SUPERCEDES: 05/05/2022

POLYGUARD DETAIL SEALANT PW OR POLYGUARD LM-95 APPLIED TO THE TOP EDGE OF TERMINATION BAR AND TO COVER A MINIMUM 1/8" BEYOND THE PERIMETER OF EACH FASTENER HEAD

POLYGUARD PRM MEMBRANE APPLIED TO SUBSTRATE PREPARED WITH POLYGUARD 650 LT LIQUID ADHESIVE OR POLYGUARD CALIFORNIA SEALANT AT A RATE OF 250 - 300 SF / GAL OR POLYGUARD 650 WB LIQUID ADHESIVE AT 350 - 400 SF/GAL - OVERLAPS ARE A MINIMUM 2-1/2" ON SIDE LAPS AND A MINIMUM 6" ON END LAPS

POLYGUARD 12" DETAIL TAPE OR A 12" STRIP OF POLYGUARD 650 MEMBRANE APPLIED AND CENTERED (6" ON EACH CONCRETE FACE) ON ALL INSIDE AND OUTSIDE CORNERS PREPARED WITH POLYGUARD 650 LT LIQUID ADHESIVE OR POLYGUARD CALIFORNIA SEALANT AT A RATE OF 250 - 300 SF/GAL OR POLYGUARD 650 WB LIQUID ADHESIVE AT A RATE OF 350 - 400 SF/GAL

POLYGUARD DETAIL SEALANT PW OR POLYGUARD LM-95 APPLIED TO SEAMS 12" FROM POLYGUARD PRM MEMBRANE CHANGES IN PLANE, AND ALONG POLYGUARD MEMBRANE TERMINAL EDGES

3/4" FILLET / CANT BEAD
POLYGUARD DETAIL SEALANT PW OR POLYGUARD LM-95 APPLIED TO RAW CONCRETE ALONG INSIDE CORNERS

POLYGUARD 12" DETAIL TAPE OR A 12" STRIP OF POLYGUARD 650 MEMBRANE APPLIED AND CENTERED (6" ON EACH CONCRETE FACE) ON ALL INSIDE AND OUTSIDE CORNERS PREPARED WITH POLYGUARD 650 LT LIQUID ADHESIVE OR POLYGUARD CALIFORNIA SEALANT AT A RATE OF 250 - 300 SF/GAL OR POLYGUARD 650 WB LIQUID ADHESIVE AT A RATE OF 350 - 400 SF/GAL

1/8" X 1" METAL TERMINATION BAR (BY OTHERS), FASTEN AT A MAXIMUM 8" O.C. SPACING AND A MAXIMUM 2" FROM EACH END

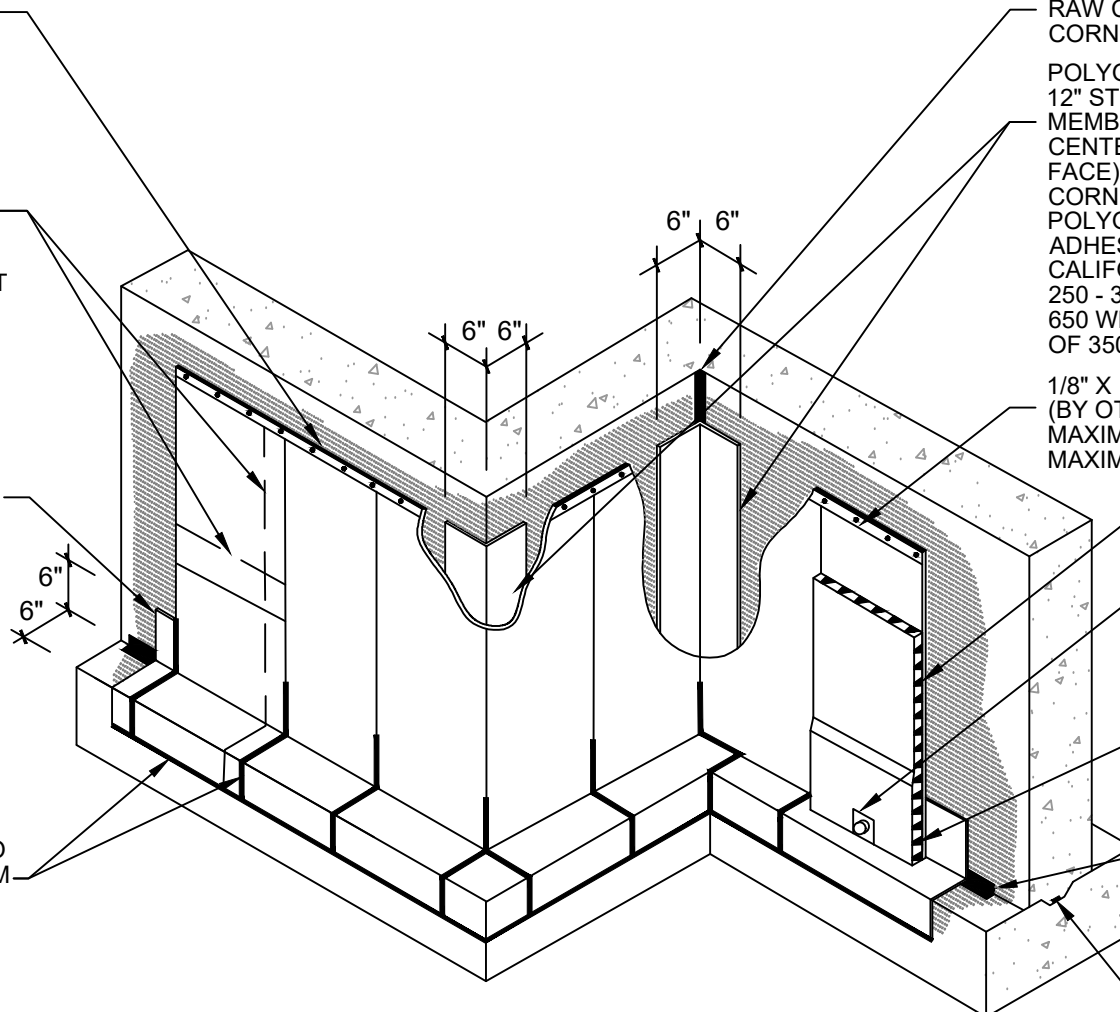
POLYGUARD POLYFLOW 15 / 15P SHEET-MOLDED DRAIN

POLYGUARD TOTALFLOW CONNECTORS - TEE AND END OUTLETS AVAILABLE

POLYGUARD TOTALFLOW HIGH-CAPACITY PERIMETER DRAIN

3/4" FILLET / CANT BEAD OF POLYGUARD DETAIL SEALANT PW OR LM-95 APPLIED TO RAW CONCRETE

WATERSTOP PER MANUFACTURES RECOMMENDATIONS (BY OTHERS)



PRM3

SPECIAL NOTE: IF ADHESIVE IS REQUIRED FOR SEAMS OR ENDLAPS DO NOT USE POLYGUARD 650 WB LIQUID ADHESIVE

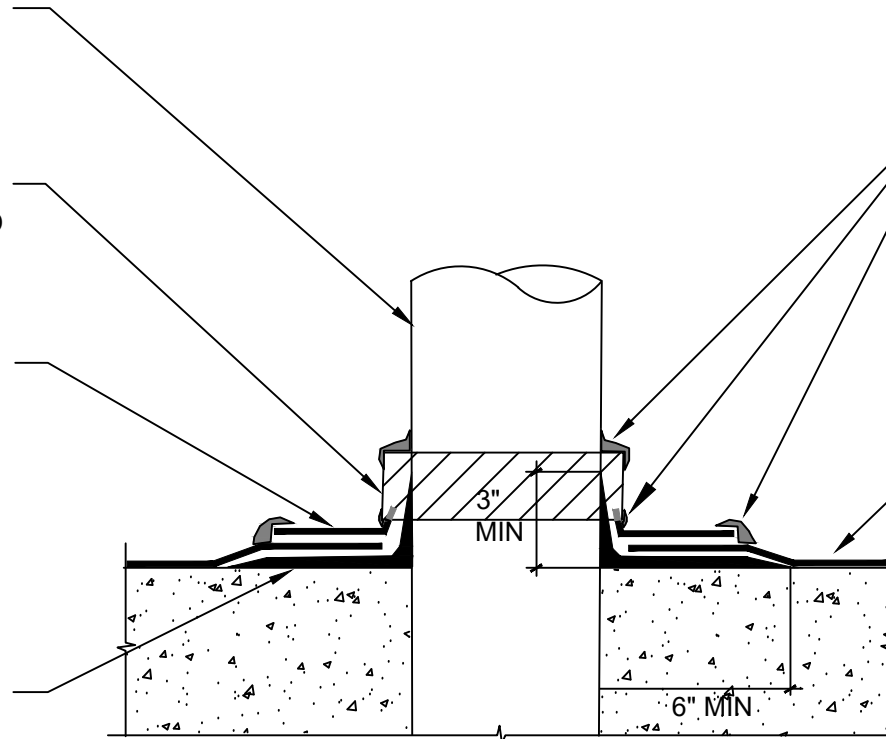
<p>The information provided is based on data and knowledge considered to be true and accurate and is offered for the users' consideration, investigation and verification, but we do not warrant the results to be obtained. Please read all data sheets, statements, recommendations or suggestions in conjunction with our conditions of sale, which apply to all goods supplied by us.</p>	NOT TO SCALE
	EFFECTIVE DATE: 10/01/2022
	SUPERCEDES: 05/05/2022

SECURED PENETRATION MEMBER
CLEAN AND ABRAID 3" OF THE
BASE OF PENETRATION
SIDEWALLS. APPLY POLYGUARD
650 LT LIQUID ADHESIVE OR
POLYGUARD CALIFORNIA
SEALANT AT A RATE OF 250 - 300
SF/GALOR POLYGUARD 650 WB
LIQUID ADHESIVE AT A RATE OF
350-400 SF/GAL TO SIDEWALLS

3" PIECE OF POLYGUARD 650
MEMBRANE WRAPPED AROUND
THE PIPE AND TERMINATION OF
TARGET PATCH AND ONTO CURED
POLYGUARD DETAIL SEALANT PW
OR POLYGUARD LM-95

TARGET PATCH OF POLYGUARD
650 MEMBRANE TO CREATE A
TIGHT SEAL AROUND
PENETRATION

POLYGUARD DETAIL SEALANT PW
OR POLYGUARD LM-95 APPLY 6"
ON TO RAW CONCRETE AND 3"
ONTO ABRAIDED AND PRIMED
PENETRATION



POLYGUARD DETAIL SEALANT
PW OR POLYGUARD LM-95
APPLIED TO TERMINAL EDGES
OF TARGET PATCH

FIELD SHEET OF PRM
MEMBRANE ROUGH FIT
AROUND PENETRATION
APPLIED TO SUBSTRATE
PREPARED WITH POLYGUARD
650 LT LIQUID ADHESIVEOR
POLYGUARD CALIFORNIA
SEALANT AT A RATE OF 250 TO
300 SF/GAL OR POLYGUARD 650
WB LIQUID ADHESIVE APPLIED
AT A RATE OF 350 - 400 SF/GAL
AND OVER TOP OF POLYGUARD
DETAIL SEALANT PW OR
POLYGUARD LM-95



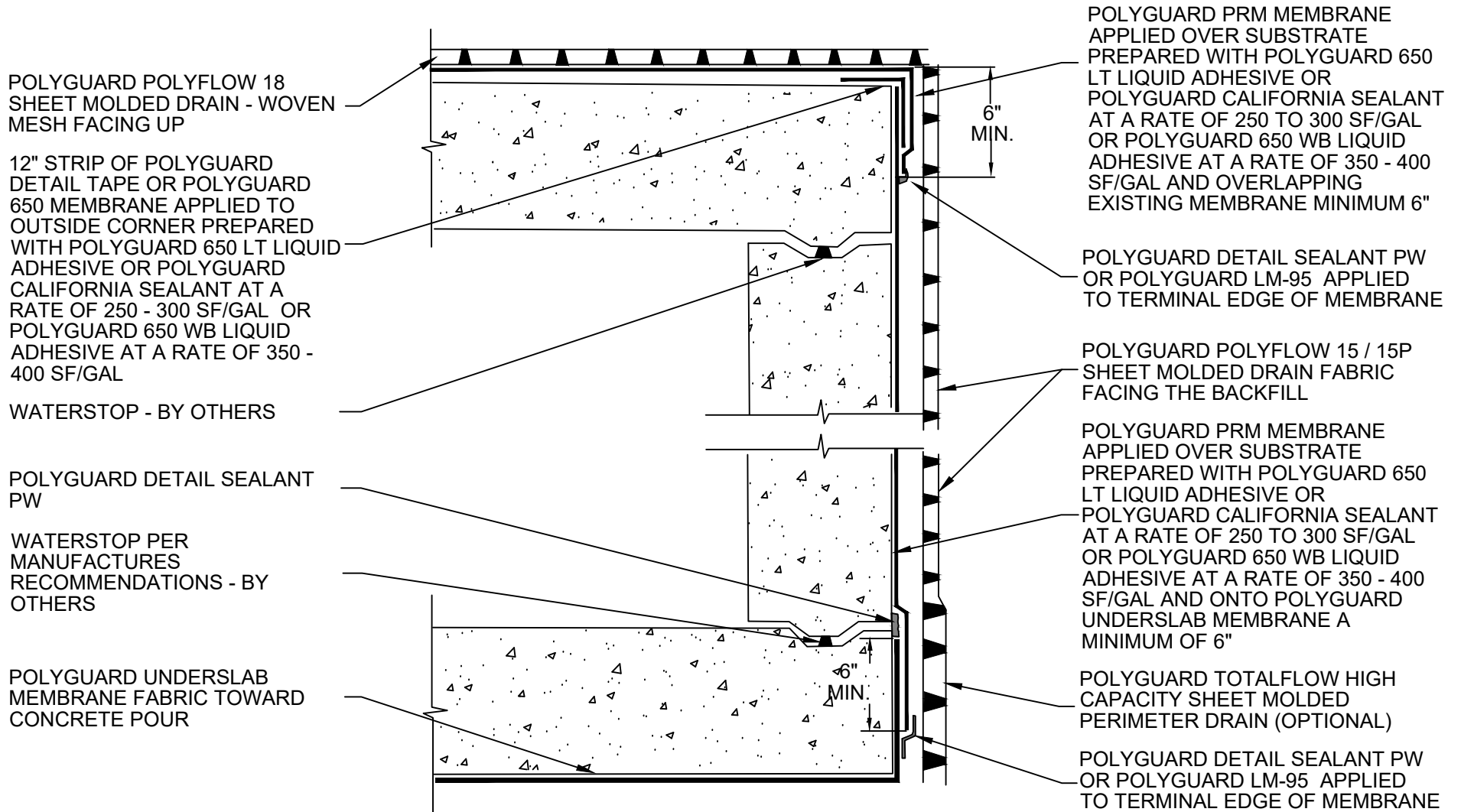
SECTION@ HORIZONTAL PENETRATION WATERPROOFING

Polyguard Products, Inc.
P.O. Box 755 - Ennis, TX 75120
Phone: 214-515-5000
Web Site - www.polyguard.com

**SPECIAL NOTE: IF ADHESIVE IS REQUIRED FOR
SEAMS OR ENDLAPS DO NOT USE POLYGUARD
650 WB LIQUID ADHESIVE**

©POLYGUARD PRODUCTS, INC.
MATERIAL SEPARATED FOR CLARITY

<small>The information provided is based on data and knowledge considered to be true and accurate and is offered for the users' consideration, investigation and verification, but we do not warrant the results to be obtained. Please read all data sheets, statements, recommendations or suggestions in conjunction with our conditions of sale, which apply to all goods supplied by us.</small>	NOT TO SCALE
	EFFECTIVE DATE: 10/01/2022
	SUPERCEDES: 05/05/2022



PRM5 SECTION@ TUNNEL WATERPROOFING DETAIL

Polyguard Products, Inc.
P.O. Box 755 - Ennis, TX 75120
Phone: 214-515-5000
Web Site - www.polyguard.com

SPECIAL NOTE: IF ADHESIVE IS REQUIRED FOR SEAMS OR ENDLAPS DO NOT USE POLYGUARD 650 WB LIQUID ADHESIVE

©POLYGUARD PRODUCTS, INC.
MATERIAL SEPARATED FOR CLARITY

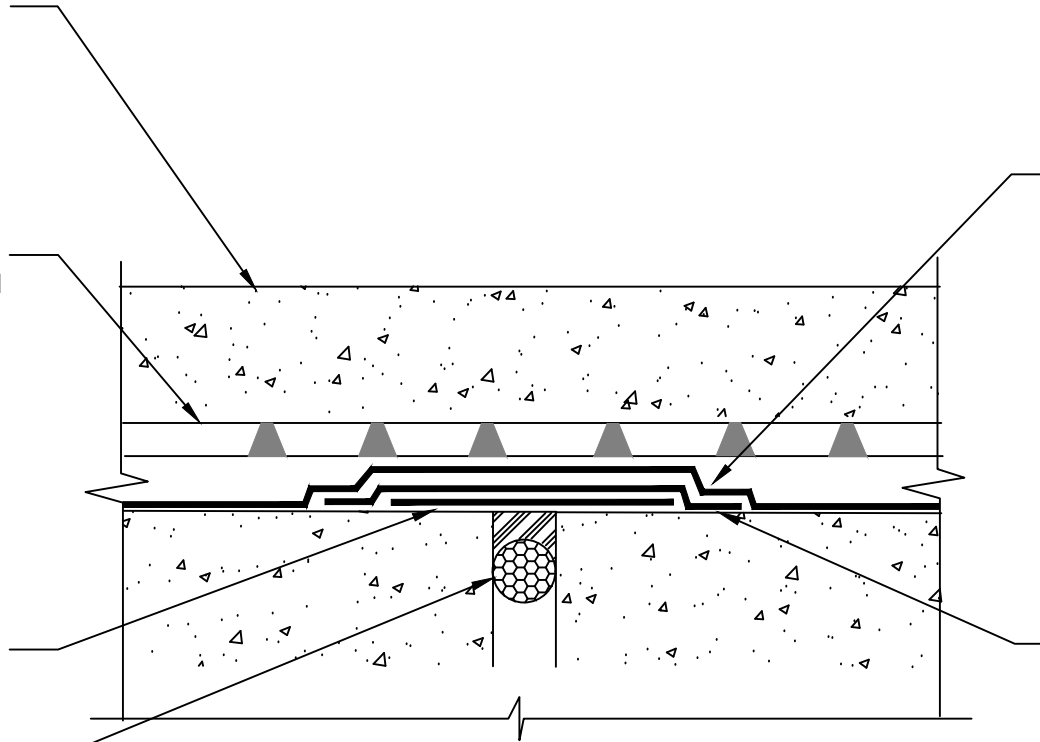
<small>The information provided is based on data and knowledge considered to be true and accurate and is offered for the users' consideration, investigation and verification, but we do not warrant the results to be obtained. Please read all data sheets, statements, recommendations or suggestions in conjunction with our conditions of sale, which apply to all goods supplied by us.</small>	NOT TO SCALE
	EFFECTIVE DATE: 10/01/2022
	SUPERCEDES: 05/05/2022

TOPPING SLAB, PAVERS OR
THIN SET MORTAR TILE SYSTEM
AND EXPANSION JOINT BY
OTHERS

POLYGUARD POLYFLOW 18
SHEET MOLDED DRAIN MESH
FACING SHOULD FACE THE
TOPPING SLAB OR PROTECTION
BOARD

8" STRIP OF POLYGUARD
DETAIL TAPE OR POLYGUARD
650 MEMBRANE INVERTED AND
CENTERED OVER JOINT
(ADHESIVE SIDE UP)

BACKER ROD AND SEALANT
BY OTHERS



FIELD COVERAGE OF PRM
MEMBRANE APPLIED TO
SUBSTRATE PREPARED
WITH POLYGUARD 650 LT
LIQUID ADHESIVE OR
POLYGUARD CALIFORNIA
SEALANT AT A RATE OF 250
TO 300 SF/GAL OR
POLYGUARD 650 WB LIQUID
ADHESIVE AT A RATE OF 350
- 400 SF/GAL

12" STRIP OF POLYGUARD
DETAIL TAPE OR
POLYGUARD 650
MEMBRANE CENTERED
OVER 8" INVERTED
MEMBRANE AND APPLIED TO
SUBSTRATE PREPARED
WITH POLYGUARD 650 LT
LIQUID ADHESIVE OR
POLYGUARD CALIFORNIA
SEALANT AT A RATE OF 250 -
300 SF/GAL OR POLYGUARD
650 WB LIQUID ADHESIVE AT
A RATE OF 350 TO 400
SF/GAL

PRM6

SECTION@ HORIZONTAL EXPANSION JOINT COVER

Polyguard Products, Inc.
P.O. Box 755 - Ennis, TX 75120
Phone: 214-515-5000
Web Site - www.polyguard.com

**SPECIAL NOTE: IF ADHESIVE IS REQUIRED FOR
SEAMS OR ENDLAPS DO NOT USE POLYGUARD
650 WB LIQUID ADHESIVE**

©POLYGUARD PRODUCTS, INC.
MATERIAL SEPARATED FOR CLARITY

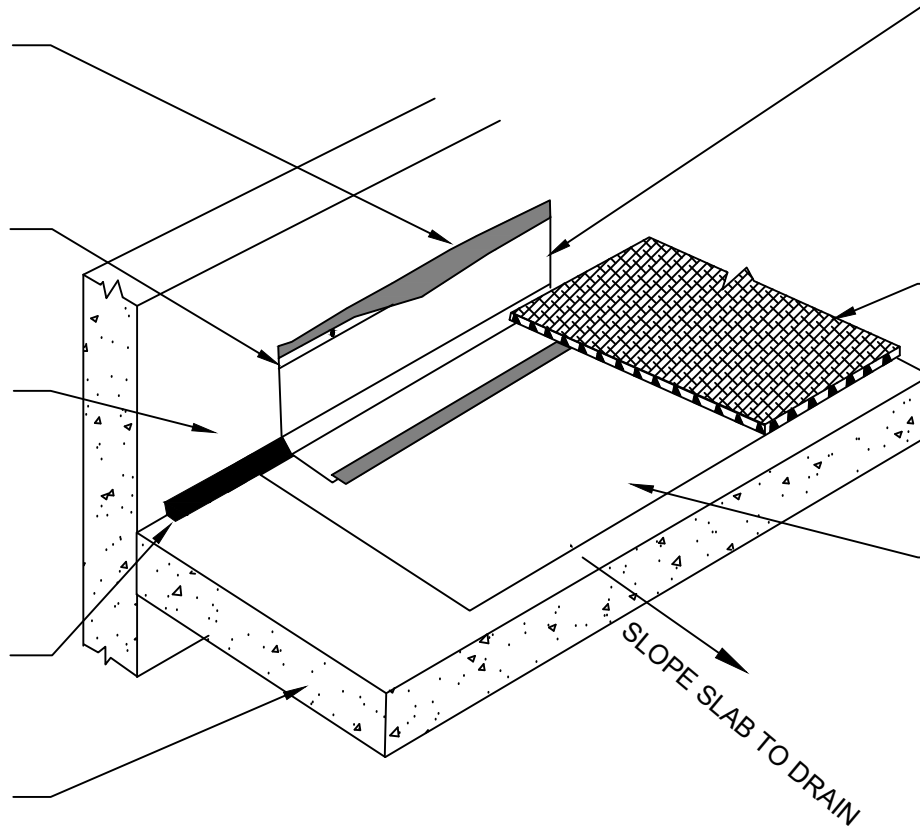
The information provided is based on data and knowledge considered to be true and accurate and is offered for the users' consideration, investigation and verification, but we do not warrant the results to be obtained. Please read all data sheets, statements, recommendations or suggestions in conjunction with our conditions of sale, which apply to all goods supplied by us.	NOT TO SCALE
	EFFECTIVE DATE: 10/01/2022
	SUPERCEDES: 05/05/2022

POLYGUARD DETAIL SEALANT PW OR POLYGUARD LM95 APPLIED TO THE TOP OF THE TERMINATION BAR AND COVERING A MINIMUM 1/8" BEYOND PERIMETER OF FASTENER HEADS

1/8" X 1" METAL TERMINATION BAR FASTENED AT 8" SPACING AND 2" FROM EACH END - BY OTHERS

3/4" FILLET OF POLYGUARD DETAIL SEALANT PW OR POLYGUARD LM-95 APPLIED TO RAW CONCRETE

SUBSTRATE - BY OTHERS



12" POLYGUARD DETAIL TAPE OR POLYGUARD 650 MEMBRANE APPLIED TO INSIDE AND OUTSIDE CORNERS PREPARE VERTICAL SUBSTRATE WITH POLYGUARD 650 LT LIQUID ADHESIVE OR POLYGUARD CALIFORNIA SEALANT AT A RATE OF 250 - 300 SF/GAL OR POLYGUARD 650 WB LIQUID ADHESIVE AT A RATE OF 350-400 SF/GAL AND ONTO EXISTING HORIZONTAL PRM MEMBRANE POLYGUARD POLYFLOW 18 SHEET MOLDED DRAIN OR PROTECTION - WOVEN MESH FACING TOPPING SLAB

POLYGUARD PRM MEMBRANE APPLIED TO HORIZONTAL SUBSTRATE PREPARED WITH POLYGUARD 650 LT LIQUID ADHESIVE OR POLYGUARD CALIFORNIA SEALANT AT A RATE OF 250 - 300 SF/GAL OR POLYGUARD 650 WB LIQUID ADHESIVE AT A RATE OF 350 - 400 SF/GAL - TERMINATING AT THE FILLET - SLOPE TO DRAIN



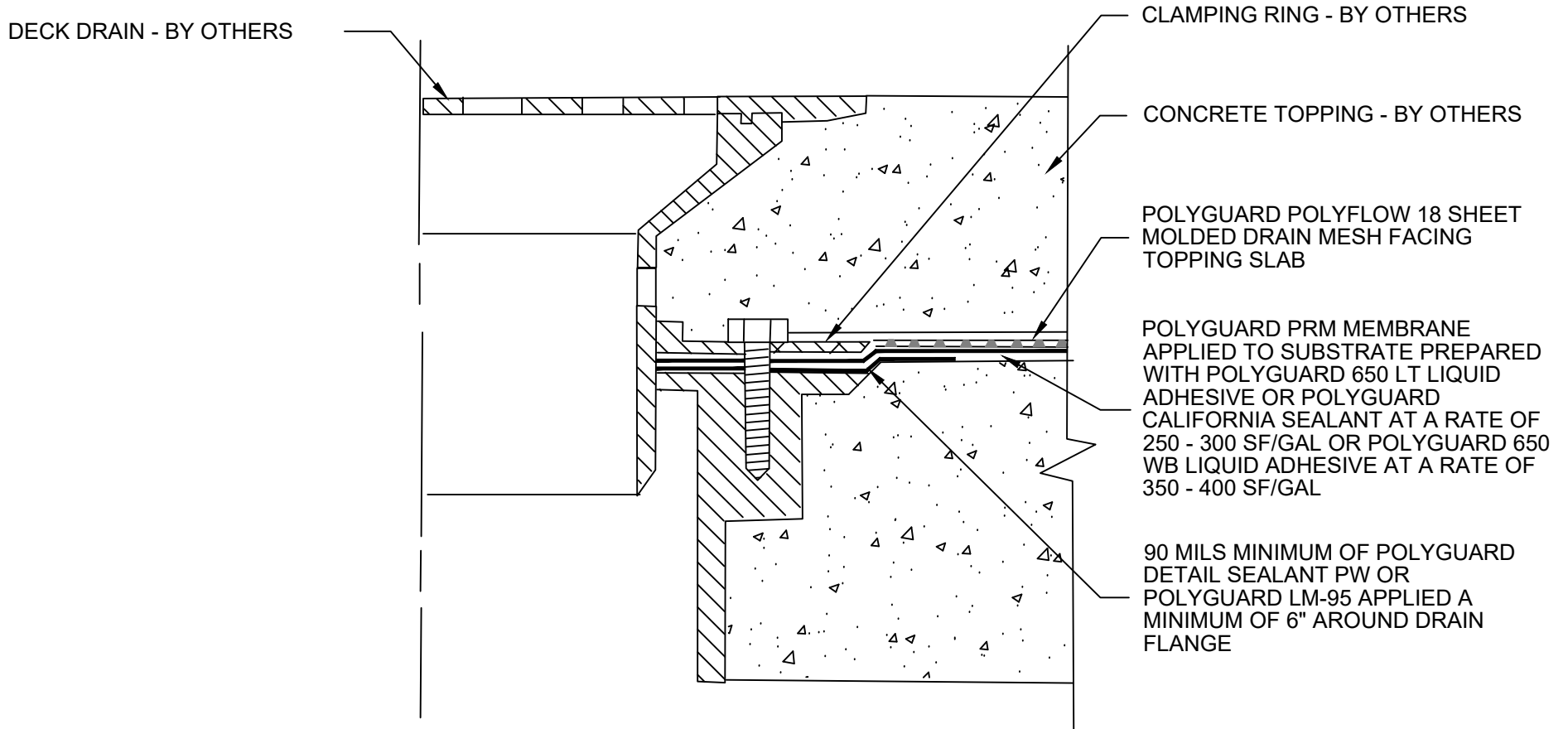
OVERVIEW@ HORIZONTAL SLAB AT WALL TERMINATION

Polyguard Products, Inc.
P.O. Box 755 - Ennis, TX 75120
Phone: 214-515-5000
Web Site - www.polyguard.com

SPECIAL NOTE: IF ADHESIVE IS REQUIRED FOR SEAMS OR ENDLAPS DO NOT USE POLYGUARD 650 WB LIQUID ADHESIVE

©POLYGUARD PRODUCTS, INC.
MATERIAL SEPARATED FOR CLARITY

<small>The information provided is based on data and knowledge considered to be true and accurate and is offered for the users' consideration, investigation and verification, but we do not warrant the results to be obtained. Please read all data sheets, statements, recommendations or suggestions in conjunction with our conditions of sale, which apply to all goods supplied by us.</small>	NOT TO SCALE
	EFFECTIVE DATE: 10/01/2022
	SUPERCEDES: 05/05/2022



PRM8

SECTION @ DUAL LEVEL DRAIN

Polyguard Products, Inc.
P.O. Box 755 - Ennis, TX 75120
Phone: 214-515-5000
Web Site - www.polyguard.com

SPECIAL NOTE: IF ADHESIVE IS REQUIRED FOR SEAMS OR ENDLAPS DO NOT USE POLYGUARD 650 WB LIQUID ADHESIVE

©POLYGUARD PRODUCTS, INC.
MATERIAL SEPARATED FOR CLARITY

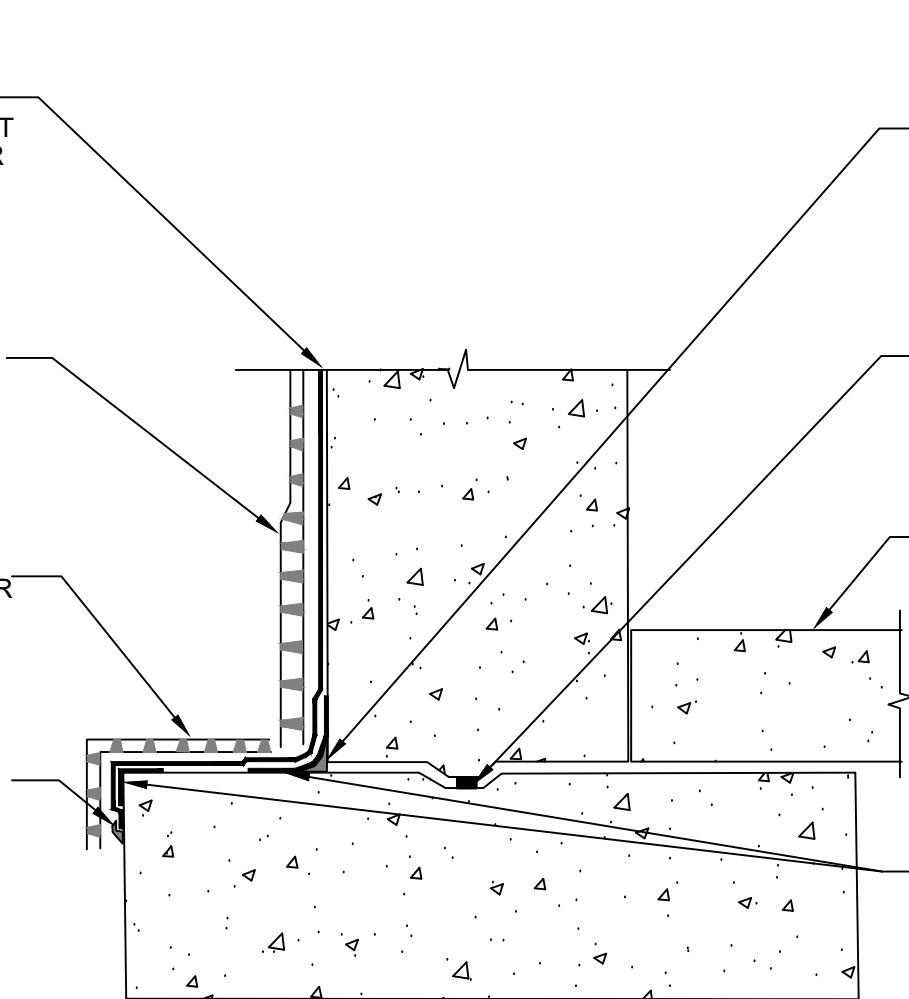
<small>The information provided is based on data and knowledge considered to be true and accurate and is offered for the users' consideration, investigation and verification, but we do not warrant the results to be obtained. Please read all data sheets, statements, recommendations or suggestions in conjunction with our conditions of sale, which apply to all goods supplied by us.</small>	NOT TO SCALE
	EFFECTIVE DATE: 10/01/2022
	SUPERCEDES: 05/05/2022

POLYGUARD PRM MEMBRANE
APPLIED TO SUBSTRATE
PREPARED WITH POLYGUARD 650
LT LIQUID ADHESIVE OR,
POLYGUARD CALIFORNIA SEALANT
AT A RATE OF 250 - 300 SF/GAL OR
POLYGUARD 650 WB LIQUID
ADHESIVE AT A RATE OF 350 - 400
SF/GAL

POLYGUARD TOTALFLOW HIGH
CAPACITY PERIMETER DRAIN -
FABRIC FACING BACKFILL AND
CONNECTS TO THE POLYGUARD
POLYFLOW 15 / 15P SHEET
MOLDED DRAIN CONTINUED UP
THE WALL

POLYGUARD POLYFLOW 15 /15P
SHEET MOLDED DRAIN FABRIC
FACING BACKFILL - PRIMARILY FOR
PROTECTION OF THE MEMBRANE

POLYGUARD DETAIL SEALANT
PW OR POLYGUARD LM-95
APPLIED TO TERMINAL EDGE OF
MEMBRANE



3/4" FILLET OF POLYGUARD DETAIL
SEALANT PW OR POLYGUARD LM-95
APPLIED TO INSIDE CORNERS
VERTICALLY AND HORIZONTALLY
TO RAW CONCRETE - ALLOW
POLYGUARD DETAIL SEALANT PW
TO CURE FOR 2 HOURS PRIOR TO
SHEET APPLICATION

WATERSTOP PER MANUFACTURES
RECOMMENDATIONS - BY OTHERS

TOP OF INTERIOR FLOOR HEIGHT
12" AND UNDER FROM TOP OF
FOOTER - WATERPROOF AS
SHOWN - IF FOOTER IS POURED IN
PLACE FOOTER MEMBRANE MUST
BE CARRIED OUT 12" AND
TERMINATED WITH TERMINATION
BAR AND SEALED WITH
POLYGUARD DETAIL SEALANT PW
OR POLYGUARD LM-95

12" STRIP OF POLYGUARD DETAIL
TAPE OR POLYGUARD 650
MEMBRANE APPLIED TO INSIDE
AND OUTSIDE CORNERS - PREPARE
SUBSTRATE WITH POLYGUARD 650
LT LIQUID ADHESIVE OR
POLYGUARD CALIFORNIA SEALANT
AT A RATE OF 250 - 300 SF/GAL OR
POLYGUARD 650 WB LIQUID
ADHESIVE AT A RATE OF 350 - 400
SF/GAL

PRM9

SECTION @ TOP OF INTERIOR FLOOR 12" AND UNDER FROM TOP OF FOOTER

©POLYGUARD PRODUCTS, INC.
MATERIAL SEPARATED FOR CLARITY

Polyguard Products, Inc.
P.O. Box 755 - Ennis, TX 75120
Phone: 214-515-5000
Web Site - www.polyguard.com

**SPECIAL NOTE: IF ADHESIVE IS REQUIRED FOR
SEAMS OR ENDLAPS DO NOT USE POLYGUARD
650 WB LIQUID ADHESIVE**

<small>The information provided is based on data and knowledge considered to be true and accurate and is offered for the users' consideration, investigation and verification, but we do not warrant the results to be obtained. Please read all data sheets, statements, recommendations or suggestions in conjunction with our conditions of sale, which apply to all goods supplied by us.</small>	NOT TO SCALE
	EFFECTIVE DATE: 10/01/2022
	SUPERCEDES: 05/05/2022

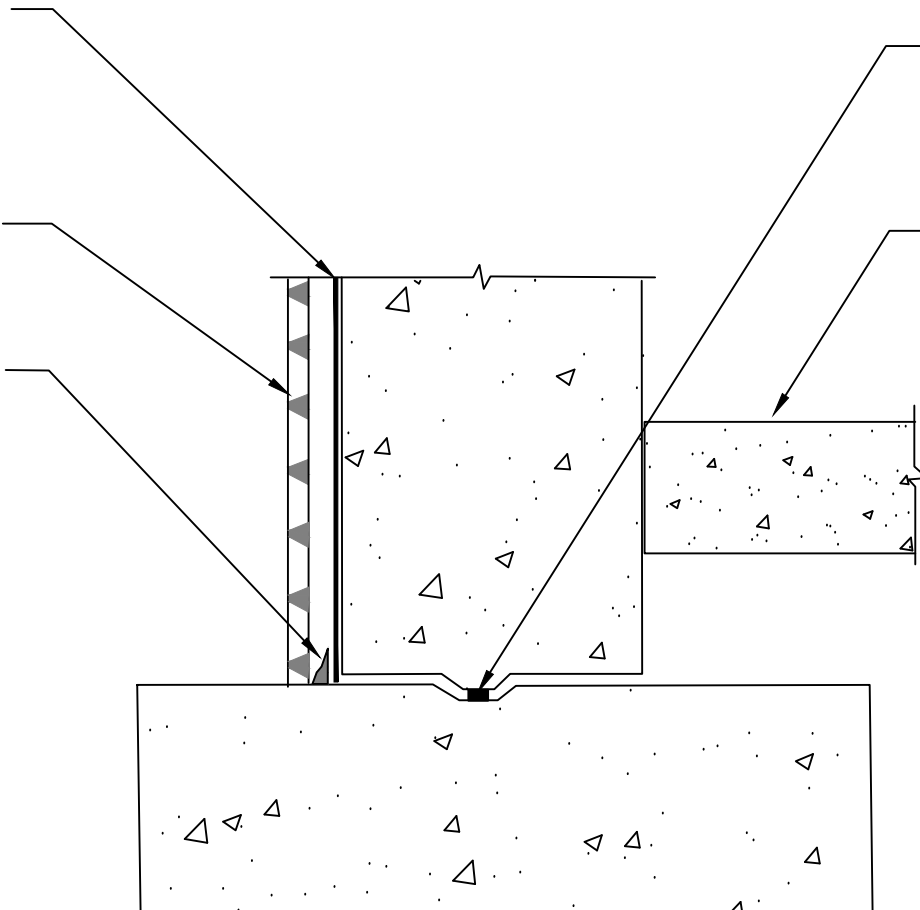
POLYGUARD PRM MEMBRANE
APPLIED TO SUBSTRATE
PREPARED WITH POLYGUARD
650 LT LIQUID ADHESIVE OR
POLYGUARD CALIFORNIA
SEALANT AT A RATE OF 250 - 300
SF/GAL OR POLYGUARD 650 WB
LIQUID ADHESIVE AT A RATE OF
350 - 400 SF/GAL

POLYGUARD POLYFLOW 15 /15P
SHEET MOLDED DRAIN FABRIC
FACING BACKFILL

POLYGUARD DETAIL SEALANT
PW OR POLYGUARD LM-95
APPLIED TO TERMINAL EDGE OF
MEMBRANE

WATERSTOP PER MANUFACTURES
RECOMMENDATION - BY OTHERS

TOP OF INTERIOR FLOOR HEIGHT IS
GREATER THAN 12" ABOVE TOP OF
FOOTER



PRM10

SECTION @ TOP OF INTERIOR FLOOR GREATER THAN 12" FROM TOP OF FOOTER

Polyguard Products, Inc.
P.O. Box 755 - Ennis, TX 75120
Phone: 214-515-5000
Web Site - www.polyguard.com

**SPECIAL NOTE: IF ADHESIVE IS REQUIRED FOR
SEAMS OR ENDLAPS DO NOT USE POLYGUARD
650 WB LIQUID ADHESIVE**

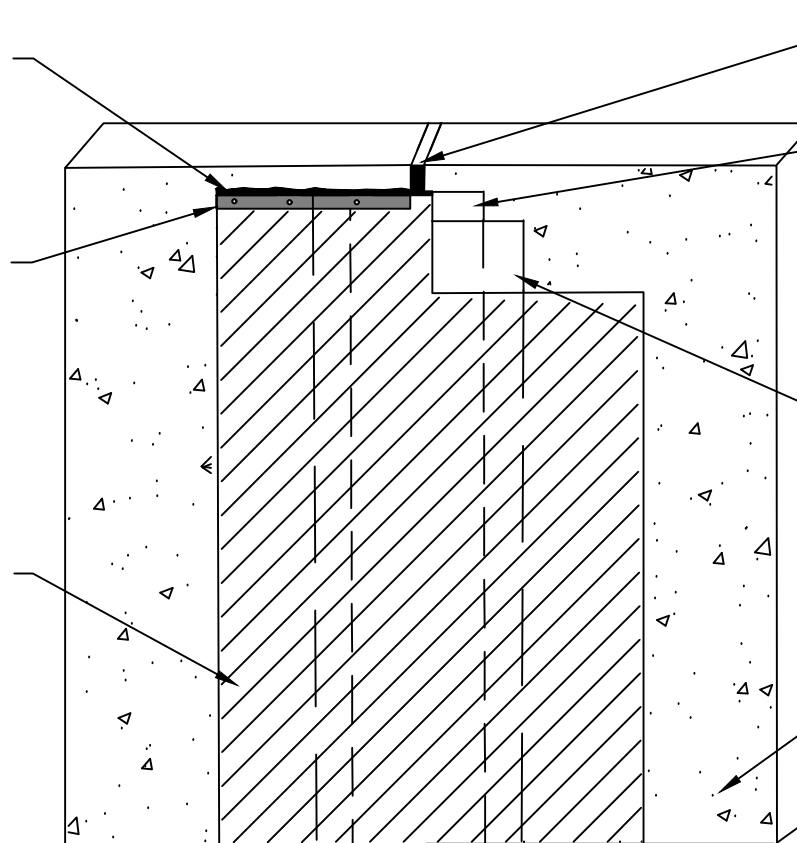
©POLYGUARD PRODUCTS, INC.
MATERIAL SEPARATED FOR CLARITY

<small>The information provided is based on data and knowledge considered to be true and accurate and is offered for the users' consideration, investigation and verification, but we do not warrant the results to be obtained. Please read all data sheets, statements, recommendations or suggestions in conjunction with our conditions of sale, which apply to all goods supplied by us.</small>	NOT TO SCALE
	EFFECTIVE DATE: 10/01/2022
	SUPERCEDES: 05/05/2022

POLYGUARD DETAIL SEALANT PW OR POLYGUARD LM 95 APPLIED TO THE TOP EDGE OF TERMINATION BAR AND TO COVER MINIMUM 1/8" BEYOND PERIMETER OF FASTENER HEADS

1/8" X 1" METAL TERMINATION BAR FASTENED AT 8" SPACING AND 2" FROM EACH END BUT NOT ACROSS THE JOINT - BY OTHERS

FIELD SHEET OF POLYGUARD PRM MEMBRANE APPLIED OVER THE 12" STRIP OF POLYGUARD DETAIL TAPE OR POLYGUARD 650 MEMBRANE - PREPARE SUBSTRATE WITH POLYGUARD 650 LT LIQUID ADHESIVE OR POLYGUARD CALIFORNIA SEALANT AT A RATE OF 250 TO 300 SF/GAL OR POLYGUARD 650 WB LIQUID ADHESIVE AT A RATE OF 350 - 400 SF/GAL



BACKER ROD AND COMPATIBLE SEALANT - BY OTHERS

8" STRIP OF POLYGUARD DETAIL TAPE OR POLYGUARD 650 MEMBRANE INVERTED OVER EXPANSION JOINT ADHESIVE SIDE FACING OUTWARD

12" STRIP OF POLYGUARD DETAIL TAPE OR POLYGUARD 650 MEMBRANE CENTERED OVER ADHESIVE SIDE OF 8" INVERTED PIECE AND ADHERED - PREPARE CONCRETE WITH POLYGUARD 650 LT LIQUID ADHESIVE OR POLYGUARD CALIFORNIA SEALANT AT A RATE OF 250 - 300 SF/GAL OR POLYGUARD 650 WB LIQUID ADHESIVE AT A RATE OF 350 - 400 SF/GAL

SUBSTRATE - BY OTHERS

PRM11

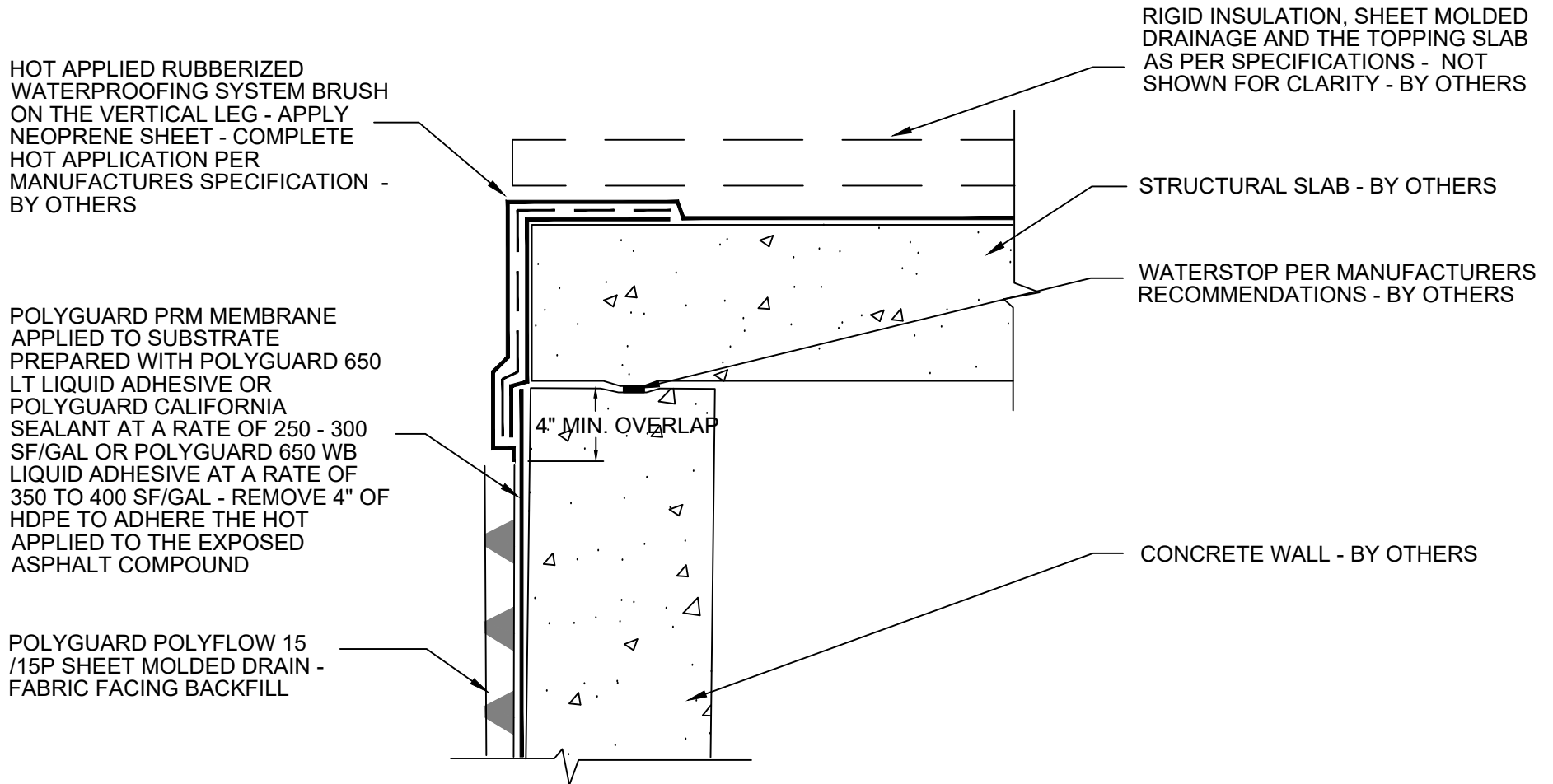
SECTION @ VERTICAL WALL EXPANSION JOINT COVER

Polyguard Products, Inc.
P.O. Box 755 - Ennis, TX 75120
Phone: 214-515-5000
Web Site - www.polyguard.com

SPECIAL NOTE: IF ADHESIVE IS REQUIRED FOR SEAMS OR ENDLAPS DO NOT USE POLYGUARD 650 WB LIQUID ADHESIVE

©POLYGUARD PRODUCTS, INC.
MATERIAL SEPARATED FOR CLARITY

<small>The information provided is based on data and knowledge considered to be true and accurate and is offered for the users' consideration, investigation and verification, but we do not warrant the results to be obtained. Please read all data sheets, statements, recommendations or suggestions in conjunction with our conditions of sale, which apply to all goods supplied by us.</small>	NOT TO SCALE
	EFFECTIVE DATE: 10/01/2022
	SUPERCEDES: 05/05/2022



PRM12

SECTION @ HOT APPLIED RUBBER TIE IN TO SELF ADHERED MEMBRANE

Polyguard Products, Inc.
P.O. Box 755 - Ennis, TX 75120
Phone: 214-515-5000
Web Site - www.polyguard.com

SPECIAL NOTE: IF ADHESIVE IS REQUIRED FOR SEAMS OR ENDLAPS DO NOT USE POLYGUARD 650 WB LIQUID ADHESIVE

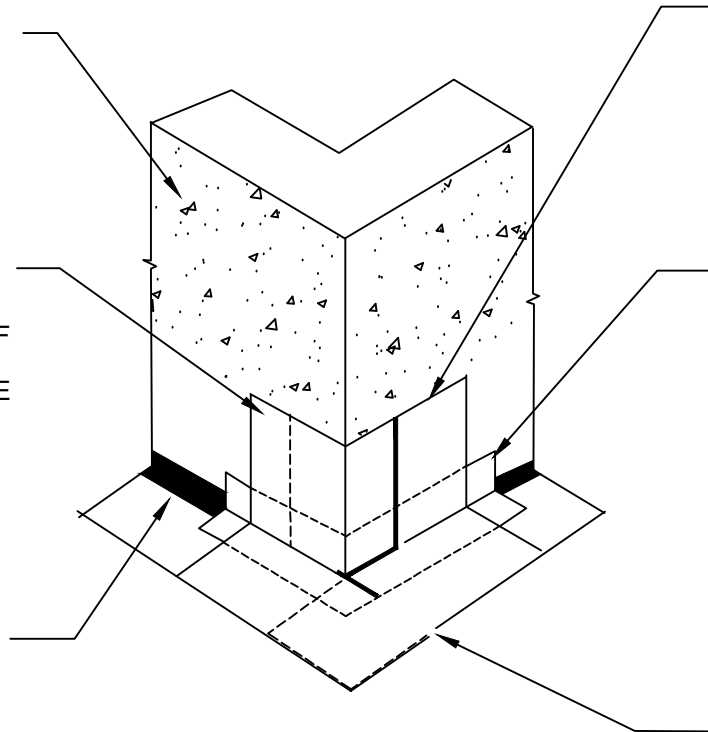
©POLYGUARD PRODUCTS, INC.
MATERIAL SEPARATED FOR CLARITY

<small>The information provided is based on data and knowledge considered to be true and accurate and is offered for the users' consideration, investigation and verification, but we do not warrant the results to be obtained. Please read all data sheets, statements, recommendations or suggestions in conjunction with our conditions of sale, which apply to all goods supplied by us.</small>	NOT TO SCALE
	EFFECTIVE DATE: 10/01/2022
	SUPERCEDES: 05/05/2022

CONCRETE SUBSTRATE - BY OTHERS

PIECE OF POLYGUARD PRM MEMBRANE CUT AND FIT TO OUTSIDE CORNER - APPLIED OVER SUBSTRATE PREPARED WITH POLYGUARD 650 LT LIQUID ADHESIVE OR POLYGUARD CALIFORNIA SEALANT AT A RATE OF 250 - 300 SF/GAL OR POLYGUARD 650 WB LIQUID ADHESIVE AT A RATE OF 350 - 400 SF/GAL

3/4" FILLET OF POLYGUARD DETAIL SEALANT PW OR POLYGUARD LM-95 APPLIED TO INSIDE CORNERS VERTICALLY AND HORIZONTALLY TO RAW CONCRETE - ALLOW DETAIL SEALANT PW TO CURE FOR 2 HOURS PRIOR TO SHEET APPLICATION



PIECE OF POLYGUARD PRM MEMBRANE CUT AND FIT TO OUTSIDE CORNER - APPLIED OVER SUBSTRATE PREPARED WITH POLYGUARD 650 LT LIQUID ADHESIVE OR POLYGUARD CALIFORNIA SEALANT AT A RATE OF 250 - 300 SF/GAL OR POLYGUARD 650 WB LIQUID ADHESIVE AT A RATE OF 350 - 400 SF/GAL

12" STRIP OF POLYGUARD DETAIL TAPE OR POLYGUARD 650 MEMBRANE APPLIED TO INSIDE AND OUTSIDE CORNERS - PREPARE SUBSTRATE WITH POLYGUARD 650 LT LIQUID ADHESIVE OR POLYGUARD CALIFORNIA SEALANT AT A RATE OF 250 - 300 SF/GAL OR POLYGUARD 650 WB LIQUID ADHESIVE AT A RATE OF 350 - 400 SF/GAL

POLYGUARD DETAIL SEALANT PW OR POLYGUARD LM-95 APPLIED TO CUT EDGE AND TERMINATIONS OF POLYGUARD 650 MEMBRANE



OVERVIEW @ FIELD FORMED SELF ADHERED OUTSIDE CORNER

Polyguard Products, Inc.
P.O. Box 755 - Ennis, TX 75120
Phone: 214-515-5000
Web Site - www.polyguard.com

SPECIAL NOTE: IF ADHESIVE IS REQUIRED FOR SEAMS OR ENDLAPS DO NOT USE POLYGUARD 650 WB LIQUID ADHESIVE

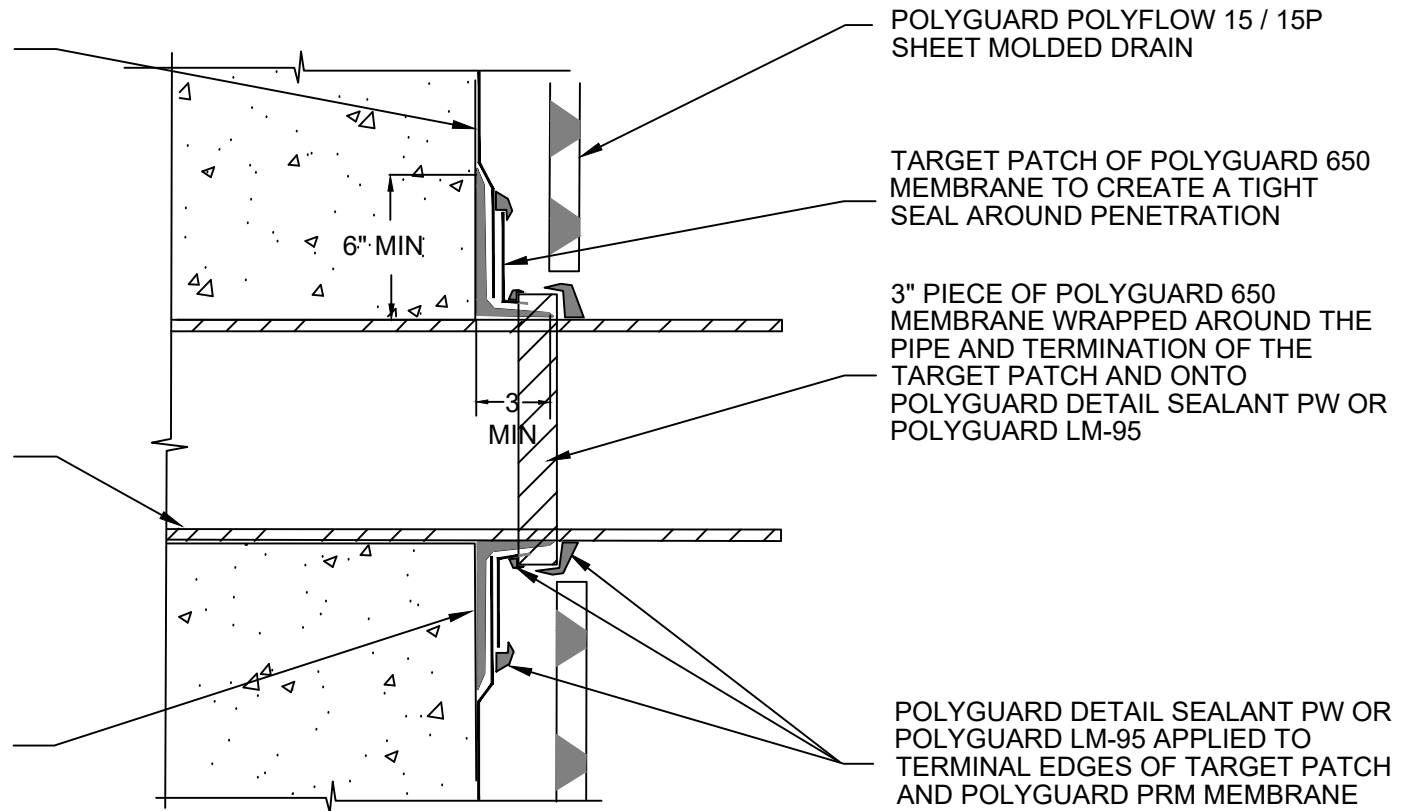
©POLYGUARD PRODUCTS, INC.
MATERIAL SEPARATED FOR CLARITY

<small>The information provided is based on data and knowledge considered to be true and accurate and is offered for the users' consideration, investigation and verification, but we do not warrant the results to be obtained. Please read all data sheets, statements, recommendations or suggestions in conjunction with our conditions of sale, which apply to all goods supplied by us.</small>	NOT TO SCALE
	EFFECTIVE DATE: 10/01/2022
	SUPERCEDES: 05/05/2022

FIELD POLYGUARD PRM MEMBRANE ROUGH FIT AROUND PENETRATION AND ONTO SUBSTRATE PREPARED WITH POLYGUARD 650 LT LIQUID ADHESIVE OR POLYGUARD CALIFORNIA SEALANT AT A RATE OF 250 - 300 SF/GAL OR POLYGUARD 650 WB LIQUID ADHESIVE AT A RATE OF 350 - 400 SF/GAL

SECURED PENETRATION MEMBER CLEAN AND ABRASE 3" OF THE BASE OF PENETRATION SIDEWALLS - APPLY POLYGUARD 650 LT LIQUID ADHESIVE OR POLYGUARD CALIFORNIA SEALANT AT A RATE OF 250 -300 SQ/GAL OR POLYGUARD 650 WB LIQUID ADHESIVE AT A RATE OF 350 - 400 SF/GAL TO PENETRATION SIDEWALL

POLYGUARD DETAIL SEALANT PW OR POLYGUARD LM-95 APPLIED 6" ONTO RAW CONCRETE AND 3" ONTO ABRASED PENETRATION.



POLYGUARD POLYFLOW 15 / 15P SHEET MOLDED DRAIN

TARGET PATCH OF POLYGUARD 650 MEMBRANE TO CREATE A TIGHT SEAL AROUND PENETRATION

3" PIECE OF POLYGUARD 650 MEMBRANE WRAPPED AROUND THE PIPE AND TERMINATION OF THE TARGET PATCH AND ONTO POLYGUARD DETAIL SEALANT PW OR POLYGUARD LM-95

POLYGUARD DETAIL SEALANT PW OR POLYGUARD LM-95 APPLIED TO TERMINAL EDGES OF TARGET PATCH AND POLYGUARD PRM MEMBRANE



SECTION @ VERTICAL WALL PENETRATION

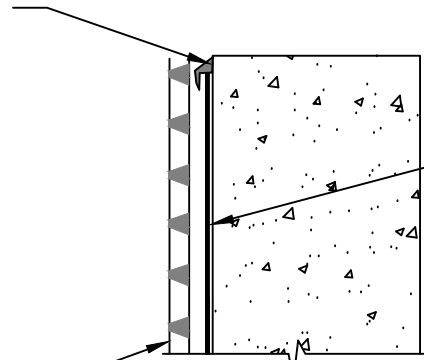
Polyguard Products, Inc.
P.O. Box 755 - Ennis, TX 75120
Phone: 214-515-5000
Web Site - www.polyguard.com

SPECIAL NOTE: IF ADHESIVE IS REQUIRED FOR SEAMS OR ENDLAPS DO NOT USE POLYGUARD 650 WB LIQUID ADHESIVE

©POLYGUARD PRODUCTS, INC.
MATERIAL SEPARATED FOR CLARITY

<small>The information provided is based on data and knowledge considered to be true and accurate and is offered for the users' consideration, investigation and verification, but we do not warrant the results to be obtained. Please read all data sheets, statements, recommendations or suggestions in conjunction with our conditions of sale, which apply to all goods supplied by us.</small>	NOT TO SCALE
	EFFECTIVE DATE: 10/01/2022
	SUPERCEDES: 05/05/2022

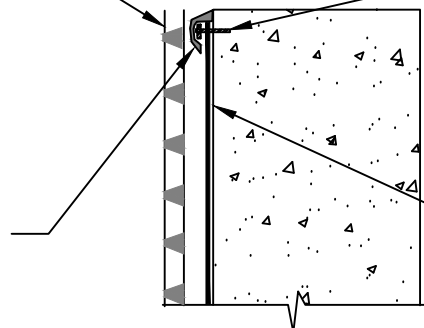
POLYGUARD DETAIL SEALANT OR
POLYGUARD LM-95 APPLIED TO THE TOP
TERMINAL EDGE



POLYGUARD PRM MEMBRANE APPLIED TO
SUBSTRATE PREPARED WITH POLYGUARD 650 LT
LIQUID ADHESIVE OR POLYGUARD CALIFORNIA
SEALANT AT A RATE OF 250 -300 SF/GAL OR
POLYGUARD 650 WB LIQUID ADHESIVE AT A RATE OF
350 TO 400 SF/GAL

POLYGUARD POLYFLOW 15 / 15P MOLDED
SHEET DRAIN - FABRIC FACING BACKFILL

1/8" X 1" METAL TERMINATION BAR FASTENED AT 8"
SPACING AND 2" FROM EACH END - TERM BAR
RECOMMENDED BY POLYGUARD - BY OTHERS



POLYGUARD DETAIL SEALANT PW OR
POLYGUARD LM-95 APPLIED TO THE TOP
OF THE TERMINATION BAR AND
COVERING MINIMUM 1/8" BEYOND
PERIMETER OF FASTENER HEADS

POLYGUARD PRM MEMBRANE APPLIED TO SUBSTRATE
PREPARED WITH POLYGUARD 650 LT LIQUID ADHESIVE
OR POLYGUARD CALIFORNIA SEALANT AT A RATE OF
250 - 300 SF/GAL OR POLYGUARD 650 WB LIQUID
ADHESIVE AT A RATE OF 350 TO 400 SF/GAL



SECTION @ TOP OF WALL TERMINATION OPTIONS

Polyguard Products, Inc.
P.O. Box 755 - Ennis, TX 75120
Phone: 214-515-5000
Web Site - www.polyguard.com

**SPECIAL NOTE: IF ADHESIVE IS REQUIRED FOR
SEAMS OR ENDLAPS DO NOT USE POLYGUARD
650 WB LIQUID ADHESIVE**

©POLYGUARD PRODUCTS, INC.
MATERIAL SEPARATED FOR CLARITY

<small>The information provided is based on data and knowledge considered to be true and accurate and is offered for the users' consideration, investigation and verification, but we do not warrant the results to be obtained. Please read all data sheets, statements, recommendations or suggestions in conjunction with our conditions of sale, which apply to all goods supplied by us.</small>	NOT TO SCALE
	EFFECTIVE DATE: 10/01/2022
	SUPERCEDES: 05/05/2022