

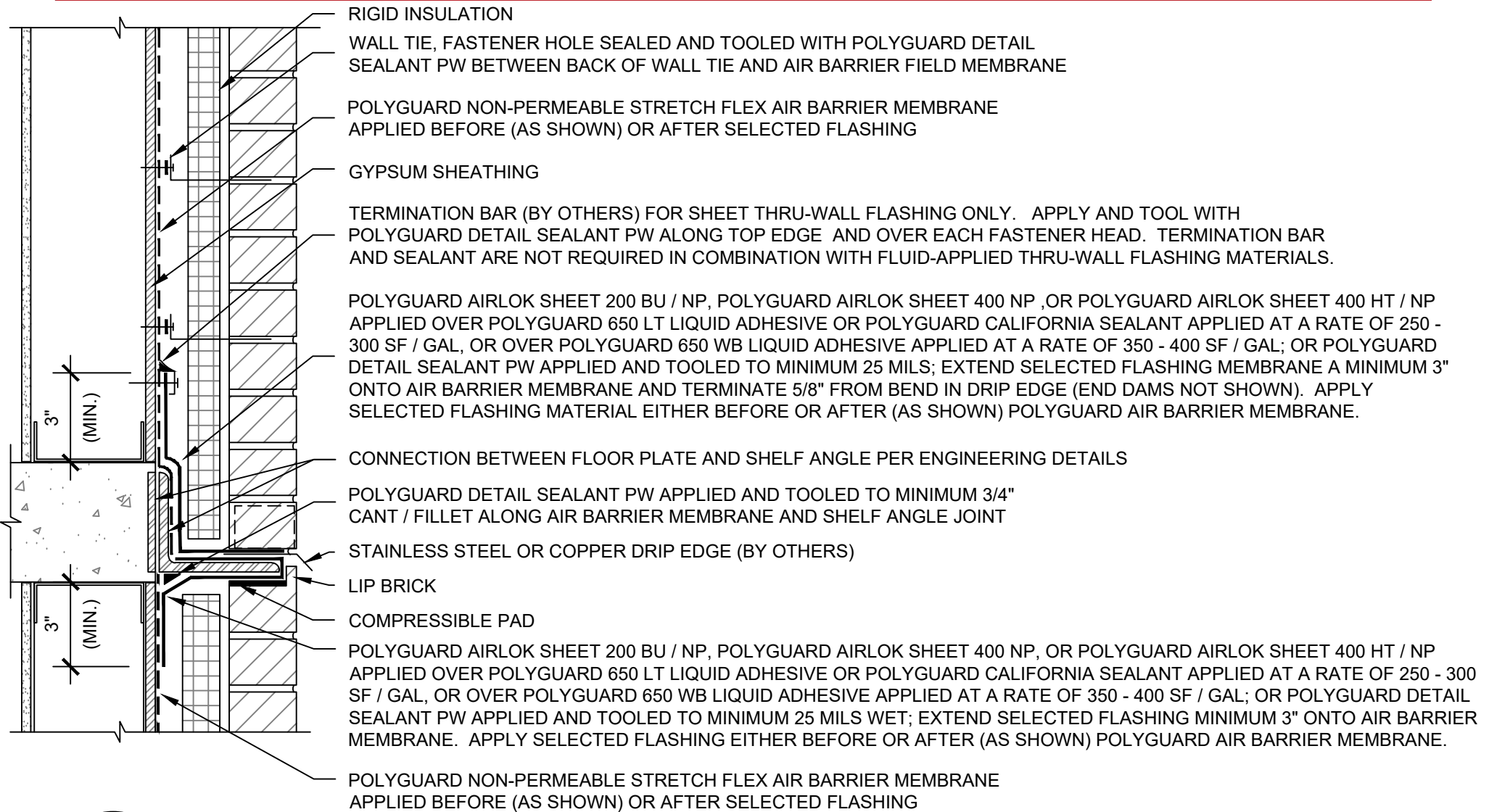
01
SFAG

SECTION @ FRAMED BACKING WALL / MASONRY FINISH - WALL BASE

©POLYGUARD PRODUCTS, INC.
MATERIAL SEPARATED FOR CLARITY

Polyguard Products, Inc.
P.O. Box 755 - Ennis, TX 75120
Phone: 214-515-5000
Web Site - www.polyguard.com

<small>The information provided is based on data and knowledge considered to be true and accurate and is offered for the users' consideration, investigation and verification, but we do not warrant the results to be obtained. Please read all data sheets, statements, recommendations or suggestions in conjunction with our conditions of sale, which apply to all goods supplied by us.</small>	NOT TO SCALE
	EFFECTIVE DATE: 07/15/2024
	SUPERCEDES: 05/10/2024



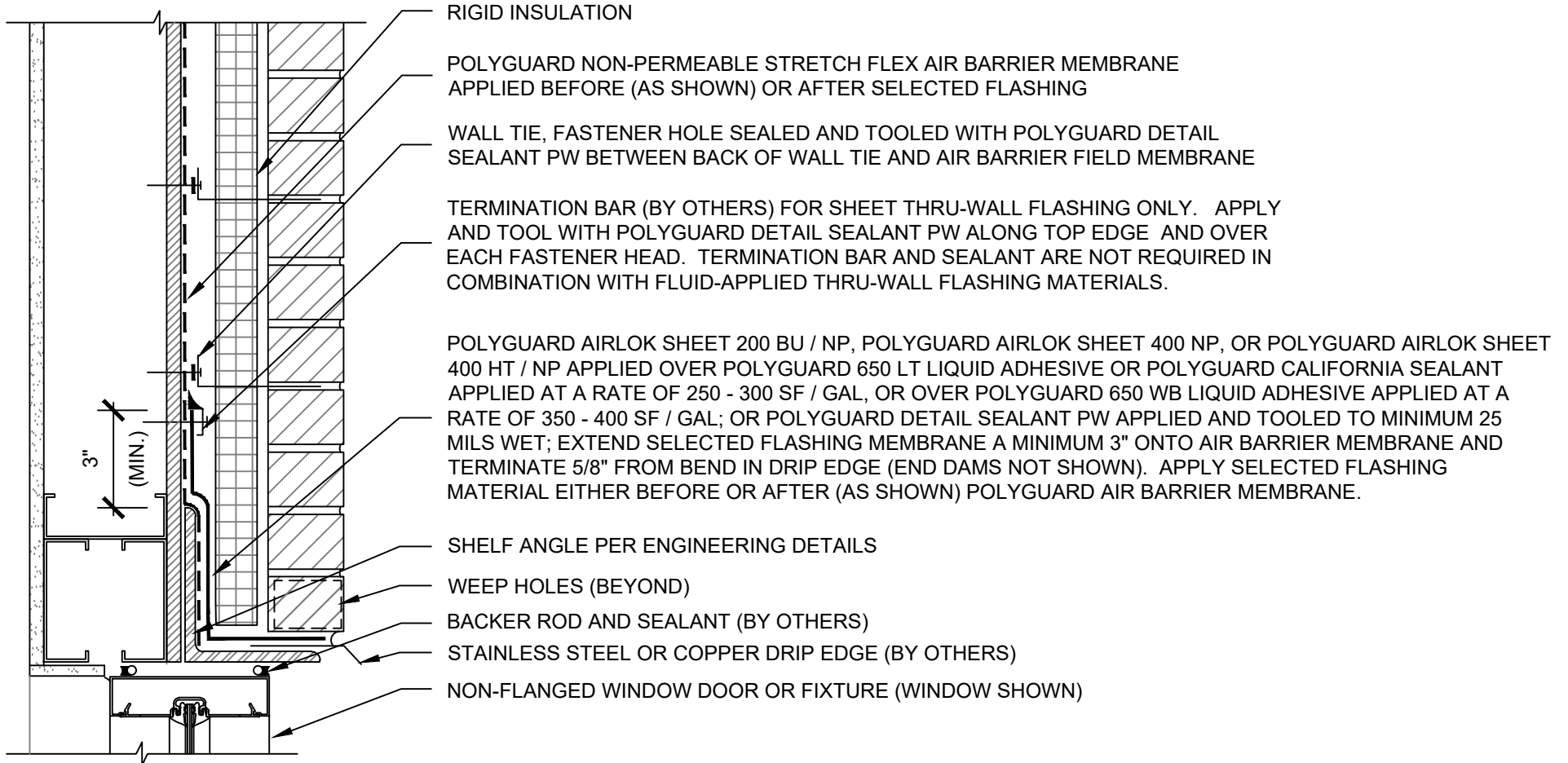
02
SFAG

SECTION @ FRAMED BACKING WALL / MASONRY FINISH - FLOOR TRANSITION

Polyguard Products, Inc.
P.O. Box 755 - Ennis, TX 75120
Phone: 214-515-5000
Web Site - www.polyguard.com

©POLYGUARD PRODUCTS, INC.
MATERIAL SEPARATED FOR CLARITY

<small>The information provided is based on data and knowledge considered to be true and accurate and is offered for the users' consideration, investigation and verification, but we do not warrant the results to be obtained. Please read all data sheets, statements, recommendations or suggestions in conjunction with our conditions of sale, which apply to all goods supplied by us.</small>	NOT TO SCALE
	EFFECTIVE DATE: 07/15/2024
	SUPERCEDES: 05/01/2024



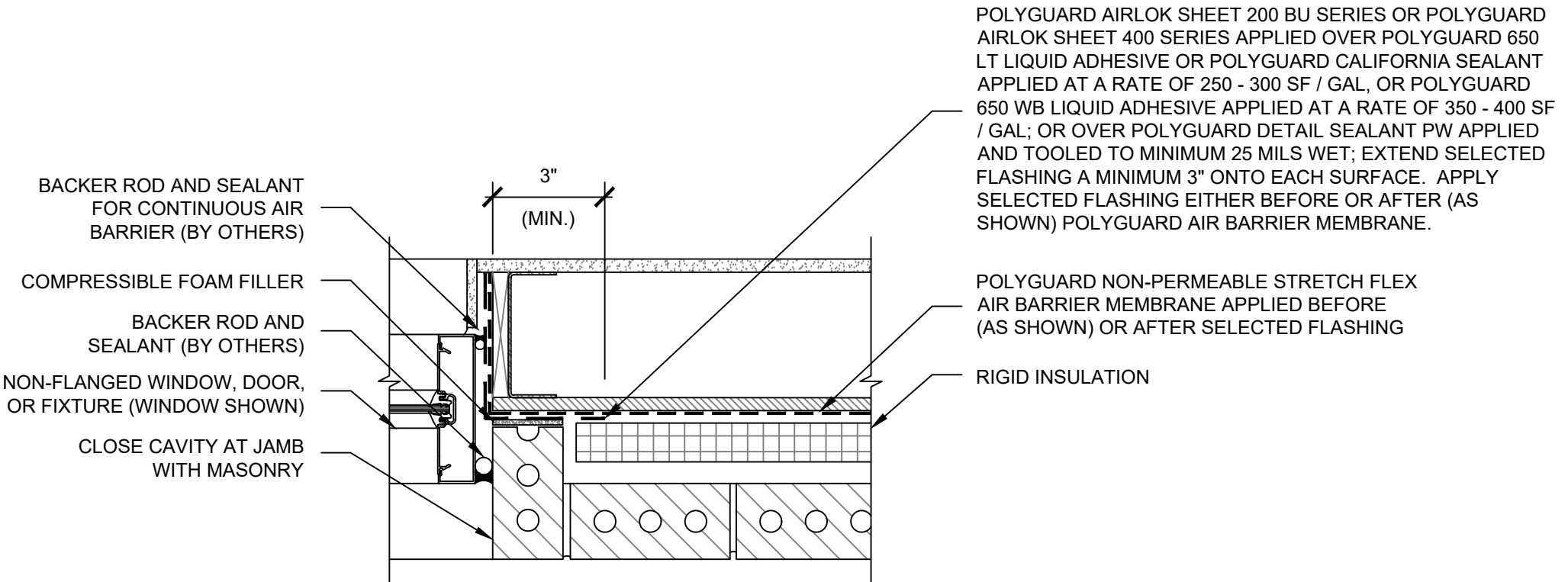
03
SFAG

SECTION @ FRAMED BACKING WALL / MASONRY FINISH - NON-FLANGED WINDOW, DOOR, OR FIXTURE HEAD

Polyguard Products, Inc.
P.O. Box 755 - Ennis, TX 75120
Phone: 214-515-5000
Web Site - www.polyguard.com

©POLYGUARD PRODUCTS, INC.
MATERIAL SEPARATED FOR CLARITY

<small>The information provided is based on data and knowledge considered to be true and accurate and is offered for the users' consideration, investigation and verification, but we do not warrant the results to be obtained. Please read all data sheets, statements, recommendations or suggestions in conjunction with our conditions of sale, which apply to all goods supplied by us.</small>	NOT TO SCALE
	EFFECTIVE DATE: 07/15/2024
	SUPERCEDES: 05/10/2024



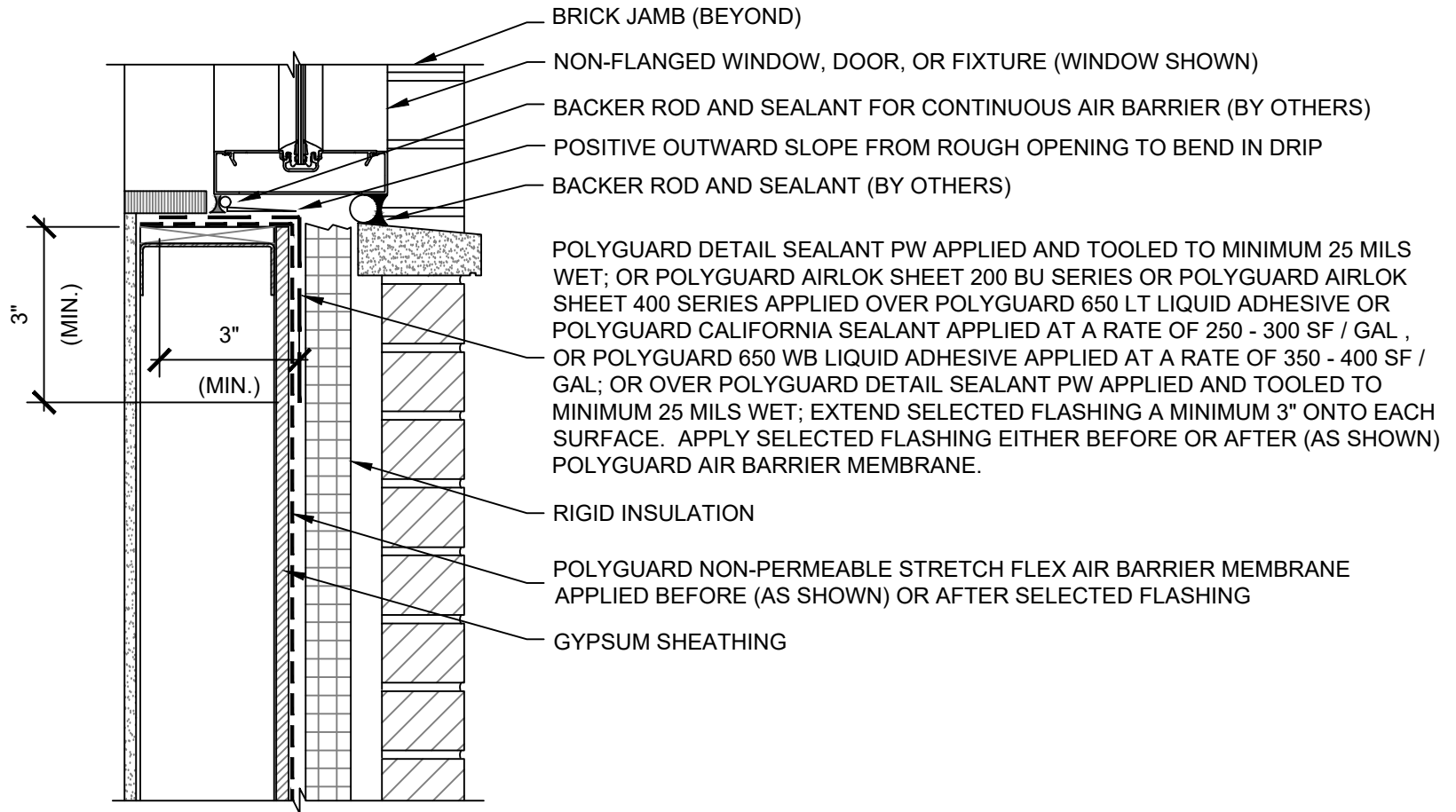
04
SFAG

PLAN @ FRAMED BACKING WALL / MASONRY FINISH - NON-FLANGED WINDOW, DOOR, OR FIXTURE JAMB

Polyguard Products, Inc.
P.O. Box 755 - Ennis, TX 75120
Phone: 214-515-5000
Web Site - www.polyguard.com

©POLYGUARD PRODUCTS, INC.
MATERIAL SEPARATED FOR CLARITY

<small>The information provided is based on data and knowledge considered to be true and accurate and is offered for the users' consideration, investigation and verification, but we do not warrant the results to be obtained. Please read all data sheets, statements, recommendations or suggestions in conjunction with our conditions of sale, which apply to all goods supplied by us.</small>	NOT TO SCALE
	EFFECTIVE DATE: 07/15/2024
	SUPERCEDES: 05/10/2024



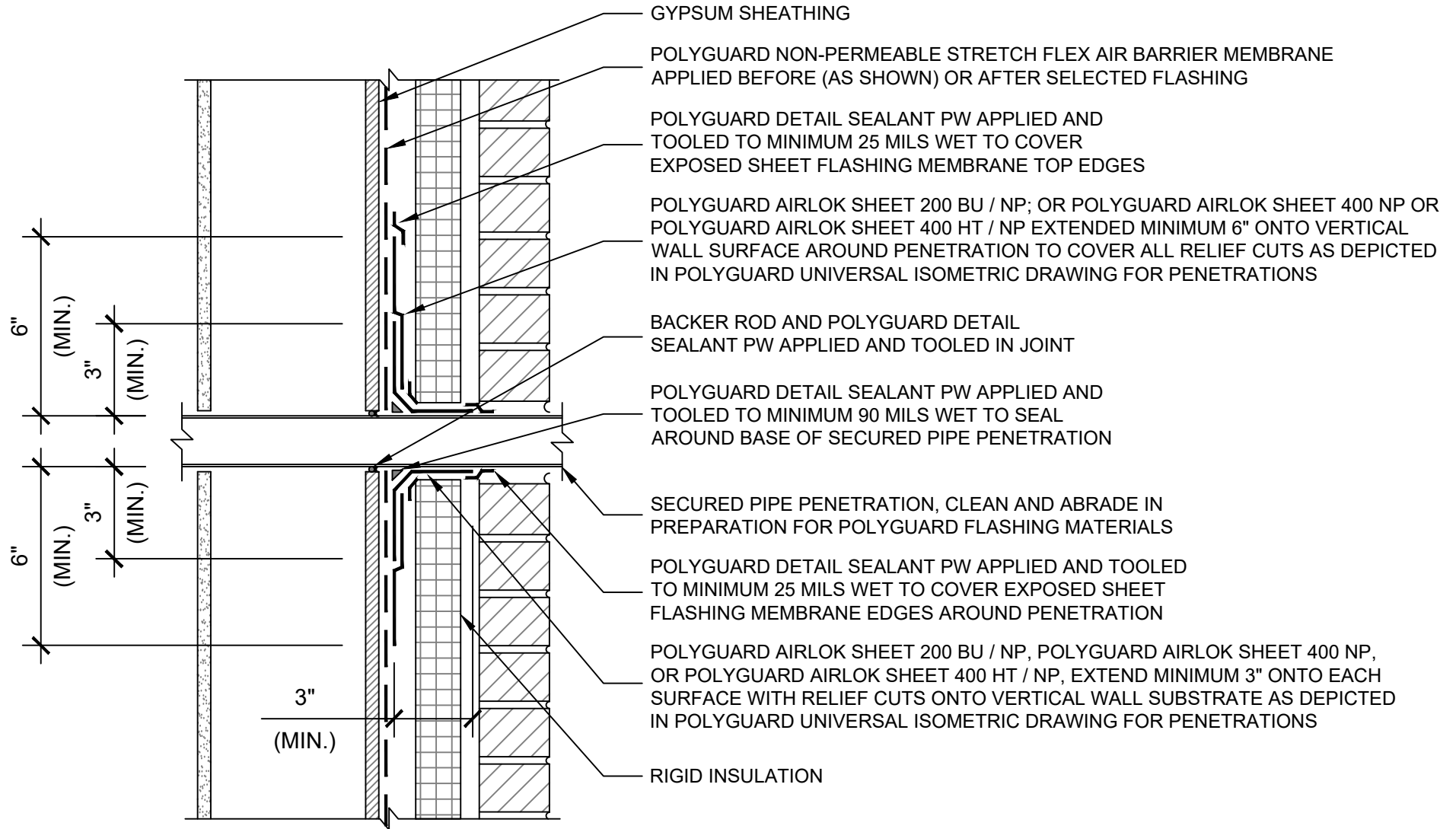
05
SFAG

SECTION @ FRAMED BACKING WALL / MASONRY FINISH - NON-FLANGED WINDOW, DOOR, OR FIXTURE SILL

Polyguard Products, Inc.
P.O. Box 755 - Ennis, TX 75120
Phone: 214-515-5000
Web Site - www.polyguard.com

©POLYGUARD PRODUCTS, INC.
MATERIAL SEPARATED FOR CLARITY

<small>The information provided is based on data and knowledge considered to be true and accurate and is offered for the users' consideration, investigation and verification, but we do not warrant the results to be obtained. Please read all data sheets, statements, recommendations or suggestions in conjunction with our conditions of sale, which apply to all goods supplied by us.</small>	NOT TO SCALE
	EFFECTIVE DATE: 07/15/2024
	SUPERCEDES: 05/10/2024

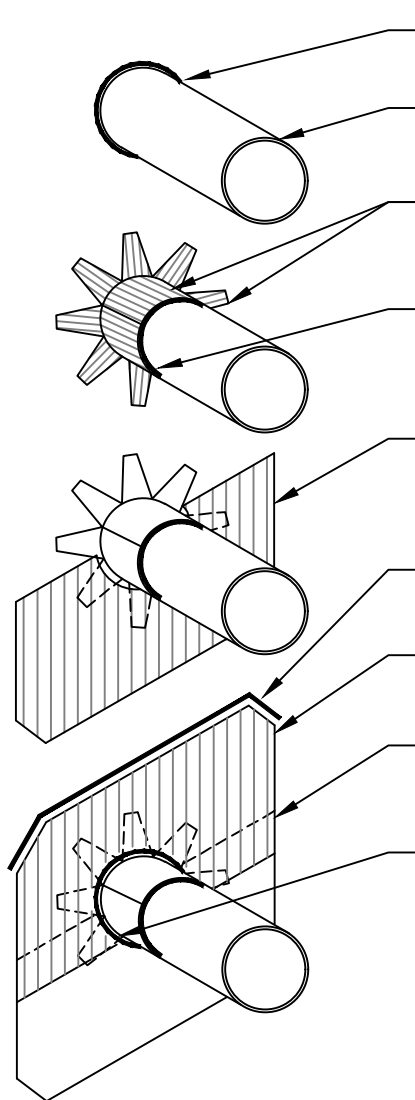


06A SECTION @ FRAMED BACKING WALL / MASONRY FINISH - UNIVERSAL SHEET FLASHING FOR PENETRATIONS
SFAG

Polyguard Products, Inc.
P.O. Box 755 - Ennis, TX 75120
Phone: 214-515-5000
Web Site - www.polyguard.com

©POLYGUARD PRODUCTS, INC.
MATERIAL SEPARATED FOR CLARITY

<small>The information provided is based on data and knowledge considered to be true and accurate and is offered for the users' consideration, investigation and verification, but we do not warrant the results to be obtained. Please read all data sheets, statements, recommendations or suggestions in conjunction with our conditions of sale, which apply to all goods supplied by us.</small>	NOT TO SCALE
	EFFECTIVE DATE: 07/15/2024
	SUPERCEDES: 05/10/2024



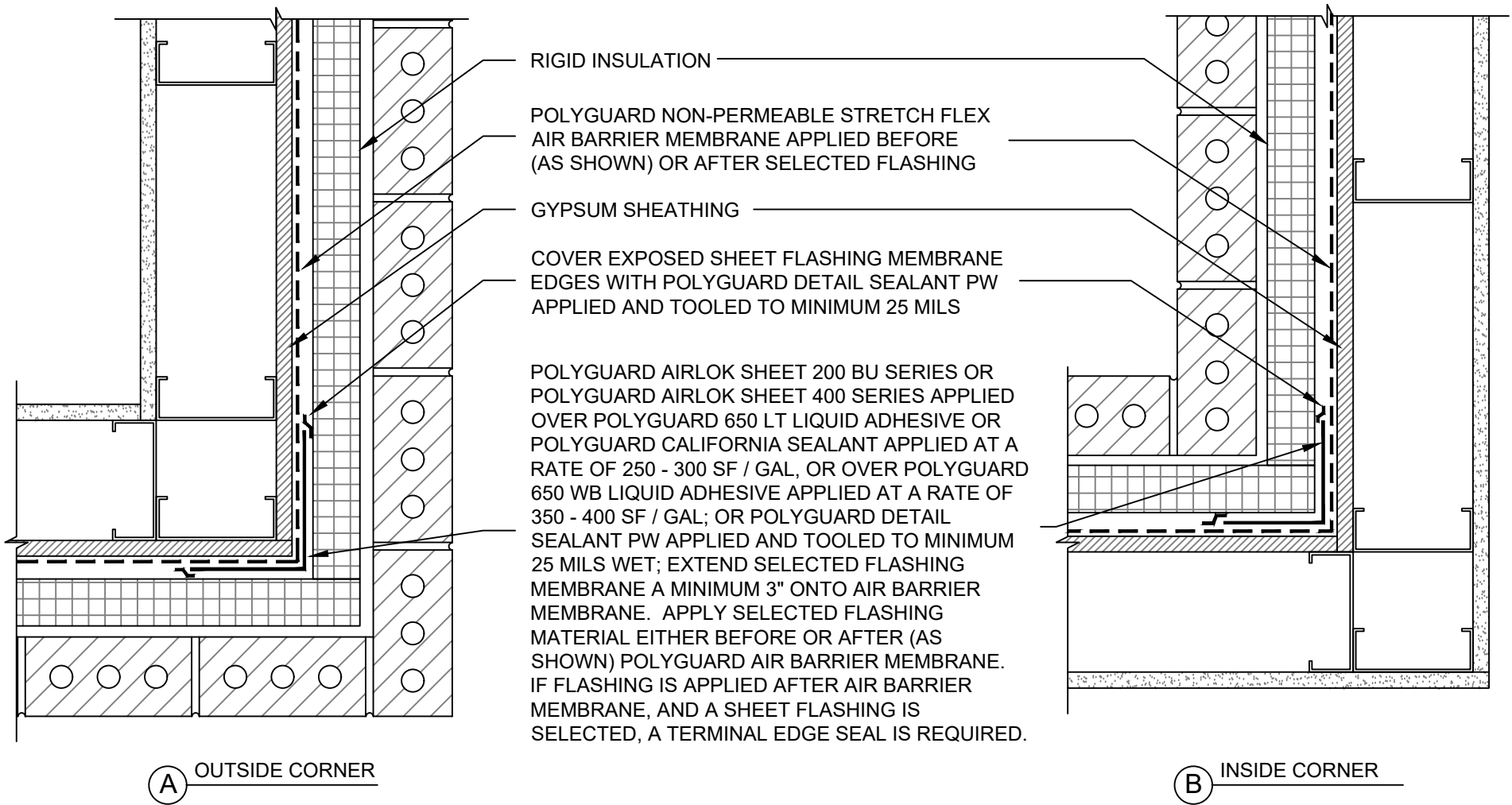
- (2) POLYGUARD DETAIL SEALANT PW APPLIED AND TOOLED TO MINIMUM 90 MILS WET TO SEAL AROUND BASE OF SECURED PIPE PENETRATION
- (1) SECURED PIPE PENETRATION, CLEAN AND ABRAD IN PREPARATION FOR POLYGUARD FLASHING MATERIALS
- (3) FIRST PIECE: HIGH-TECH-CUT PIECE OF POLYGUARD AIRLOK SHEET 200 BU / NP, POLYGUARD AIRLOK SHEET 400 NP, OR POLYGUARD AIRLOK SHEET 400 HT / NP, EXTEND MINIMUM 3" ONTO EACH SURFACE WITH RELIEF CUTS ONTO VERTICAL WALL
- (4) POLYGUARD DETAIL SEALANT PW APPLIED AND TOOLED TO MINIMUM 25 MILS TO COVER EXPOSED SHEET FLASHING MEMBRANE EDGE AROUND PENETRATION
- (5) SECOND PIECE: POLYGUARD AIRLOK SHEET 200 BU / NP, POLYGUARD AIRLOK SHEET 400 NP, OR POLYGUARD AIRLOK SHEET 400 HT / NP, EXTEND MINIMUM 6" ONTO VERTICAL WALL SURFACE AROUND PENETRATION TO COVER ALL RELIEF CUTS AND EXTEND MINIMUM 3" BEYOND RELIEF CUTS. PROVIDE ROUNDED OUTSIDE CORNERS
- (8) POLYGUARD DETAIL SEALANT PW APPLIED AND TOOLED TO MINIMUM 25 MILS WET TO COVER EXPOSED SHEET FLASHING MEMBRANE TOP EDGES
- (7) PROVIDE FILLET / ROUNDED EDGES ON SHEET FLASHING EXPOSED OUTSIDE CORNERS
- (6) THIRD PIECE: POLYGUARD AIRLOK SHEET 200 BU / NP, POLYGUARD AIRLOK SHEET 400 NP, OR POLYGUARD AIRLOK SHEET 400 HT / NP, EXTEND MINIMUM 6" ONTO VERTICAL WALL SURFACE AROUND PENETRATION TO COVER ALL RELIEF CUTS AND EXTEND MINIMUM 3" BEYOND RELIEF CUTS
- (9) POLYGUARD DETAIL SEALANT PW APPLIED AND TOOLED TO MINIMUM 25 MILS TO COVER SHEET FLASHING MEMBRANE EDGES AROUND SECURED PENETRATION

GENERAL NOTE: POLYGUARD NON-PERMEABLE STRETCH FLEX AIR BARRIER MEMBRANE APPLIED BEFORE OR AFTER SELECTED FLASHING

06B

SFAG

ISOMETRIC @ UNIVERSAL SHEET FLASHING FOR PENETRATIONS



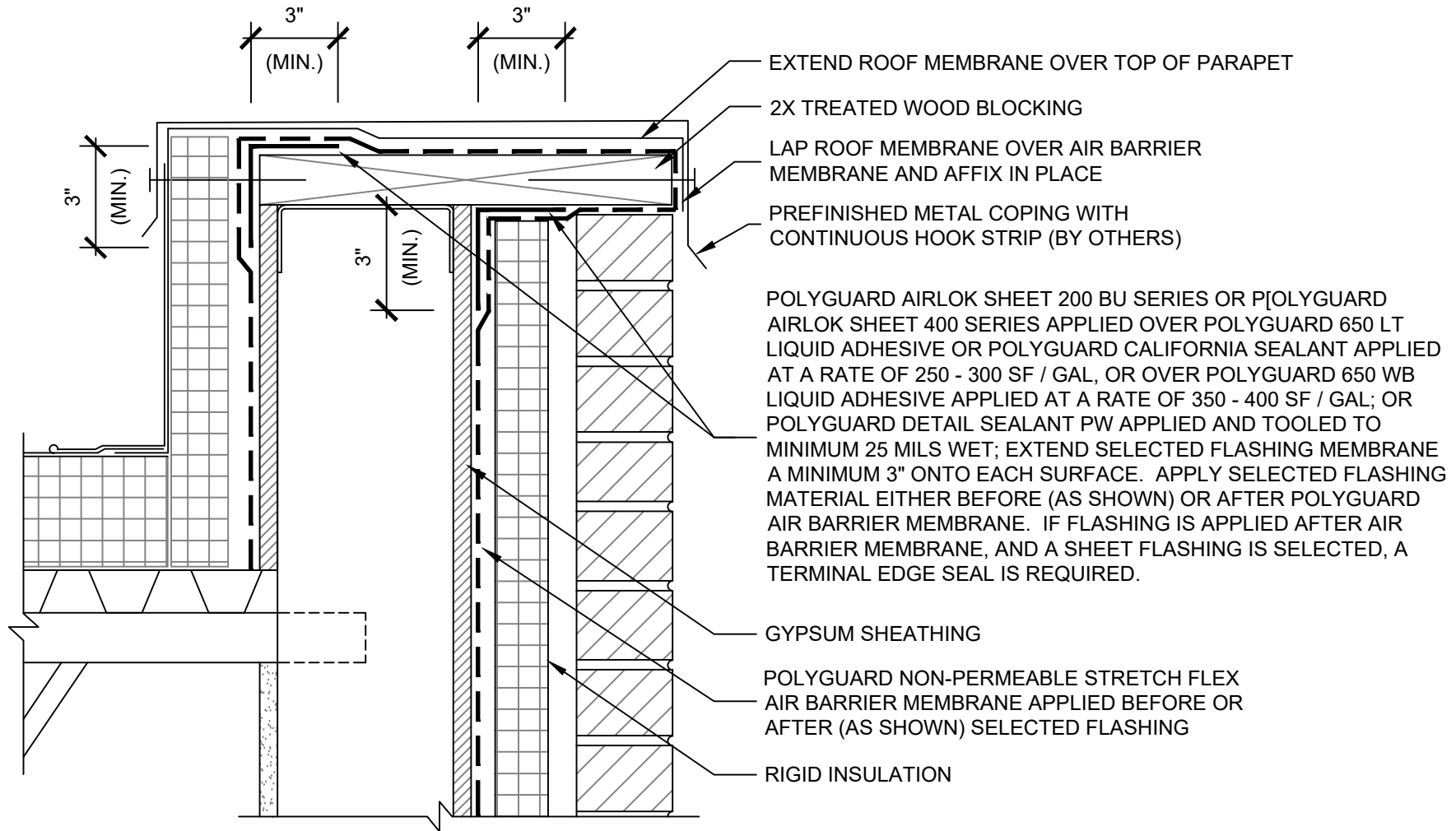
07
SFAG

PLAN @ FRAMED BACKING WALL / MASONRY FINISH - CORNER DETAILS

Polyguard Products, Inc.
P.O. Box 755 - Ennis, TX 75120
Phone: 214-515-5000
Web Site - www.polyguard.com

©POLYGUARD PRODUCTS, INC.
MATERIAL SEPARATED FOR CLARITY

<small>The information provided is based on data and knowledge considered to be true and accurate and is offered for the users' consideration, investigation and verification, but we do not warrant the results to be obtained. Please read all data sheets, statements, recommendations or suggestions in conjunction with our conditions of sale, which apply to all goods supplied by us.</small>	NOT TO SCALE
	EFFECTIVE DATE: 07/15/2024
	SUPERCEDES: 05/10/2024



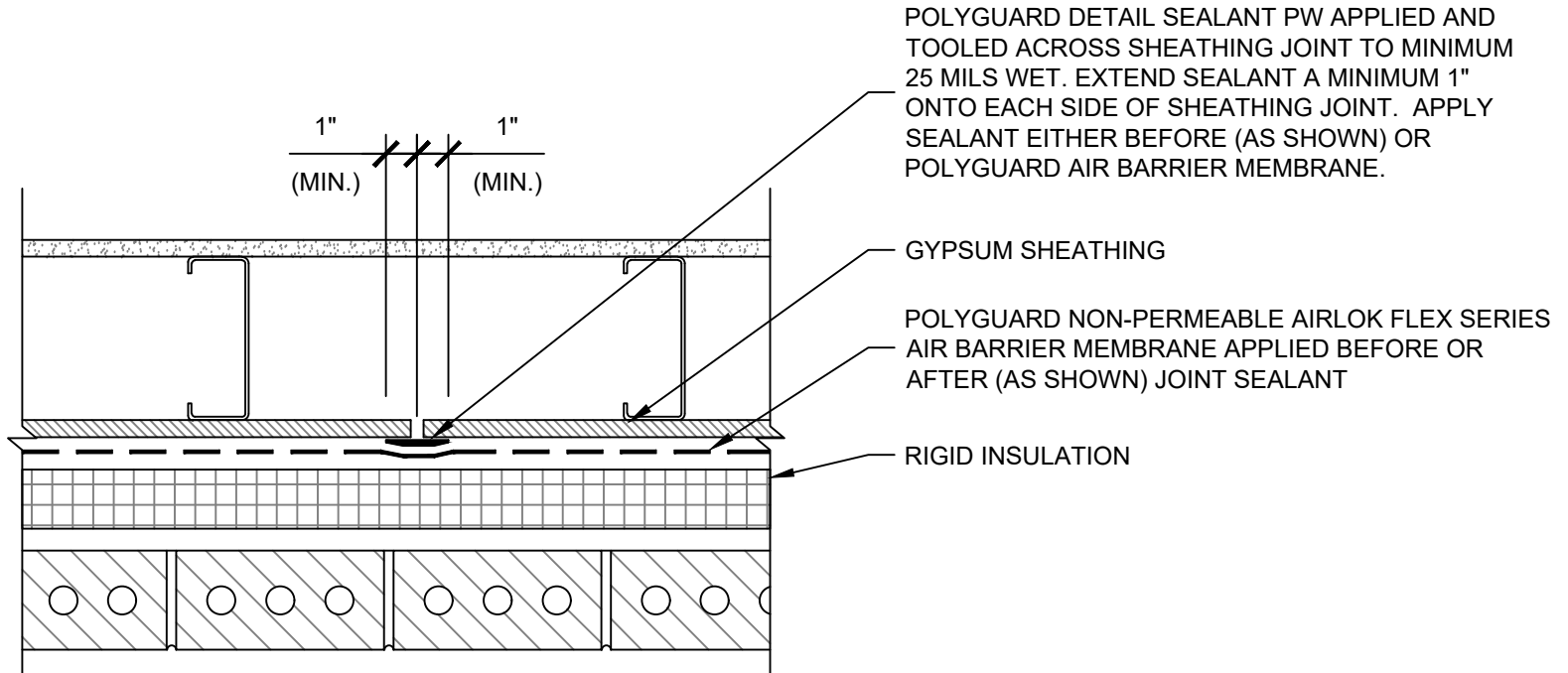
08
SFAG

SECTION @ FRAMED BACKING WALL / MASONRY FINISH - PARAPET

Polyguard Products, Inc.
P.O. Box 755 - Ennis, TX 75120
Phone: 214-515-5000
Web Site - www.polyguard.com

©POLYGUARD PRODUCTS, INC.
MATERIAL SEPARATED FOR CLARITY

<p>The information provided is based on data and knowledge considered to be true and accurate and is offered for the users' consideration, investigation and verification, but we do not warrant the results to be obtained. Please read all data sheets, statements, recommendations or suggestions in conjunction with our conditions of sale, which apply to all goods supplied by us.</p>	NOT TO SCALE
	EFFECTIVE DATE: 07/15/2024
	SUPERCEDES: 05/10/2024



09
SFAG

PLAN @ FRAMED BACKING WALL / MASONRY FINISH - SUBSTRATE JOINT

Polyguard Products, Inc.
P.O. Box 755 - Ennis, TX 75120
Phone: 214-515-5000
Web Site - www.polyguard.com

©POLYGUARD PRODUCTS, INC.
MATERIAL SEPARATED FOR CLARITY

<small>The information provided is based on data and knowledge considered to be true and accurate and is offered for the users' consideration, investigation and verification, but we do not warrant the results to be obtained. Please read all data sheets, statements, recommendations or suggestions in conjunction with our conditions of sale, which apply to all goods supplied by us.</small>	NOT TO SCALE
	EFFECTIVE DATE: 07/15/2024
	SUPERCEDES: 05/10/2024

BACKER ROD AND POLYGUARD DETAIL SEALANT PW APPLIED AND TOOLED IN JOINT

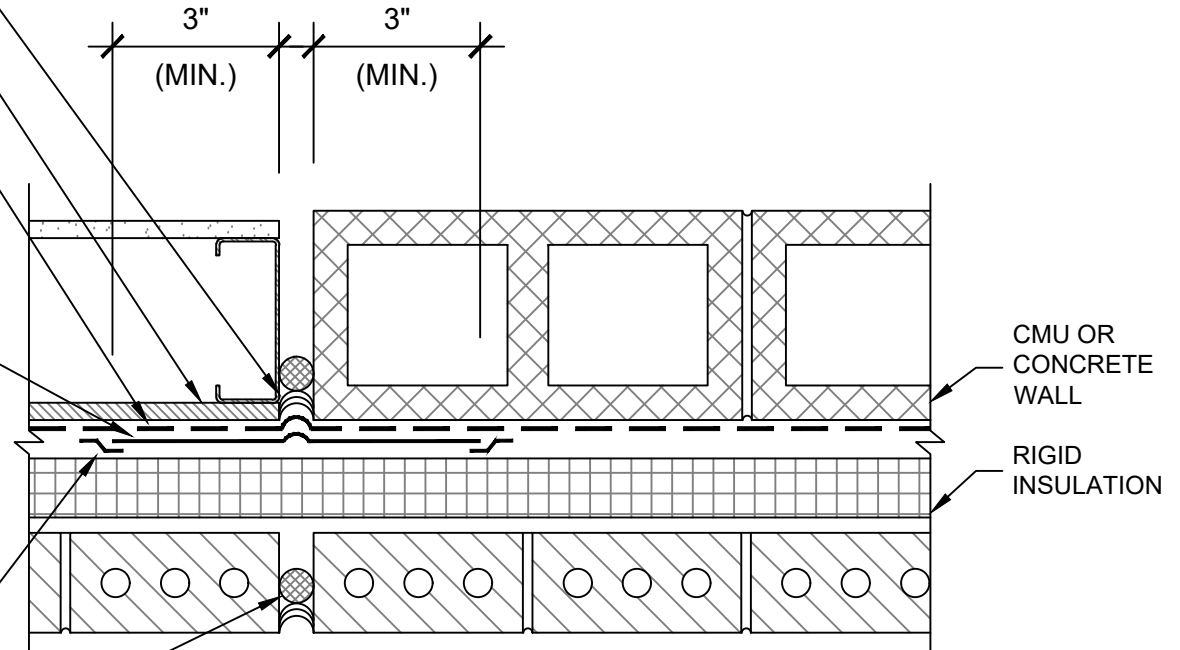
GYPSUM SHEATHING

POLYGUARD NON-PERMEABLE STRETCH FLEX AIR BARRIER MEMBRANE APPLIED BEFORE (AS SHOWN) OR AFTER SELECTED FLASHING

POLYGUARD AIRLOK SHEET 200 BU / NP SERIES OR POLYGUARD AIRLOK SHEET 400 NP SERIES APPLIED OVER POLYGUARD 650 LT LIQUID ADHESIVE OR POLYGUARD CALIFORNIA SEALANT APPLIED AT A RATE OF 250 - 300 SF / GAL, OR OVER POLYGUARD 650 WB LIQUID ADHESIVE APPLIED AT A RATE OF 350 - 400 SF / GAL. EXTEND SELECTED FLASHING MEMBRANE A MINIMUM 3" ONTO EACH SIDE OF JOINT. APPLY SELECTED FLASHING MATERIAL EITHER BEFORE OR AFTER (AS SHOWN) POLYGUARD AIR BARRIER MEMBRANE.

COVER EXPOSED SHEET FLASHING MEMBRANE EDGES WITH POLYGUARD DETAIL SEALANT PW APPLIED AND TOOLED TO MINIMUM 25 MILS

BACKER ROD AND SEALANT (BY OTHERS)



10
SFAG

PLAN @ FRAMED BACKING WALL / MASONRY FINISH - TRANSITION JOINT

Polyguard Products, Inc.
P.O. Box 755 - Ennis, TX 75120
Phone: 214-515-5000
Web Site - www.polyguard.com

©POLYGUARD PRODUCTS, INC.
MATERIAL SEPARATED FOR CLARITY

<p>The information provided is based on data and knowledge considered to be true and accurate and is offered for the users' consideration, investigation and verification, but we do not warrant the results to be obtained. Please read all data sheets, statements, recommendations or suggestions in conjunction with our conditions of sale, which apply to all goods supplied by us.</p>	NOT TO SCALE
	EFFECTIVE DATE: 07/15/2024
	SUPERCEDES: 05/10/2024

BACKER ROD AND POLYGUARD DETAIL SEALANT PW APPLIED AND TOOLED IN JOINT

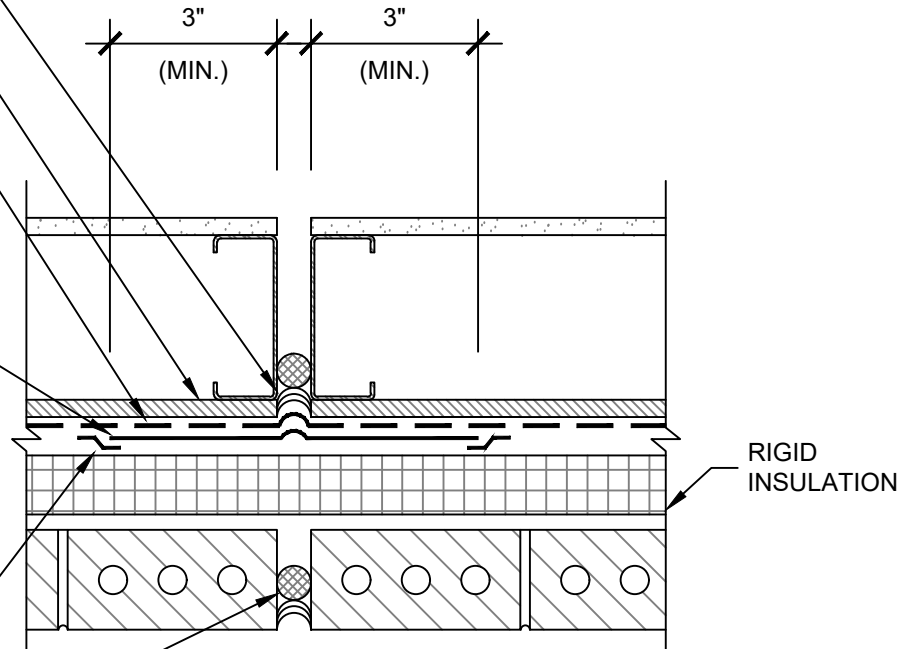
GYPSUM SHEATHING

POLYGUARD NON-PERMEABLE STRETCH FLEX AIR BARRIER MEMBRANE APPLIED BEFORE (AS SHOWN) OR AFTER SELECTED FLASHING

POLYGUARD AIRLOK SHEET 200 BU / NP SERIES OR POLYGUARD AIRLOK SHEET 400 NP SERIES APPLIED OVER POLYGUARD 650 LT LIQUID ADHESIVE OR POLYGUARD CALIFORNIA SEALANT APPLIED AT A RATE OF 250 - 300 SF / GAL, OR OVER POLYGUARD 650 WB LIQUID ADHESIVE APPLIED AT A RATE OF 350 - 400 SF / GAL. EXTEND SELECTED FLASHING MEMBRANE A MINIMUM 3" ONTO EACH SIDE OF JOINT. APPLY SELECTED FLASHING MATERIAL EITHER BEFORE OR AFTER (AS SHOWN) POLYGUARD AIR BARRIER MEMBRANE.

COVER EXPOSED SHEET FLASHING MEMBRANE EDGES WITH POLYGUARD DETAIL SEALANT PW APPLIED AND TOOLED TO MINIMUM 25 MILS WET

BACKER ROD AND SEALANT (BY OTHERS)



11
SFAG

PLAN @ FRAMED BACKING WALL / MASONRY FINISH - EXPANSION / CONTROL JOINT

Polyguard Products, Inc.
P.O. Box 755 - Ennis, TX 75120
Phone: 214-515-5000
Web Site - www.polyguard.com

©POLYGUARD PRODUCTS, INC.
MATERIAL SEPARATED FOR CLARITY

<p>The information provided is based on data and knowledge considered to be true and accurate and is offered for the users' consideration, investigation and verification, but we do not warrant the results to be obtained. Please read all data sheets, statements, recommendations or suggestions in conjunction with our conditions of sale, which apply to all goods supplied by us.</p>	NOT TO SCALE
	EFFECTIVE DATE: 07/15/2024
	SUPERCEDES: 05/10/2024