

- WOOD STUD FRAMING
- CONCRETE FOUNDATION WALL
- POLYGUARD TRM SEALANT APPLIED AND TOOLED TO MINIMUM 90 MILS OVER AND ALONG METAL COUNTER FLASHING TOP EDGE, AS WELL AS OVER EACH FASTENER HEAD
- POWDER ACTUATED FASTENER (BY OTHERS)
- POLYGUARD TRM FLASHING OR TRM UV2-40 FLASHING, CUT BACK 1/2" FROM EDGE
- POLYGUARD TRM SEALANT 1/2" BEAD CAULKED ON TOP OF TRM FLASHING
- METAL COUNTER FLASHING (BY OTHERS)
- POLYGUARD 650 TRM OVER CLEAN, DRY, FROST-FREE CONCRETE FOUNDATION WALL PREPARED WITH POLYGUARD 650 LT LIQUID ADHESIVE OR CALIFORNIA SEALANT APPLIED AT A RATE OF 250 - 300 SF / GAL, OR OVER 650 WB LIQUID ADHESIVE APPLIED AT A RATE OF 350 - 400 SF / GAL
- GROUT FILLED CAVITY
- POLYGUARD LM-95 OR DETAIL SEALANT PW APPLIED AND TOOLED OVER CLEAN AND DRY CONCRETE TO MINIMUM 3/4" CANT / FILLET
- BRICK OR MASONRY VENEER
- POLYGUARD 650 TRM STRIP, OR TRM FLASHING, APPLIED OVER ALL INSIDE AND OUTSIDE CORNERS; APPLY OVER CLEAN, DRY, FROST-FREE SUBSTRATES PREPARED WITH POLYGUARD 650 LT LIQUID ADHESIVE OR CALIFORNIA SEALANT APPLIED AT A RATE OF 250 - 300 SF / GAL, OR OVER 650 WB LIQUID ADHESIVE APPLIED AT A RATE OF 350 - 400 SF / GAL

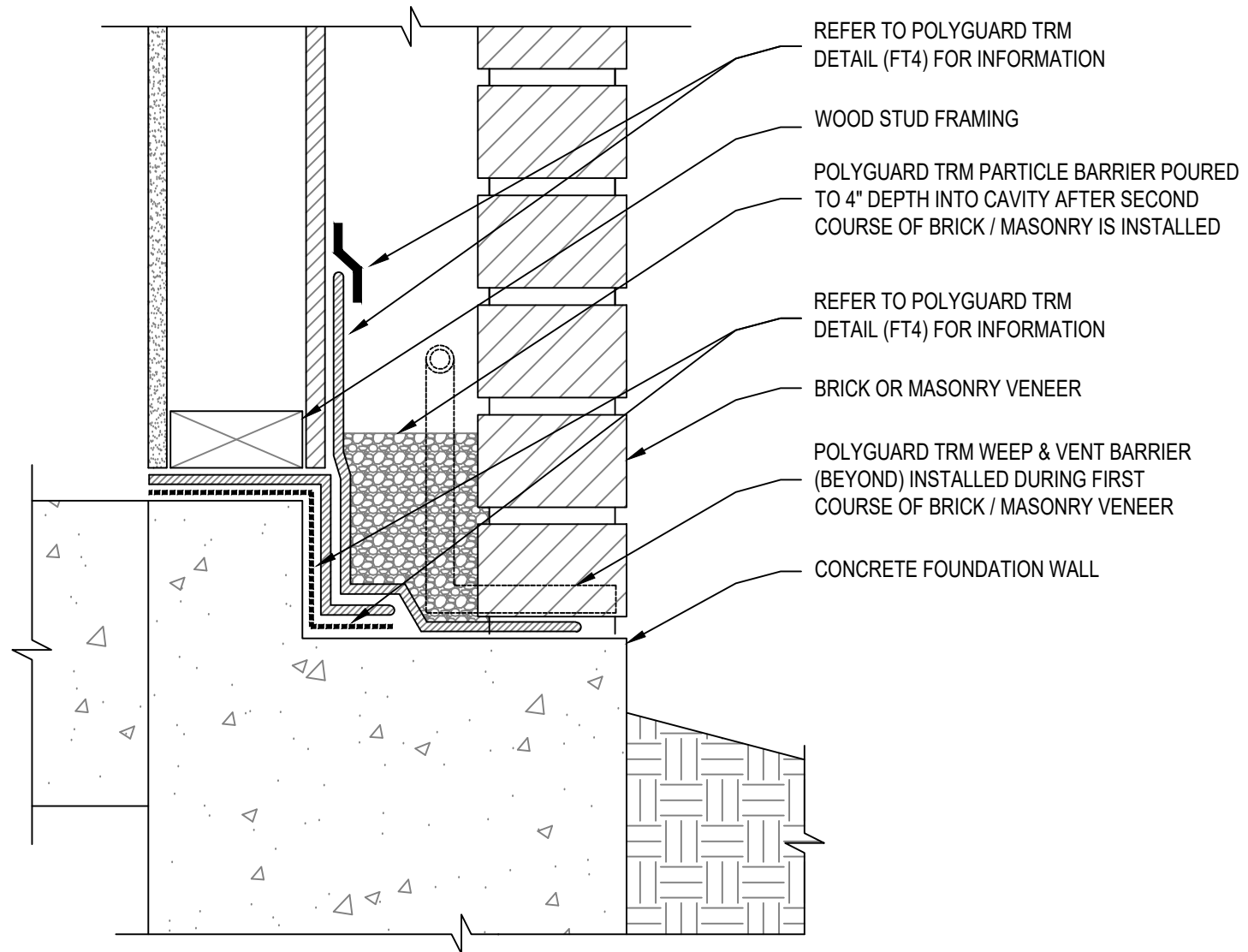
**AT1**

**SECTION @ TRM FLASHING - THRU-WALL FLASHING INSTALLATION**

**GENERAL NOTE: IF ADHESIVE IS REQUIRED FOR SEAMS OR END LAPS, DO NOT USE POLYGUARD 650 WB LIQUID ADHESIVE.**

MATERIAL SEPARATED FOR CLARITY  
© POLYGUARD PRODUCTS, INC.

<small>The information provided is based on data and knowledge considered to be true and accurate and is offered for the users' consideration, investigation and verification, but we do not warrant the results to be obtained. Please read all data sheets, statements, recommendations or suggestions in conjunction with our conditions of sale, which apply to all goods supplied by us.</small>	NOT TO SCALE
	EFFECTIVE DATE: 01/06/2025
	SUPERCEDES: 11/08/2018



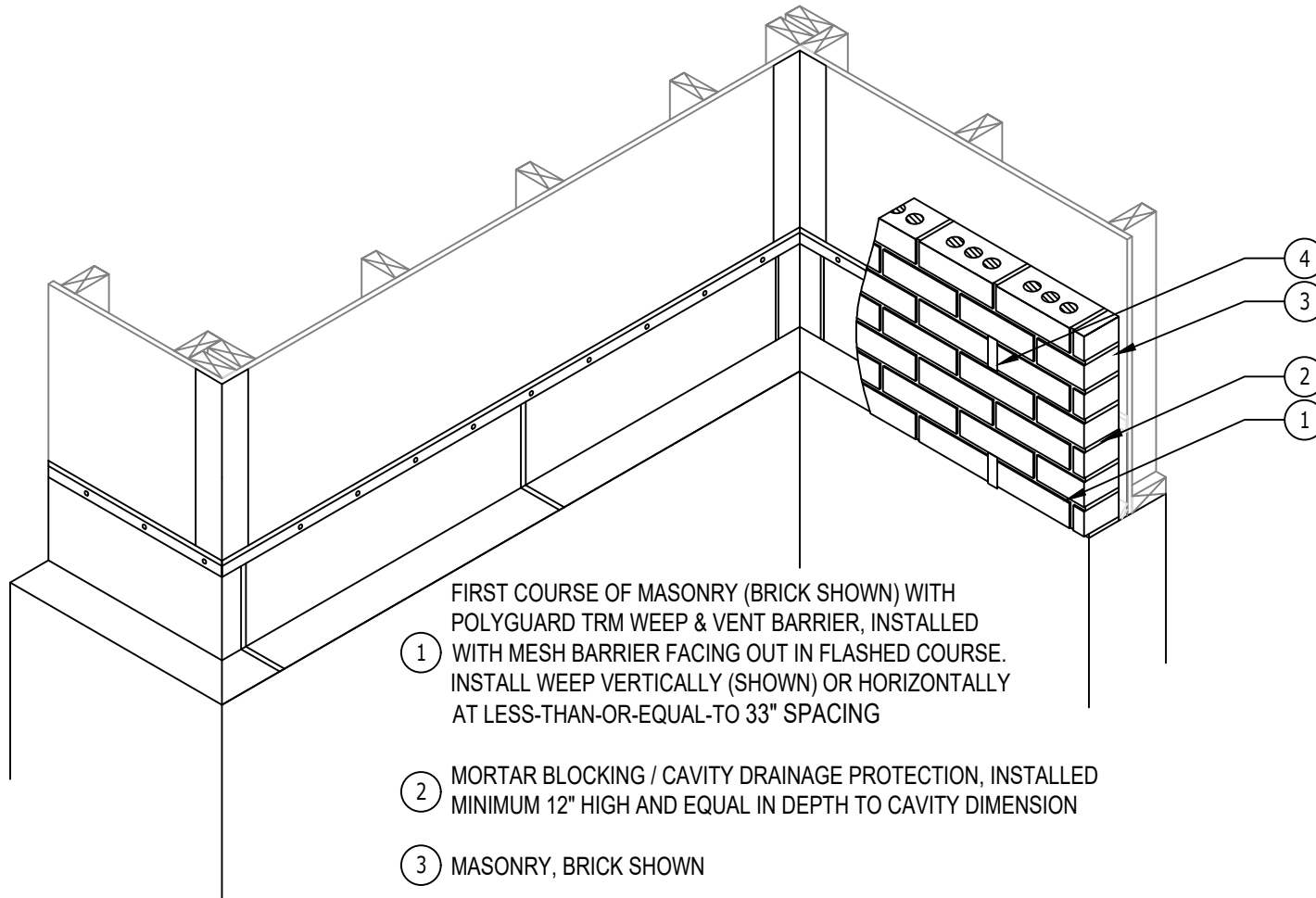
**AT2**

**SECTION @ TRM WEEP & VENT BARRIER - MASONRY WALL**

**GENERAL NOTE: IF ADHESIVE IS REQUIRED FOR SEAMS OR END LAPS, DO NOT USE POLYGUARD 650 WB LIQUID ADHESIVE.**

**MATERIAL SEPARATED FOR CLARITY  
© POLYGUARD PRODUCTS, INC.**

<p>The information provided is based on data and knowledge considered to be true and accurate and is offered for the users' consideration, investigation and verification, but we do not warrant the results to be obtained. Please read all data sheets, statements, recommendations or suggestions in conjunction with our conditions of sale, which apply to all goods supplied by us.</p>	NOT TO SCALE
	EFFECTIVE DATE: 01/06/2025
	SUPERCEDES: 10/02/2018

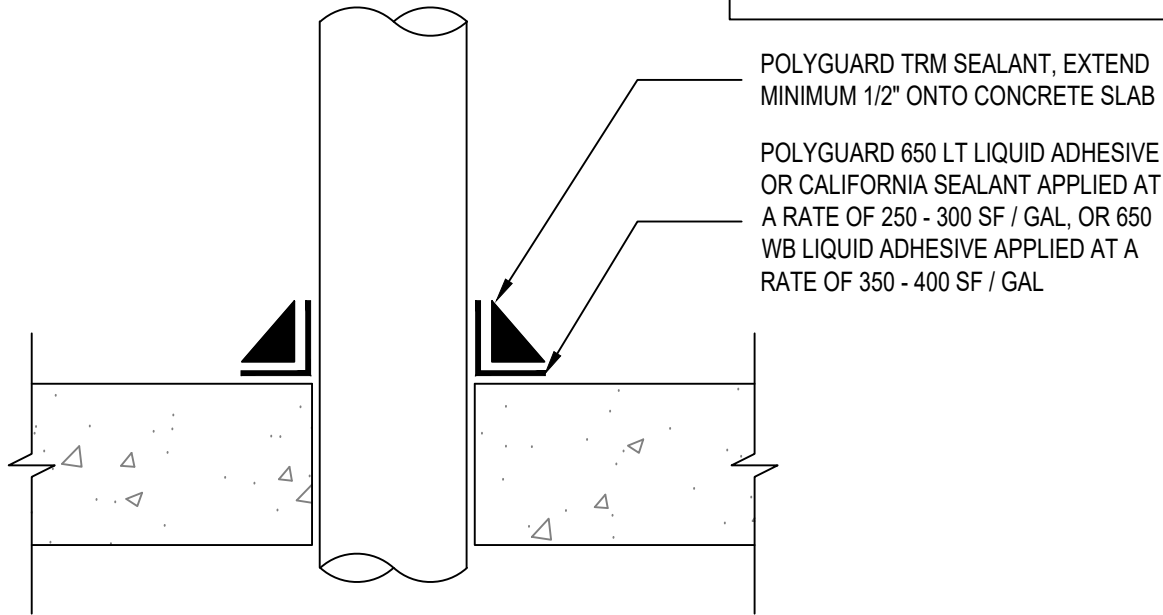


- ① FIRST COURSE OF MASONRY (BRICK SHOWN) WITH POLYGUARD TRM WEEP & VENT BARRIER, INSTALLED WITH MESH BARRIER FACING OUT IN FLASHED COURSE. INSTALL WEEP VERTICALLY (SHOWN) OR HORIZONTALLY AT LESS-THAN-OR-EQUAL-TO 33" SPACING
- ② MORTAR BLOCKING / CAVITY DRAINAGE PROTECTION, INSTALLED MINIMUM 12" HIGH AND EQUAL IN DEPTH TO CAVITY DIMENSION
- ③ MASONRY, BRICK SHOWN
- ④ POLYGUARD TRM WEEP & VENT BARRIER, INSTALLED WITH MESH SIDE FACING OUT INTO MASONRY COURSE CLOSEST TO 12" ABOVE BASE FLASHING COURSE

**AT3**

**ISOMETRIC @ TRM WEEP & VENT BARRIER - MASONRY WALL**

**NOTE:** POLYGUARD TRM SEALANT APPLIED TO ABOVE-SLAB PENETRATIONS IS RECOMMENDED TO BE APPLIED BY A LICENSED PEST MANAGEMENT PROFESSIONAL

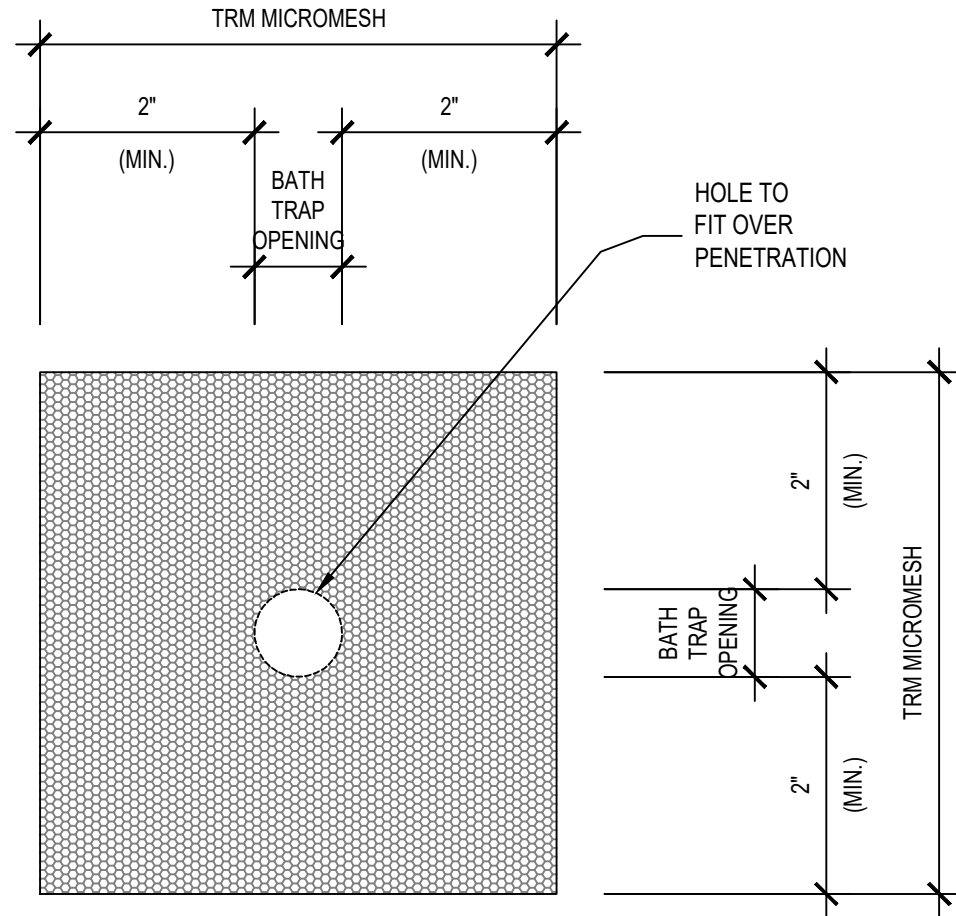


**AT4** SECTION @ TRM SEALANT - PENETRATION

<small>The information provided is based on data and knowledge considered to be true and accurate and is offered for the users' consideration, investigation and verification, but we do not warrant the results to be obtained. Please read all data sheets, statements, recommendations or suggestions in conjunction with our conditions of sale, which apply to all goods supplied by us.</small>	NOT TO SCALE
	EFFECTIVE DATE: 01/06/2025
	SUPERCEDES: 03/15/2019

**STEPS:**

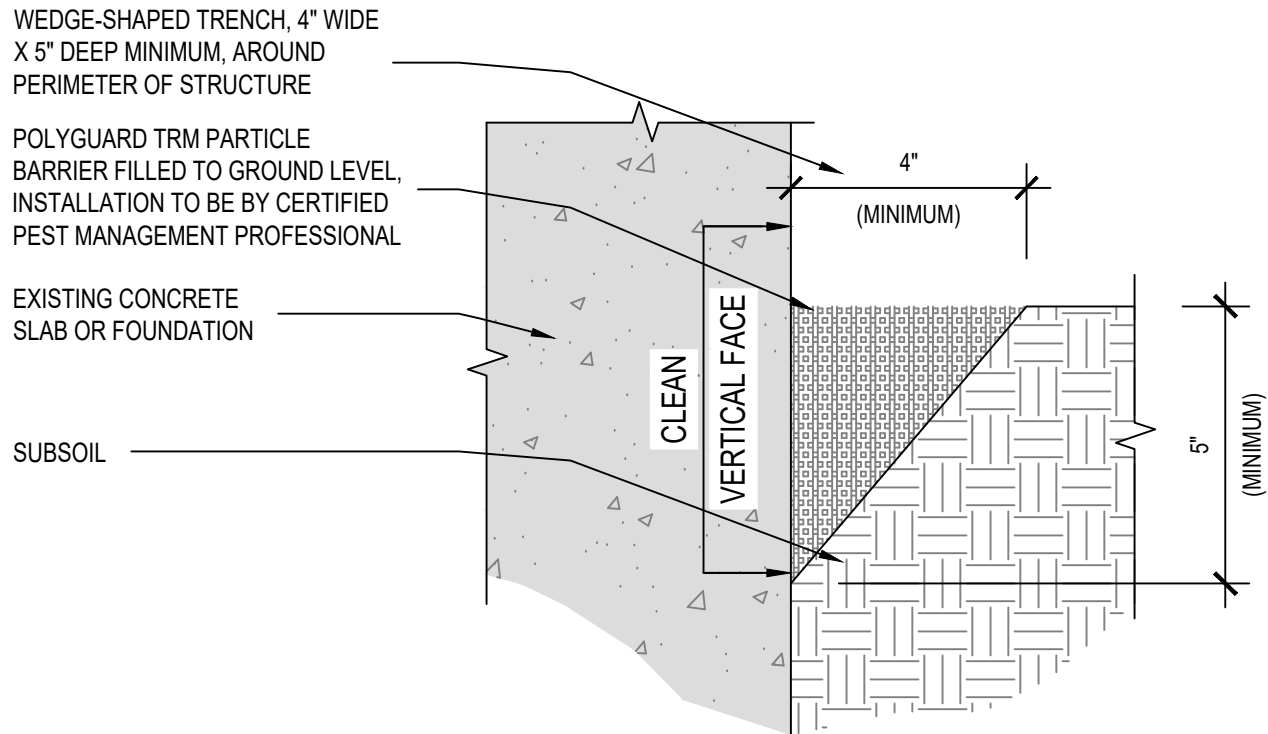
- 1) MEASURE BATH TRAP OPENING, ADDING 2" ON EVERY SIDE.
- 2) CUT A SECTION OF TRM MICROMESH TO FIT OVER BATH TRAP WITH A 2" OVERLAP ONTO CONCRETE ON EVERY SIDE.
- 3) PLACE WIRE SCREEN ON TOP OF BATH TRAP PENETRATION, MAINTAINING 2" OVERLAP ONTO CONCRETE ON EVERY SIDE.
- 4) USING A MALLET, MAKE A CIRCULAR INDENTATION IN SCREEN OF PENETRATION OUTLINE.
- 5) USING A BOX CUTTER AND WIRE SHEERS, AND USING INDENTION AS A GUIDE, CUT A HOLE IN WIRE SCREEN.
- 6) TEST FIT WIRE SECTION OVER PENETRATION; ADJUST HOLE SIZE, IF NECESSARY.



**AT5**

**SECTION @ TRM MICROMESH - FABRICATION SUB-ASSEMBLY FOR BATH TRAP**

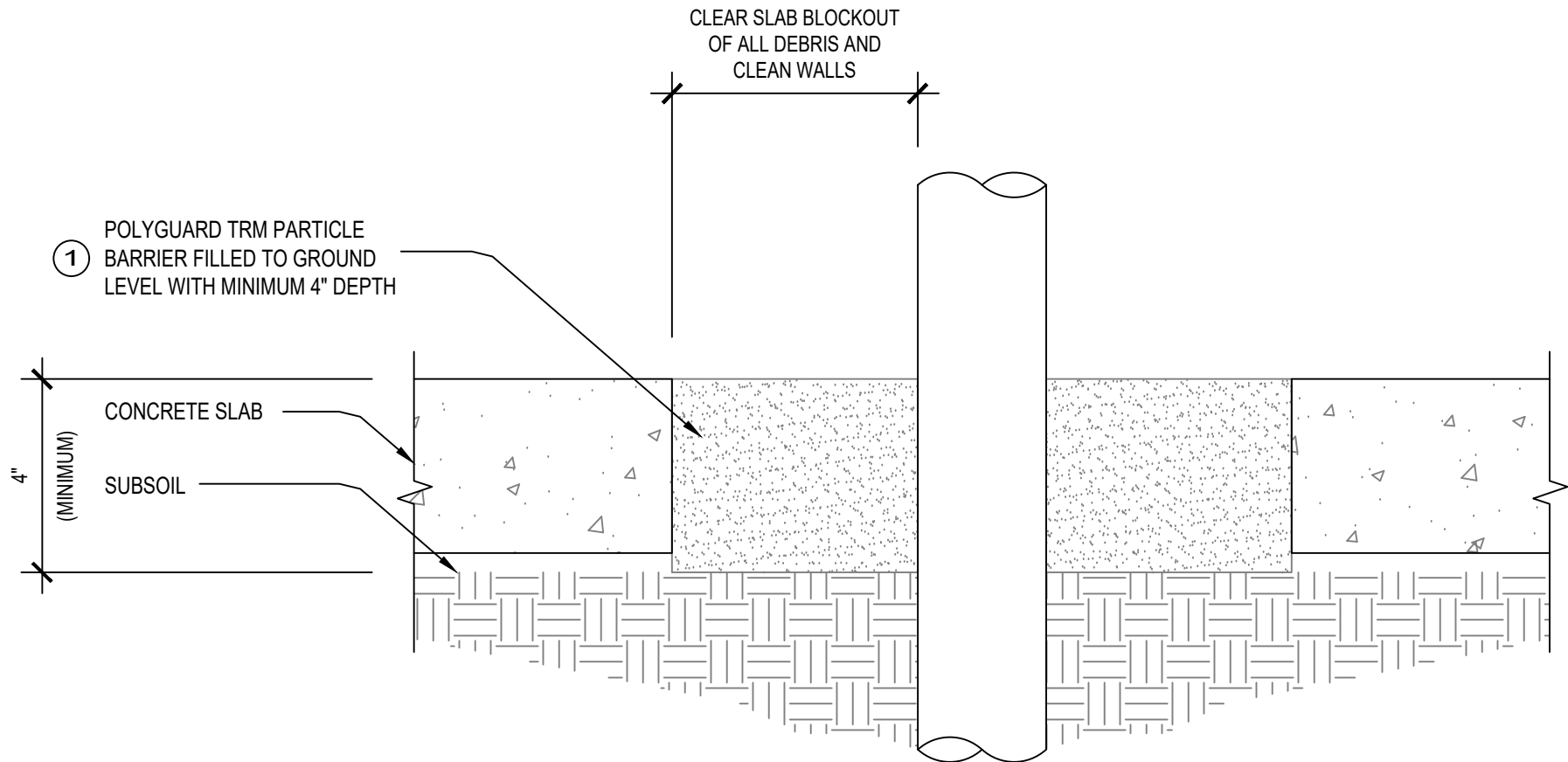
<small>The information provided is based on data and knowledge considered to be true and accurate and is offered for the users' consideration, investigation and verification, but we do not warrant the results to be obtained. Please read all data sheets, statements, recommendations or suggestions in conjunction with our conditions of sale, which apply to all goods supplied by us.</small>	NOT TO SCALE
	EFFECTIVE DATE: 01/06/2025
	SUPERCEDES: 05/25/2021



**AT6**

**SECTION @ TRM PARTICLE BARRIER - INSTALLATION AT EXPOSED PERIMETER OF STRUCTURE**

The information provided is based on data and knowledge considered to be true and accurate and is offered for the users' consideration, investigation and verification, but we do not warrant the results to be obtained. Please read all data sheets, statements, recommendations or suggestions in conjunction with our conditions of sale, which apply to all goods supplied by us.	NOT TO SCALE
	EFFECTIVE DATE: 01/06/2025
	SUPERCEDES: 05/25/2021



**AT7**

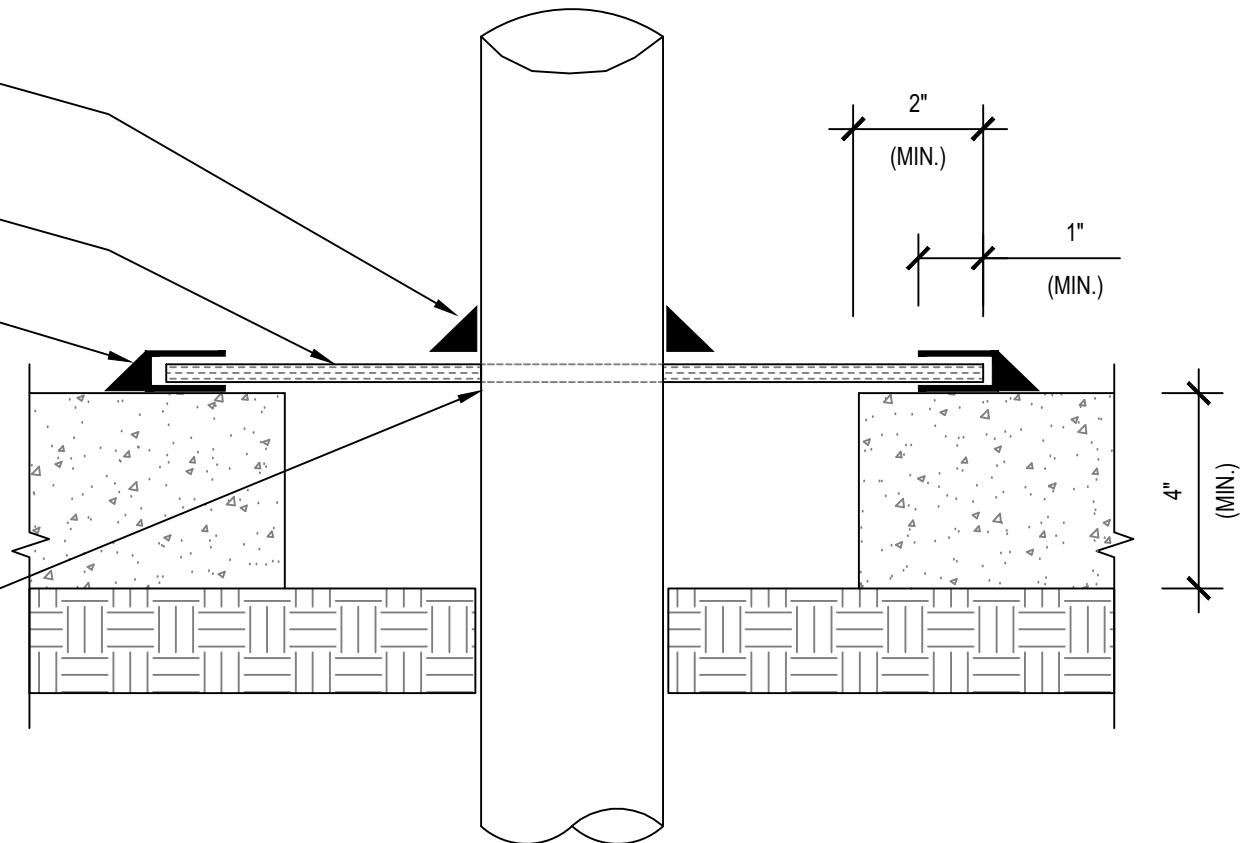
**SECTION @ TRM PARTICLE BARRIER - BATH TRAP OR MOP SINK**

**MATERIAL SEPARATED FOR CLARITY  
© POLYGUARD PRODUCTS, INC.**

<small>The information provided is based on data and knowledge considered to be true and accurate and is offered for the users' consideration, investigation and verification, but we do not warrant the results to be obtained. Please read all data sheets, statements, recommendations or suggestions in conjunction with our conditions of sale, which apply to all goods supplied by us.</small>	<b>NOT TO SCALE</b>
	<b>EFFECTIVE DATE:</b> 01/06/2025
	<b>SUPERCEDES:</b> 05/25/2021

- 4) POLYGUARD TRM SEALANT APPLIED AROUND PENETRATION WITH ROUGHENED SURFACE, EXTEND ONTO FACE MINIMUM 3/4"
- 3) POLYGUARD TRM MICROMESH CUT TO FIT OVER PIPE PENETRATION, EXTEND MINIMUM 2" ONTO CONCRETE
- 2) POLYGUARD TRM SEALANT APPLIED MINIMUM 1" WIDTH BOTH BENEATH AND ON TOP OF TRM MICROMESH, TOOL SEALANT INTO TRM MICROMESH BEFORE APPLIED ON TOP
- 1) BATH TRAP PERIMETER CLEANED OF DIRT AND DEBRIS

**NOTE:** SEE ALSO DETAIL AT5 - BATH TRAP MICROMESH FABRICATION SUB-ASSEMBLY

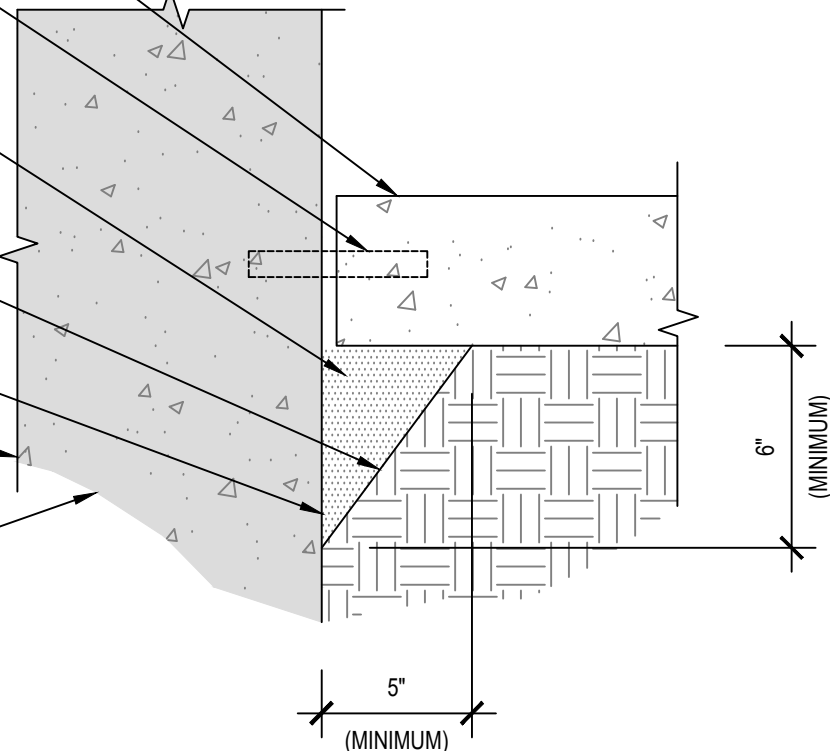


**AT8** SECTION @ TRM PARTICLE BARRIER - BATH TRAP OR MOP SINK



- 6) EXTERIOR CONCRETE SLAB
- 5) STEEL REBAR DOWEL TYING NEW SLAB TO EXISTING SLAB OR FOUNDATION WALL, EXTENDING 2" INTO EXISTING CONCRETE AND 4" INTO NEW SLAB, INSTALLED 2" FROM TOP OF SLAB. PLACE DOWELS EVERY TWO FEET ALONG NEW SLAB
- 4) POLYGUARD TRM PARTICLE BARRIER INSTALLED AGAINST CLEAN EXISTING CONCRETE AND ON TOP OF ROOT BARRIER JUST PRIOR TO CONCRETE SLAB POUR
- 3) POLYGUARD ROOT BARRIER COVERING SOIL SURFACE BUT NOT CONCRETE SURFACE
- 2) DIG WEDGE-SHAPED TRENCH 6" DEEP AND 5" WIDE
- 1) EXISTING CONCRETE SLAB OR FOUNDATION

SUBSOIL



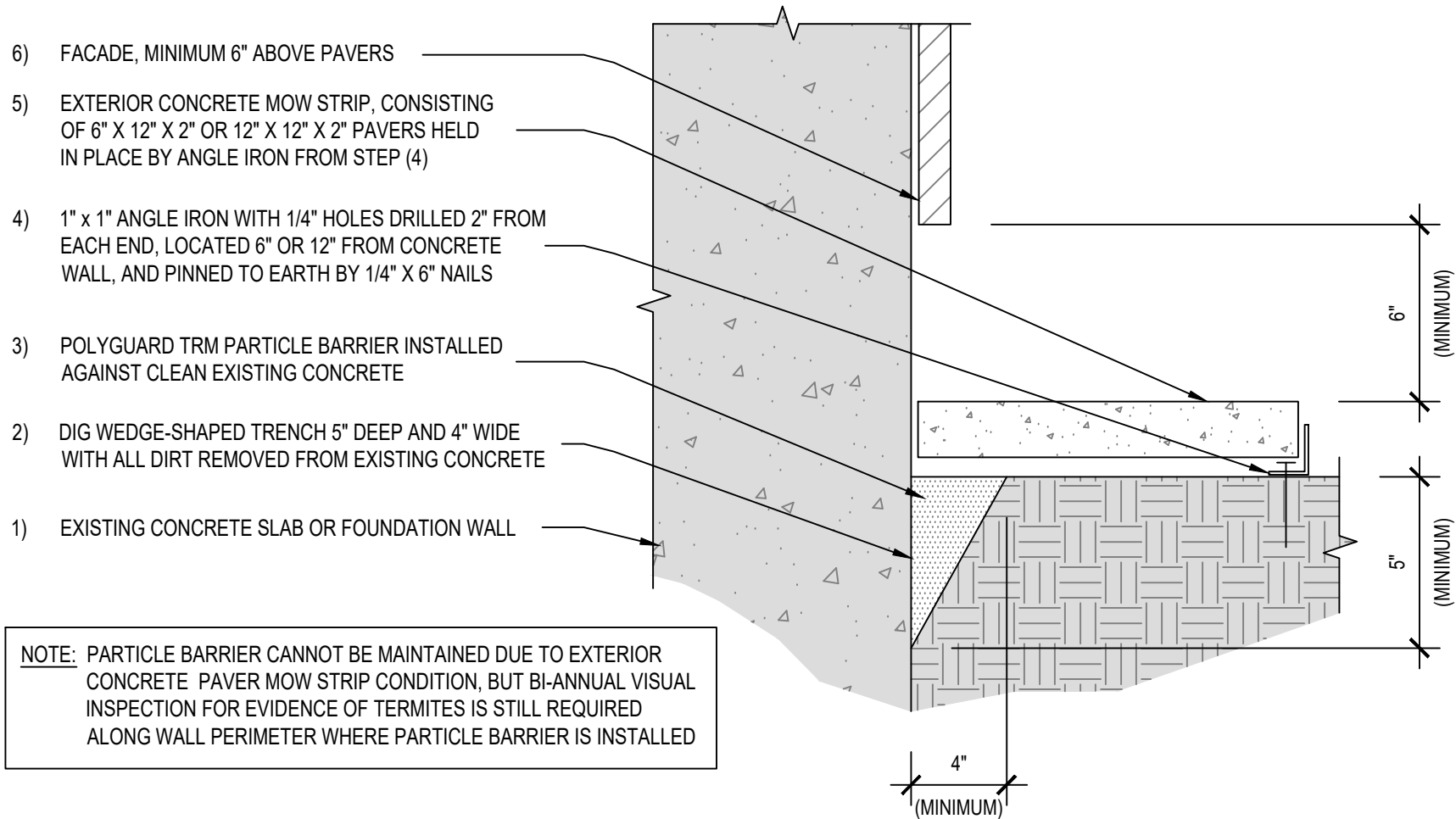
**NOTE:** PARTICLE BARRIER CANNOT BE MAINTAINED DUE TO EXTERIOR CONCRETE SLAB OVERLAY CONDITION, BUT BI-ANNUAL VISUAL INSPECTION FOR EVIDENCE OF TERMITES IS STILL REQUIRED ALONG WALL PERIMETER WHERE PARTICLE BARRIER IS INSTALLED

**AT9**

**SECTION @ TRM PARTICLE BARRIER UNDER CONCRETE SLAB  
(DRIVEWAY, PATIO OR SLAB) ADJACENT TO EXISTING CONCRETE STRUCTURE  
(BASED ON US ARMY CORPS OF ENGINEERS PACIFIC  
ISLAND INSTALLATION TERMITE BARRIER DETAIL)**

MATERIAL SEPARATED FOR CLARITY  
© POLYGUARD PRODUCTS, INC.

The information provided is based on data and knowledge considered to be true and accurate and is offered for the users' consideration, investigation and verification, but we do not warrant the results to be obtained. Please read all data sheets, statements, recommendations or suggestions in conjunction with our conditions of sale, which apply to all goods supplied by us.	NOT TO SCALE
	EFFECTIVE DATE: 01/06/2025
	SUPERCEDES: 05/25/2021



**AT10** SECTION @ TRM PARTICLE BARRIER - UNDER MOW STRIP ADJACENT TO EXISTING CONCRETE STRUCTURE  
(BASED ON US ARMY CORPS OF ENGINEERS PACIFIC ISLAND INSTALLATION TERMITE BARRIER DETAIL)

Polyguard Products, Inc.  
P.O. Box 755 - Ennis, TX 75120  
Phone: 214-515-5000  
Web Site - www.polyguard.com

MATERIAL SEPARATED FOR CLARITY  
© POLYGUARD PRODUCTS, INC.

<small>The information provided is based on data and knowledge considered to be true and accurate and is offered for the users' consideration, investigation and verification, but we do not warrant the results to be obtained. Please read all data sheets, statements, recommendations or suggestions in conjunction with our conditions of sale, which apply to all goods supplied by us.</small>	NOT TO SCALE
	EFFECTIVE DATE: 01/06/2025
	SUPERCEDES: 05/25/2021