

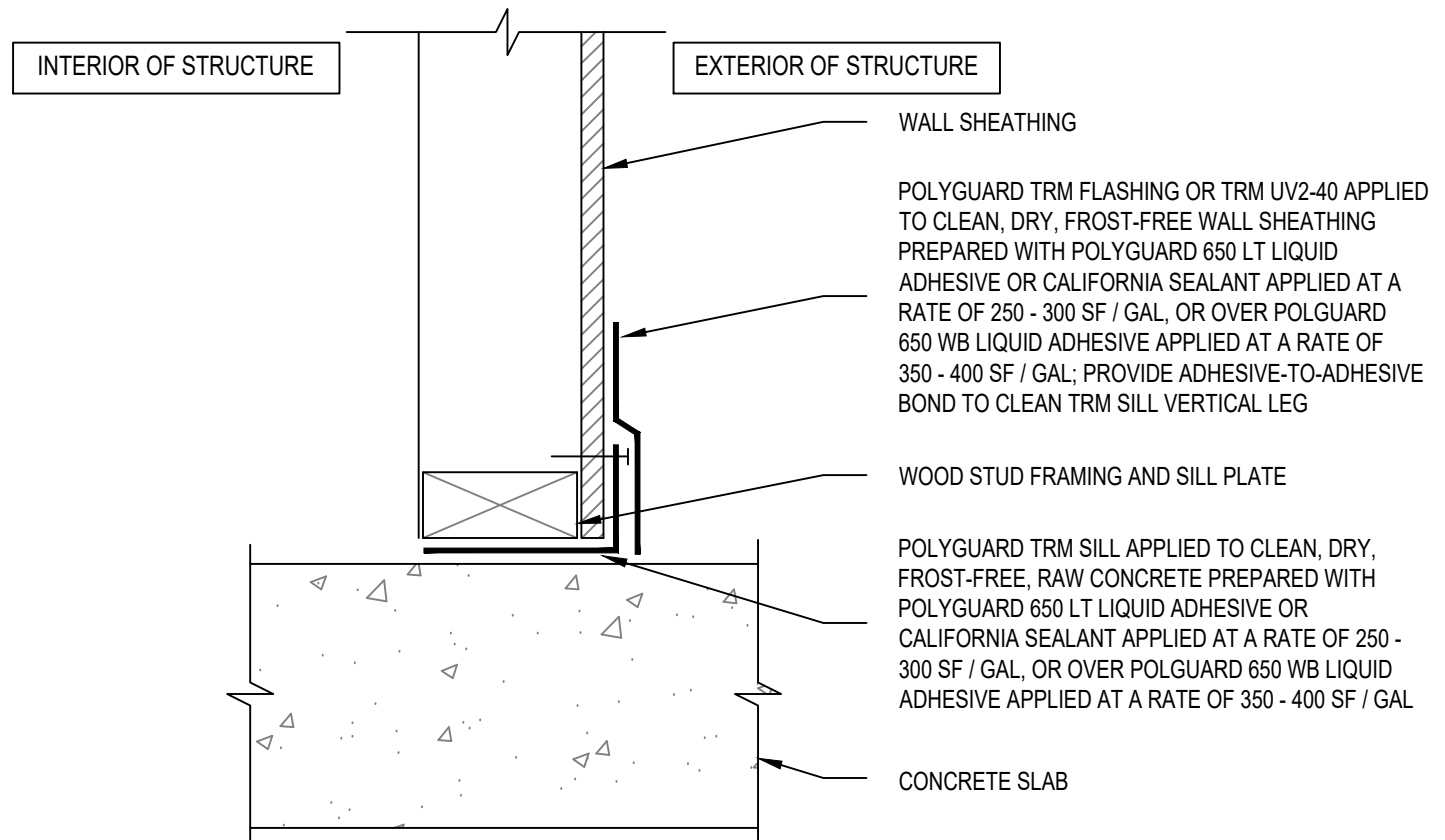
FT1a SECTION @ TRM SILL - PERIMETER FLASHING

Polyguard Products, Inc.
P.O. Box 755 - Ennis, TX 75120
Phone: 214-515-5000
Web Site - www.polyguard.com

GENERAL NOTE: IF ADHESIVE IS REQUIRED FOR SEAMS OR END LAPS, DO NOT USE POLYGUARD 650 WB LIQUID ADHESIVE.

MATERIAL SEPARATED FOR CLARITY
© POLYGUARD PRODUCTS, INC.

<small>The information provided is based on data and knowledge considered to be true and accurate and is offered for the users' consideration, investigation and verification, but we do not warrant the results to be obtained. Please read all data sheets, statements, recommendations or suggestions in conjunction with our conditions of sale, which apply to all goods supplied by us.</small>	NOT TO SCALE
	EFFECTIVE DATE: 01/06/2025
	SUPERCEDES: 08/02/2024



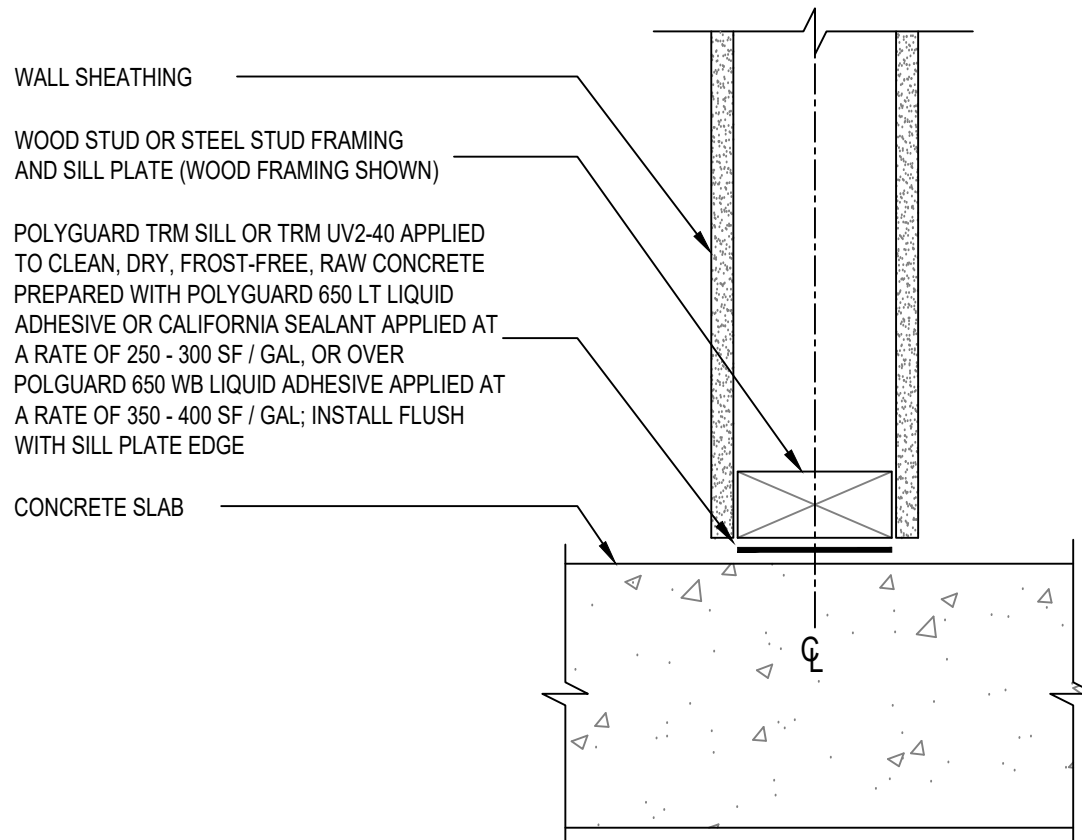
FT1b

SECTION @ TRM SILL - PERIMETER FLASHING AT BALCONY OR PATIO

GENERAL NOTE: IF ADHESIVE IS REQUIRED FOR SEAMS OR END LAPS, DO NOT USE POLYGUARD 650 WB LIQUID ADHESIVE.

MATERIAL SEPARATED FOR CLARITY
© POLYGUARD PRODUCTS, INC.

The information provided is based on data and knowledge considered to be true and accurate and is offered for the users' consideration, investigation and verification, but we do not warrant the results to be obtained. Please read all data sheets, statements, recommendations or suggestions in conjunction with our conditions of sale, which apply to all goods supplied by us.	NOT TO SCALE
	EFFECTIVE DATE: 01/06/2025
	SUPERCEDES: 08/02/2024



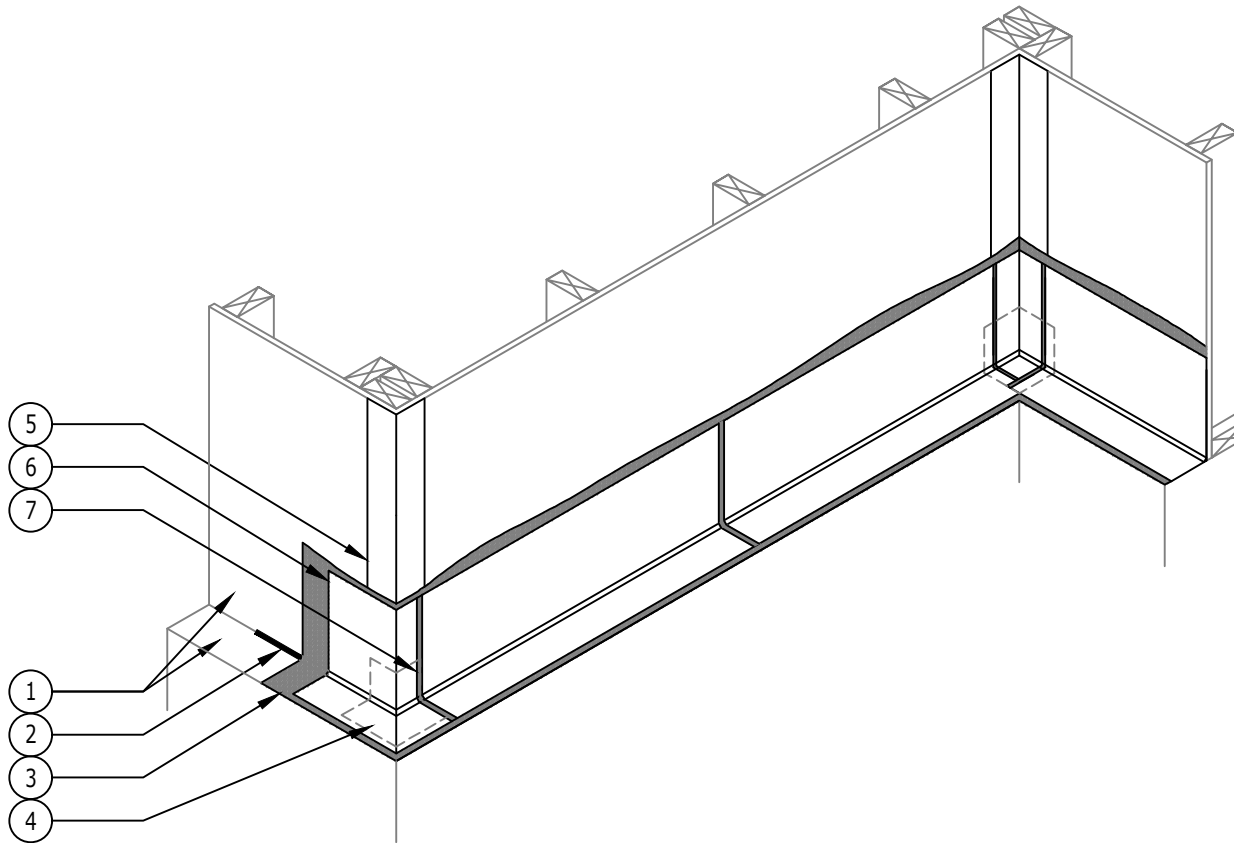
FT2 SECTION @ TRM SILL - INTERIOR FRAMING

Polyguard Products, Inc.
P.O. Box 755 - Ennis, TX 75120
Phone: 214-515-5000
Web Site - www.polyguard.com

GENERAL NOTE: IF ADHESIVE IS REQUIRED FOR SEAMS OR END LAPS, DO NOT USE POLYGUARD 650 WB LIQUID ADHESIVE.

MATERIAL SEPARATED FOR CLARITY
© POLYGUARD PRODUCTS, INC.

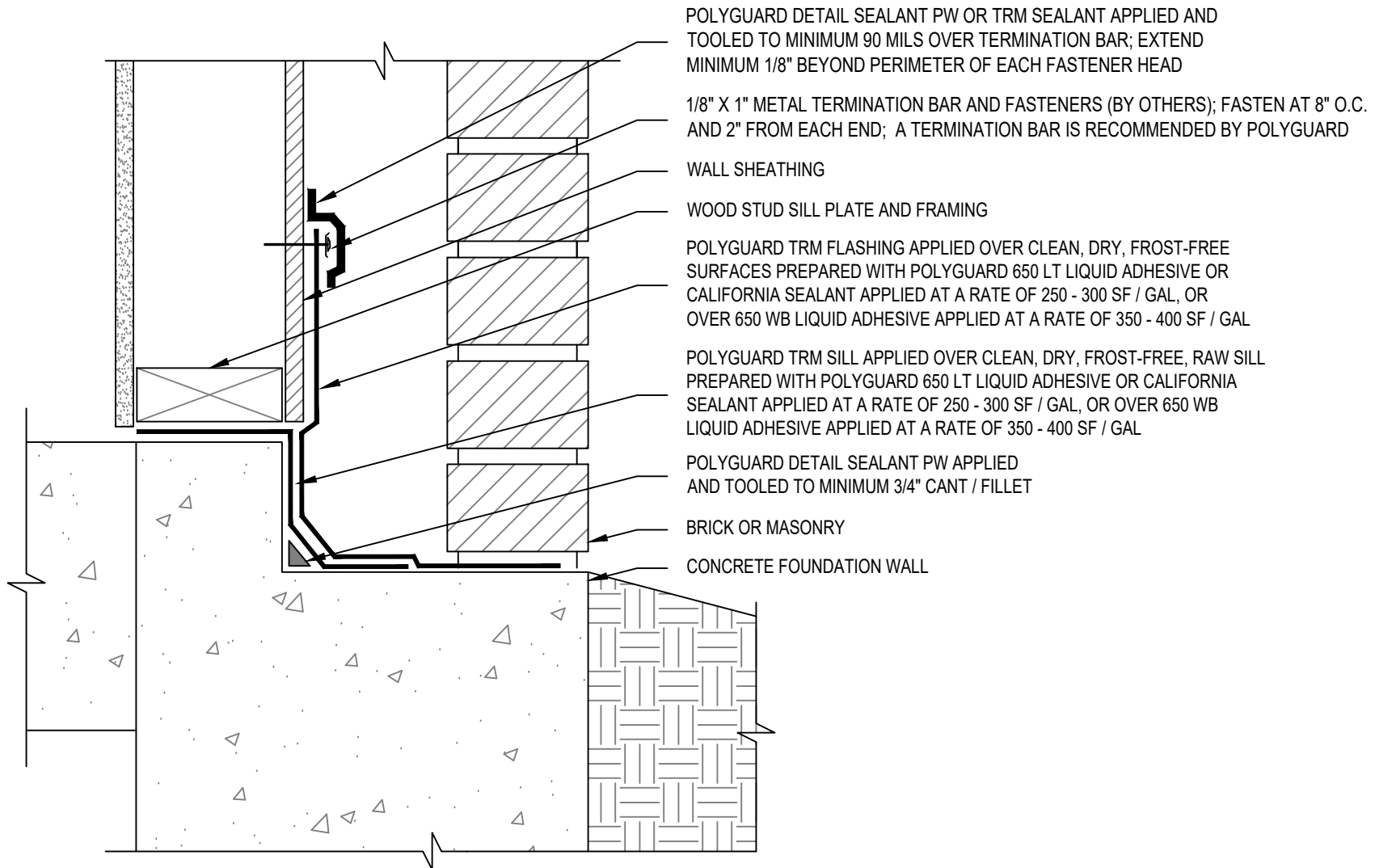
<p>The information provided is based on data and knowledge considered to be true and accurate and is offered for the users' consideration, investigation and verification, but we do not warrant the results to be obtained. Please read all data sheets, statements, recommendations or suggestions in conjunction with our conditions of sale, which apply to all goods supplied by us.</p>	NOT TO SCALE
	EFFECTIVE DATE: 01/06/2025
	SUPERCEDES: 08/02/2024



- ① WALL SURFACE PREPARATION: PROVIDE CLEAN, DRY, FROST-FREE, RAW SUBSTRATES PRIOR TO POLYGUARD TRM FLASHING INSTALLATION
- ② WALL SURFACE DETAILING: POLYGUARD DETAIL SEALANT PW OR TRM SEALANT APPLIED AND TOOLED TO MINIMUM 3/4" CANT / FILLET OVER AND ALONG JOINT
- ③ WALL SURFACE PRIMING: POLYGUARD 650 LT LIQUID ADHESIVE OR CALIFORNIA SEALANT APPLIED AT A RATE OF 250 - 300 SF / GAL, OR 650 WB LIQUID ADHESIVE APPLIED AT A RATE OF 350 - 400 SF / GAL
- ④ WALL CORNER BOOTS: POLYGUARD PREFORMED OR FIELD-MADE INSIDE / OUTSIDE CORNER BOOTS OVER POLYGUARD 650 LT LIQUID ADHESIVE OR CALIFORNIA SEALANT APPLIED AT A RATE OF 250 - 300 SF / GAL, OR 650 WB LIQUID ADHESIVE APPLIED AT A RATE OF 350 - 400 SF / GAL
- ⑤ WALL CORNER FLASHING: POLYGUARD TRM FLASHING APPLIED AND CENTERED (6" ON EACH CONCRETE FACE) OVER CLEAN, DRY, FROST-FREE, RAW INSIDE AND OUTSIDE VERTICAL WALL CORNERS PREPARED WITH POLYGUARD 650 LT LIQUID ADHESIVE OR CALIFORNIA SEALANT APPLIED AT A RATE OF 250 - 300 SF / GAL, OR OVER 650 WB LIQUID ADHESIVE APPLIED AT A RATE OF 350 - 400 SF / GAL
- ⑥ WALL FLASHING: POLYGUARD TRM FLASHING APPLIED AND CENTERED (6" ON EACH FACE) OVER CLEAN, DRY, FROST-FREE, RAW SILL PREPARED WITH POLYGUARD 650 LT LIQUID ADHESIVE OR CALIFORNIA SEALANT APPLIED AT A RATE OF 250 - 300 SF / GAL, OR OVER 650 WB LIQUID ADHESIVE APPLIED AT A RATE OF 350 - 400 SF / GAL
- ⑦ WALL FLASHING EDGE SEAL: POLYGUARD DETAIL SEALANT PW OR TRM SEALANT APPLIED AND TOOLED TO MINIMUM 90 MILS OVER AND ALONG ALL TRM FLASHING SEAMS AND EXPOSED TERMINAL EDGES AS EDGE SEAL

FT3

ISOMETRIC @ TRM FLASHING - INSTALLATION SEQUENCE



FT4a

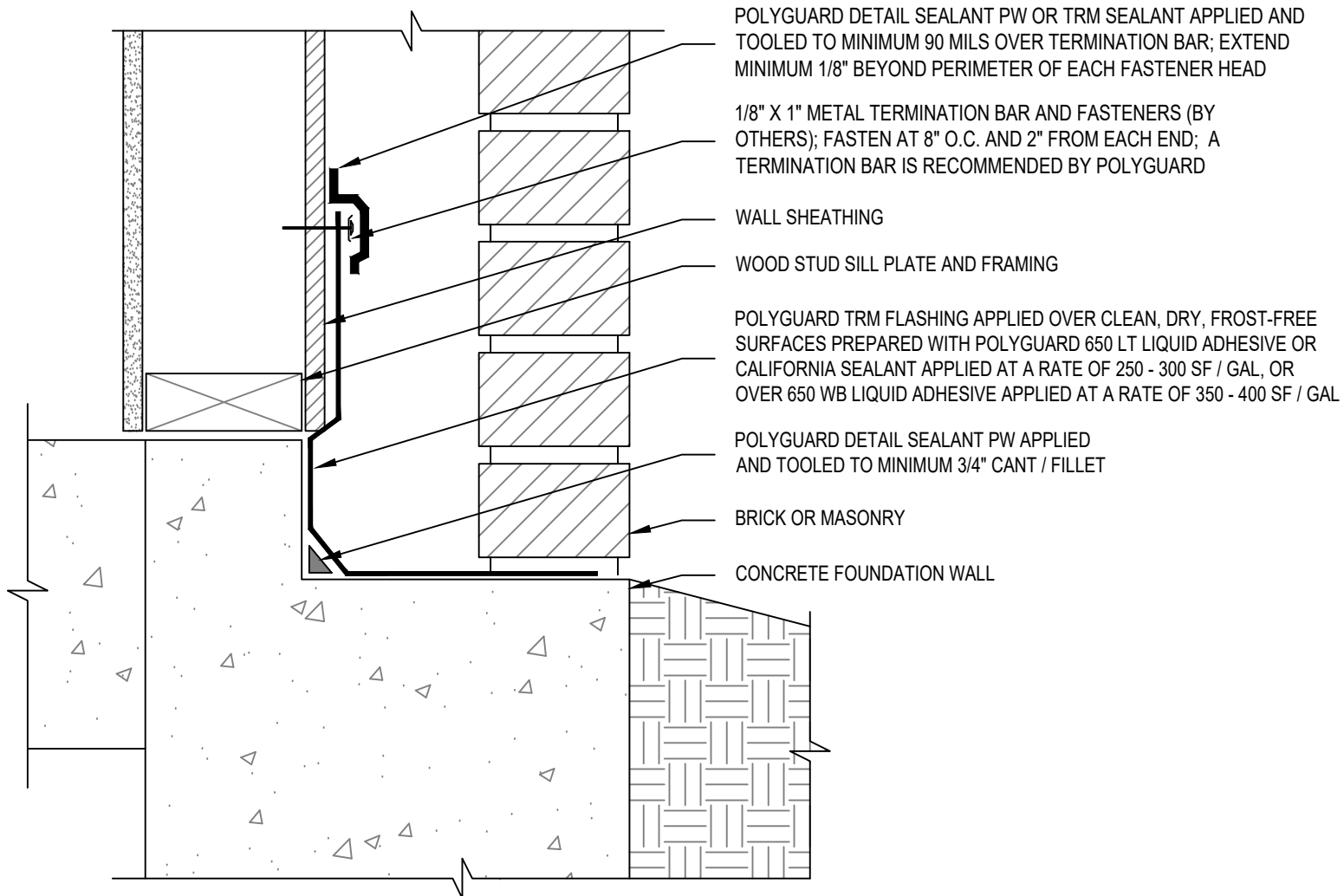
SECTION @ TRM FLASHING - INSTALLATION OVER TRM SILL IN CAVITY WALL

Polyguard Products, Inc.
P.O. Box 755 - Ennis, TX 75120
Phone: 214-515-5000
Web Site - www.polyguard.com

GENERAL NOTE: IF ADHESIVE IS REQUIRED FOR SEAMS OR END LAPS, DO NOT USE POLYGUARD 650 WB LIQUID ADHESIVE.

MATERIAL SEPARATED FOR CLARITY
© POLYGUARD PRODUCTS, INC.

<small>The information provided is based on data and knowledge considered to be true and accurate and is offered for the users' consideration, investigation and verification, but we do not warrant the results to be obtained. Please read all data sheets, statements, recommendations or suggestions in conjunction with our conditions of sale, which apply to all goods supplied by us.</small>	NOT TO SCALE
	EFFECTIVE DATE: 01/06/2025
	SUPERCEDES: 08/02/2024



FT4b

SECTION @ TRM FLASHING - INSTALLATION IN CAVITY WALL

Polyguard Products, Inc.
P.O. Box 755 - Ennis, TX 75120
Phone: 214-515-5000
Web Site - www.polyguard.com

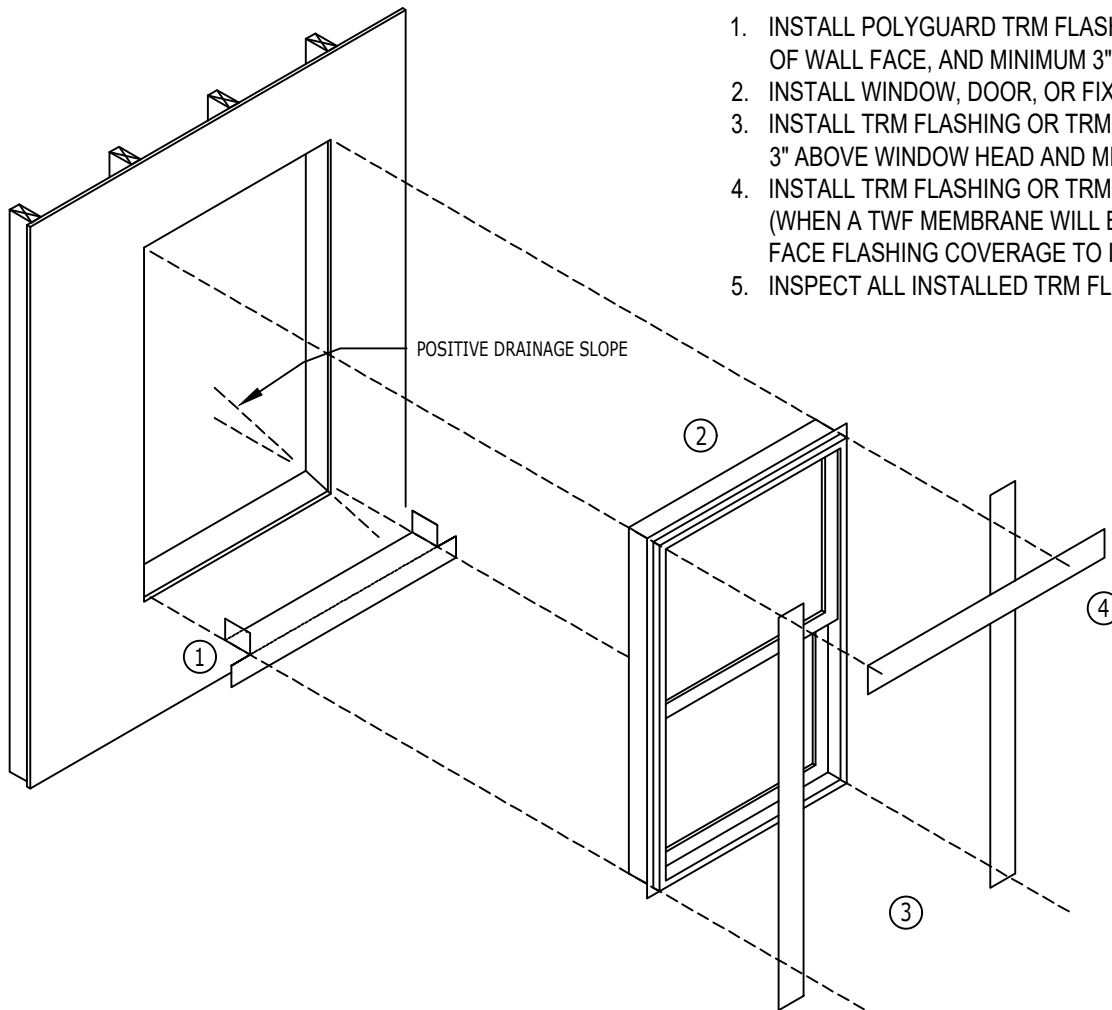
GENERAL NOTE: IF ADHESIVE IS REQUIRED FOR SEAMS OR END LAPS, DO NOT USE POLYGUARD 650 WB LIQUID ADHESIVE.

**MATERIAL SEPARATED FOR CLARITY
© POLYGUARD PRODUCTS, INC.**

<small>The information provided is based on data and knowledge considered to be true and accurate and is offered for the users' consideration, investigation and verification, but we do not warrant the results to be obtained. Please read all data sheets, statements, recommendations or suggestions in conjunction with our conditions of sale, which apply to all goods supplied by us.</small>	NOT TO SCALE
	EFFECTIVE DATE: 01/06/2025
	SUPERCEDES: 08/02/2024

POLYGUARD TRM FLASHING TO A FLANGED WINDOW, DOOR, OR FIXTURE INSTALLATION SEQUENCE:

1. INSTALL POLYGUARD TRM FLASHING OR TRM UV2-40 TO COVER SLOPED SILL / THRESHOLD, MINIMUM 3" OF WALL FACE, AND MINIMUM 3" OF EACH JAMB; CHECK TO ENSURE NO GAPS OR PINHOLES.
2. INSTALL WINDOW, DOOR, OR FIXTURE.
3. INSTALL TRM FLASHING OR TRM UV2-40 TO COVER WINDOW JAMB FLANGE AND WALL, EXTEND MINIMUM 3" ABOVE WINDOW HEAD AND MINIMUM 3" BELOW WINDOW SILL / THRESHOLD.
4. INSTALL TRM FLASHING OR TRM UV2-40 TO COVER WALL FACE A MINIMUM 3" AT HEAD AND JAMBS. (WHEN A TWF MEMBRANE WILL BE INSTALLED AT HEAD FOR A MASONRY FINISH, EXTEND HEAD WALL FACE FLASHING COVERAGE TO INTERFACE WITH TWF MEMBRANE MINIMUM 2").
5. INSPECT ALL INSTALLED TRM FLASHING, ESPECIALLY AT CORNERS, TO ENSURE NO GAPS OR PINHOLES.



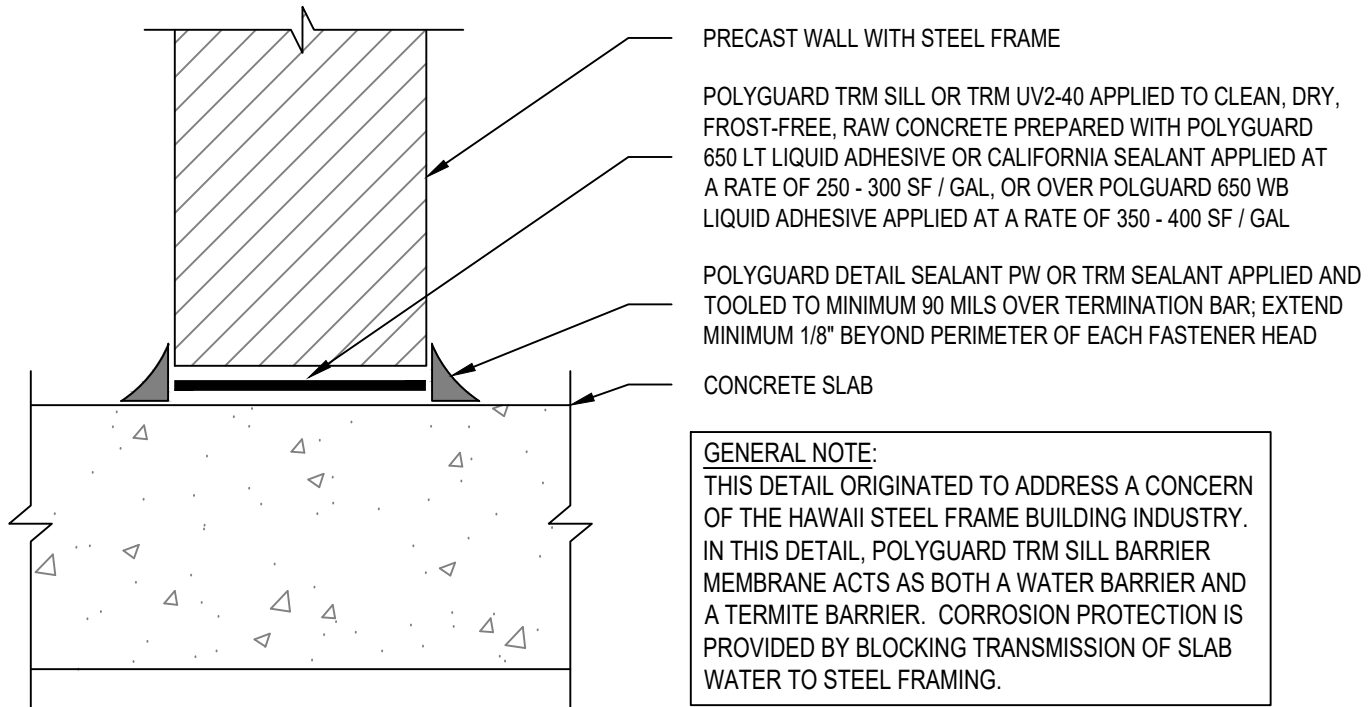
GENERAL NOTE: THIS ROUGH OPENING WALL IS SHOWN AS FRAME BUT COULD BE MASONRY; INSTALLATION SEQUENCE FOR POLYGUARD TRM FLASHING OR TRM UV2-40 ARE SAME FOR EITHER CONSTRUCTION MATERIAL. FREE SURFACES TO RECEIVE POLYGUARD TRM FLASHING FROM IRREGULARITIES THAT WOULD INTERFERE WITH A FLAT INTERFACE WITH FLASHING MEMBRANE, OR THEY POSE A FLASHING MEMBRANE PUNCTURE HAZARD. APPLY POLYGUARD 650 LT LIQUID ADHESIVE OR CALIFORNIA SEALANT OVER CLEAN AND DRY SURFACES TO RECEIVE POLYGUARD TRM FLASHING OR TRM UV2-40 AT A RATE OF 250 - 300 SF / GAL, OR OVER 650 WB LIQUID ADHESIVE APPLIED AT A RATE OF 350 - 400 SF / GAL; BASE LIQUID ADHESIVE SELECTION ON SUBSTRATE COMPATIBILITY AND VOC REQUIREMENTS.

FT5 ISOMETRIC @ TRM FLASHING - WINDOW FLASHING

GENERAL NOTE: IF ADHESIVE IS REQUIRED FOR SEAMS OR END LAPS, DO NOT USE POLYGUARD 650 WB LIQUID ADHESIVE.

MATERIAL SEPARATED FOR CLARITY
© POLYGUARD PRODUCTS, INC.

<small>The information provided is based on data and knowledge considered to be true and accurate and is offered for the users' consideration, investigation and verification, but we do not warrant the results to be obtained. Please read all data sheets, statements, recommendations or suggestions in conjunction with our conditions of sale, which apply to all goods supplied by us.</small>	NOT TO SCALE
	EFFECTIVE DATE: 01/06/2025
	SUPERCEDES: 08/02/2024

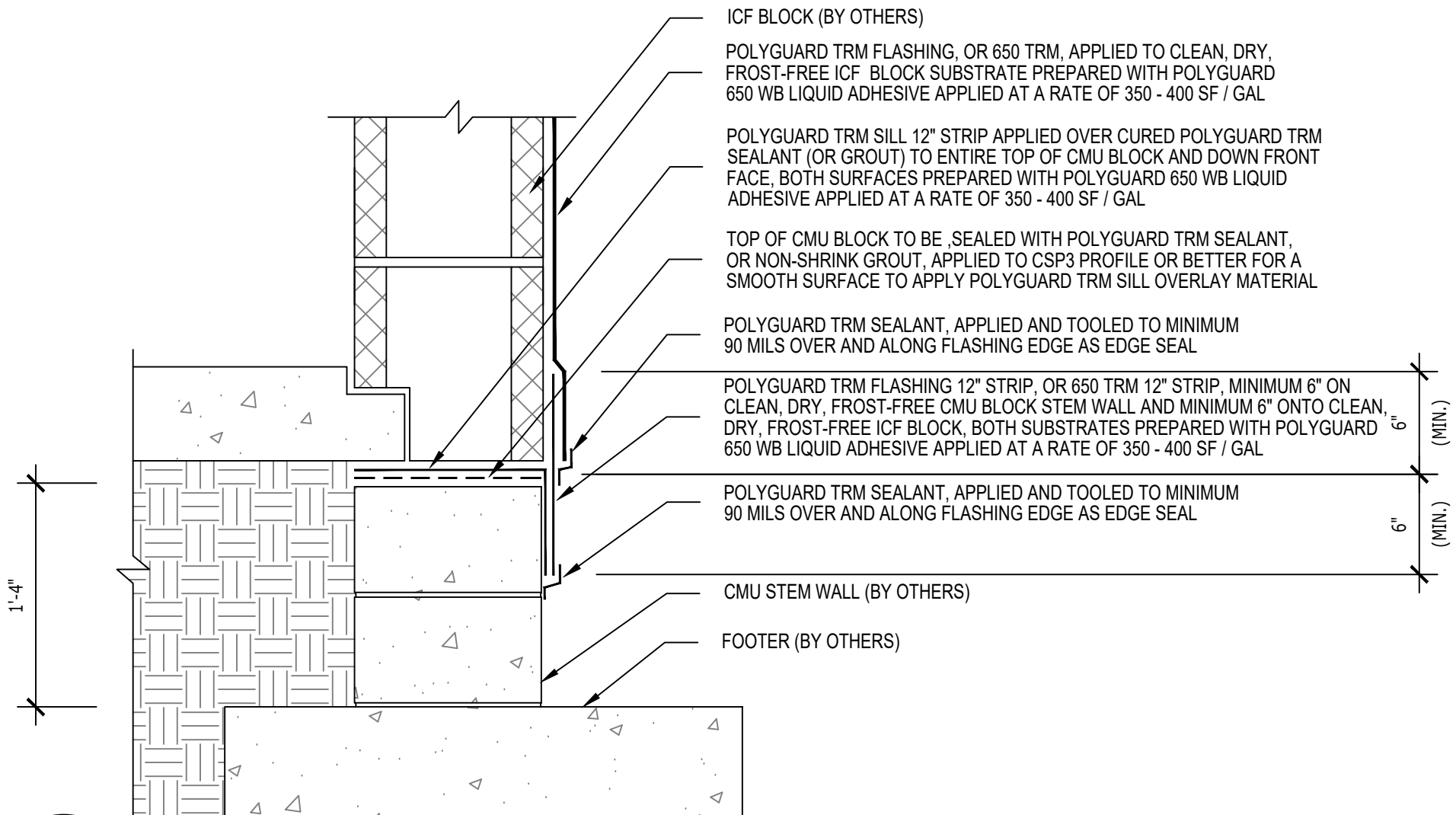


FT6 SECTION @ TRM SILL - PRECAST WALL WITH STEEL FRAME

GENERAL NOTE: IF ADHESIVE IS REQUIRED FOR SEAMS OR END LAPS, DO NOT USE POLYGUARD 650 WB LIQUID ADHESIVE.

MATERIAL SEPARATED FOR CLARITY
© POLYGUARD PRODUCTS, INC.

<small>The information provided is based on data and knowledge considered to be true and accurate and is offered for the users' consideration, investigation and verification, but we do not warrant the results to be obtained. Please read all data sheets, statements, recommendations or suggestions in conjunction with our conditions of sale, which apply to all goods supplied by us.</small>	NOT TO SCALE
	EFFECTIVE DATE: 01/06/2025
	SUPERCEDES: 08/02/2024



FT7a

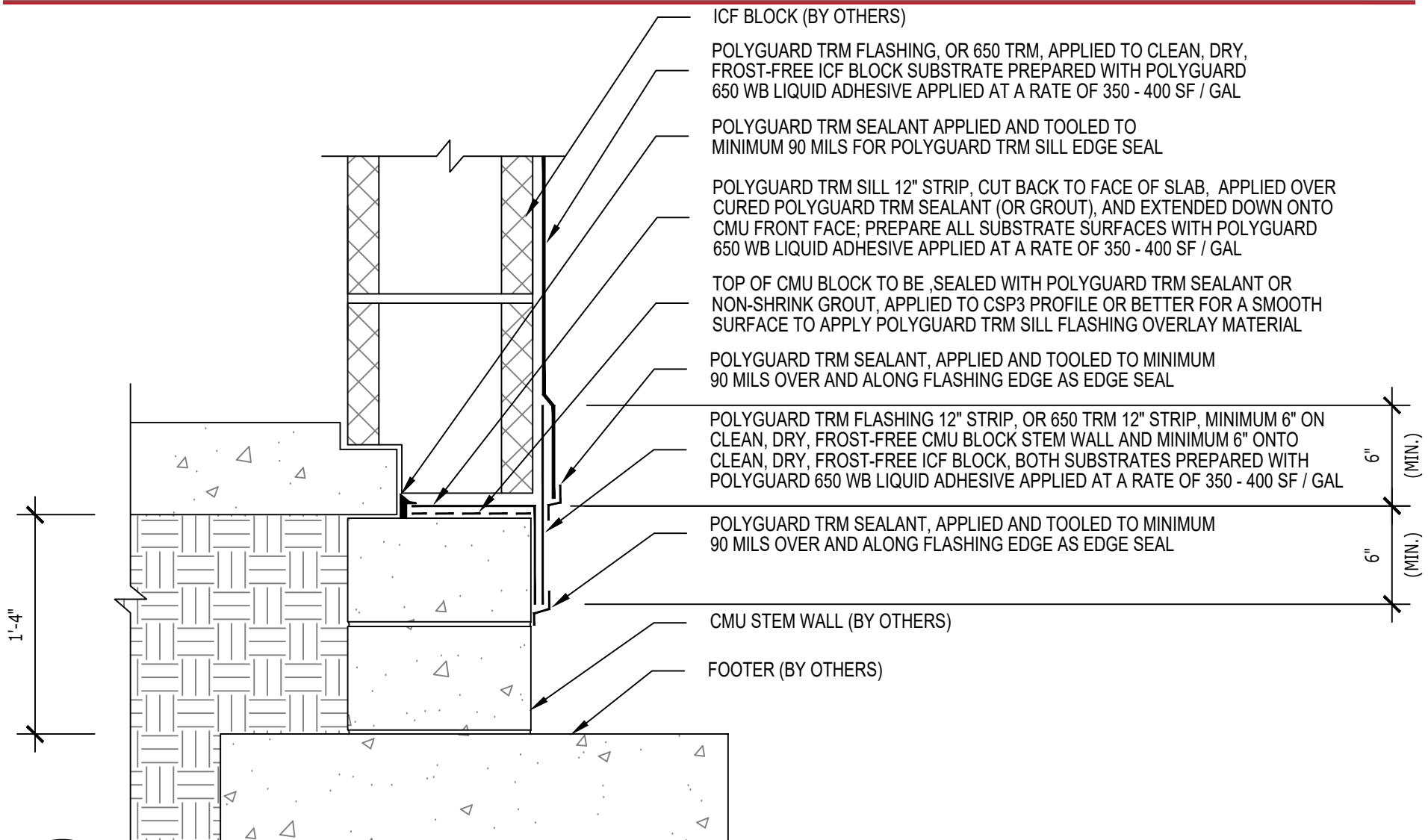
SECTION @ TRM SILL - STEM WALL TRANSITION TO ICF BLOCK (OPTION #1)

Polyguard Products, Inc.
P.O. Box 755 - Ennis, TX 75120
Phone: 214-515-5000
Web Site - www.polyguard.com

GENERAL NOTE: IF ADHESIVE IS REQUIRED FOR SEAMS OR END LAPS, DO NOT USE POLYGUARD 650 WB LIQUID ADHESIVE.

MATERIAL SEPARATED FOR CLARITY
© POLYGUARD PRODUCTS, INC.

<small>The information provided is based on data and knowledge considered to be true and accurate and is offered for the users' consideration, investigation and verification, but we do not warrant the results to be obtained. Please read all data sheets, statements, recommendations or suggestions in conjunction with our conditions of sale, which apply to all goods supplied by us.</small>	NOT TO SCALE
	EFFECTIVE DATE: 01/06/2025
	SUPERCEDES: 10/25/2024



FT7b SECTION @ TRM SILL - STEM WALL TRANSITION TO ICF BLOCK (OPTION #2)

MATERIAL SEPARATED FOR CLARITY
© POLYGUARD PRODUCTS, INC.

Polyguard Products, Inc.
P.O. Box 755 - Ennis, TX 75120
Phone: 214-515-5000
Web Site - www.polyguard.com

GENERAL NOTE: IF ADHESIVE IS REQUIRED FOR SEAMS OR END LAPS, DO NOT USE POLYGUARD 650 WB LIQUID ADHESIVE.

<small>The information provided is based on data and knowledge considered to be true and accurate and is offered for the users' consideration, investigation and verification, but we do not warrant the results to be obtained. Please read all data sheets, statements, recommendations or suggestions in conjunction with our conditions of sale, which apply to all goods supplied by us.</small>	NOT TO SCALE
	EFFECTIVE DATE: 01/06/2025
	SUPERCEDES: 10/25/2024