

CRU1 OVERVIEW @ SELF ADHERED REPAIR PATCH

Polyguard Products, Inc.
P.O. Box 755 - Ennis, TX 75120
Phone: 214-515-5000
Web Site - www.polyguard.com

©POLYGUARD PRODUCTS, INC.
MATERIAL SEPARATED FOR CLARITY

<small>The information provided is based on data and knowledge considered to be true and accurate and is offered for the users' consideration, investigation and verification, but we do not warrant the results to be obtained. Please read all data sheets, statements, recommendations or suggestions in conjunction with our conditions of sale, which apply to all goods supplied by us.</small>	NOT TO SCALE
	EFFECTIVE DATE: 07/15/2024
	SUPERCEDES: 10/01/2022

POLYGUARD CR LIQUID MEMBRANE APPLIED OVER POLYGUARD CR SEALANT AT A RATE OF 175 - 200 SF/GAL TO THE TOP EDGE OF TERMINATION BAR AND TO COVER MINIMUM 1/8" BEYOND PERIMETER OF FASTENER HEADS

POLYGUARD ULTRA CRM MEMBRANE APPLIED TO SUBSTRATE PREPARED WITH POLYGUARD 650 LT LIQUID ADHESIVE, OR POLYGUARD CALIFORNIA SEALANT AT A RATE OF 250 TO 300 SF/GAL- OVERLAPS ARE 2 1/2" ON SIDE LAPS 6" ON END LAPS

POLYGUARD CR SEAM TAPE APPLIED TO ALL TERMINATIONS OF MEMBRANE TO MEMBRANE

POLYGUARD CR LIQUID MEMBRANE APPLIED TO MEMBRANE TERMINATIONS PREPARED WITH POLYGUARD CR SEALANT AT A RATE OF 175 - 200 SF/GAL

POLYGUARD CRM MEMBRANE FABRIC TOWARD CONCRETE POUR (REFERENCE POLYGUARD ULTRA CRM TIE IN TO EMBEDDED CRM)

POLYGUARD PREFORMED CRM OUTSIDE CORNER BOOT

3/4" FILLET OF POLYGUARD LM-95 APPLIED TO RAW CONCRETE ALONG INSIDE CORNERS

1/8" X 1" METAL TERMINATION BAR FASTENED AT 8" SPACING AND 2" FROM EACH END - BY OTHERS

POLYGUARD POLYFLOW 15 MOLDED SHEET DRAIN FABRIC TOWARD BACKFILL

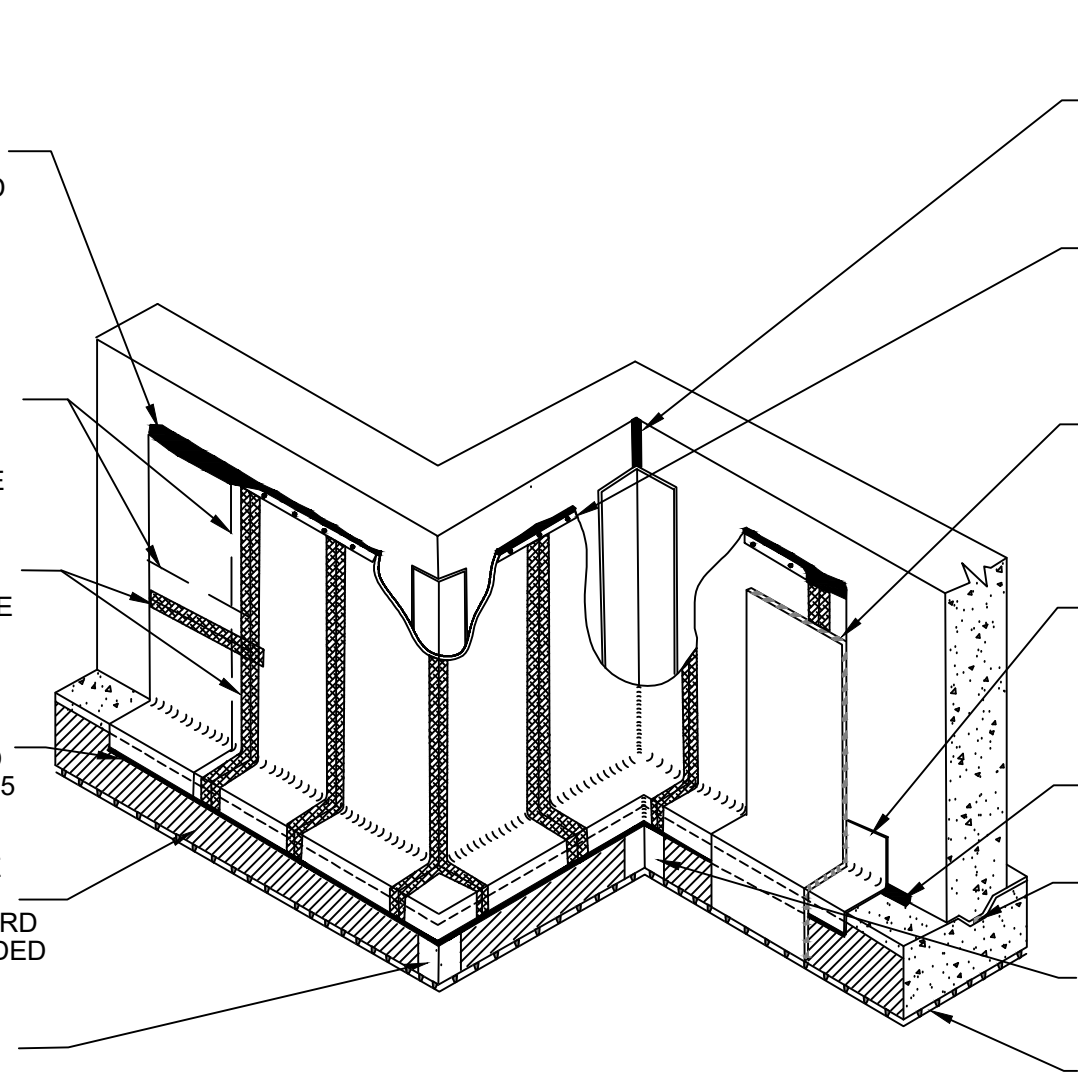
12" POLYGUARD ULTRA CRM MEMBRANE APPLIED TO INSIDE AND OUTSIDE CORNERS PREPARED WITH POLYGUARD 650 LT LIQUID ADHESIVE OR POLYGUARD CALIFORNIA SEALANT AT A RATE OF 250 - 300 SF/GAL

3/4" FILLET OF POLYGUARD LM-95 APPLIED TO RAW CONCRETE

WATERSTOP - BY OTHERS

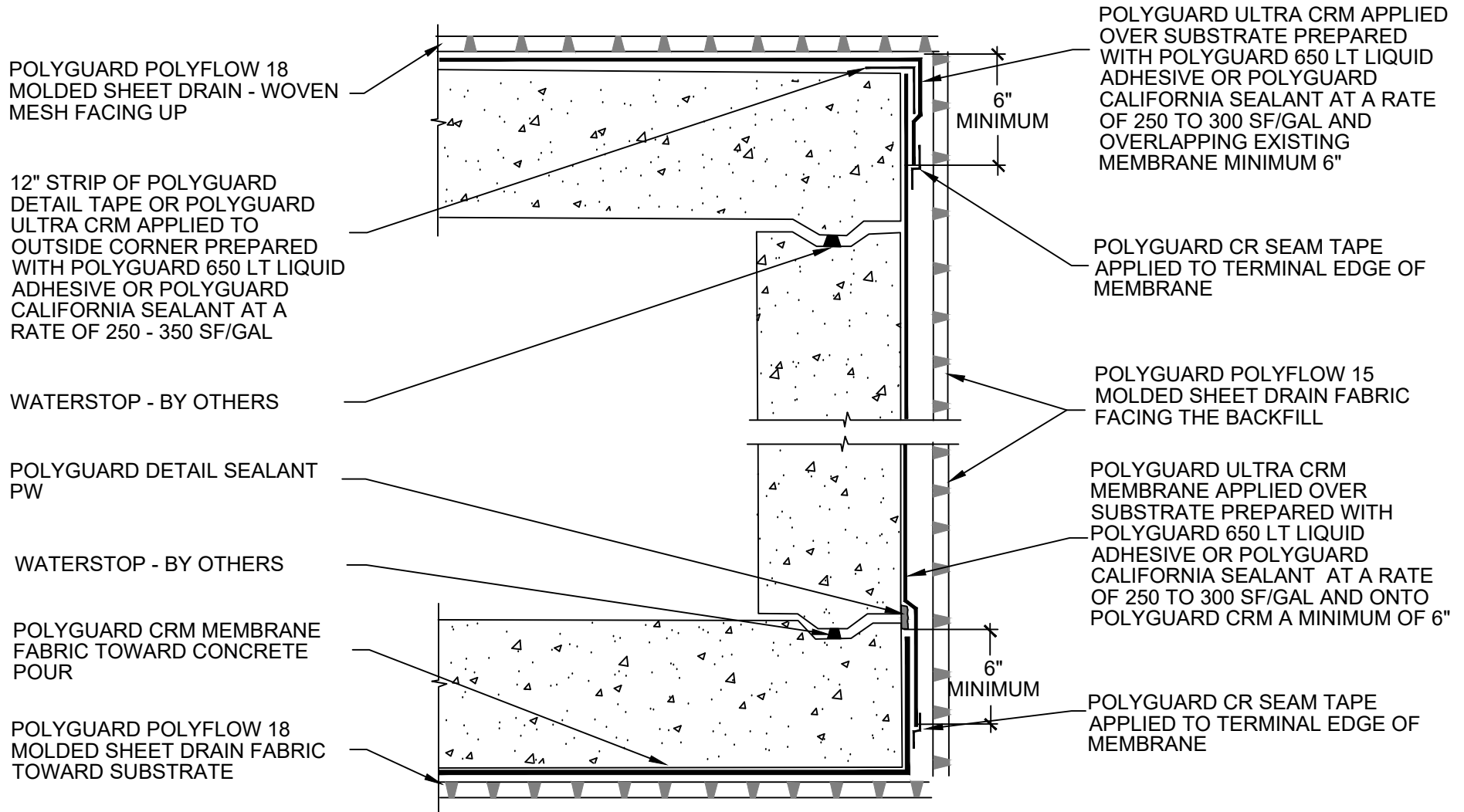
POLYGUARD PREFORMED CRM INSIDE CORNER BOOT

POLYGUARD POLYFLOW 18 MOLDED SHEET DRAINAGE FABRIC TOWARD SLAB UNDER THE SLAB



CRU2 OVERVIEW @ VERTICAL WALL APPLICATION

<small>The information provided is based on data and knowledge considered to be true and accurate and is offered for the users' consideration, investigation and verification, but we do not warrant the results to be obtained. Please read all data sheets, statements, recommendations or suggestions in conjunction with our conditions of sale, which apply to all goods supplied by us.</small>	NOT TO SCALE
	EFFECTIVE DATE: 07/15/2024
	SUPERCEDES: 10/01/2022

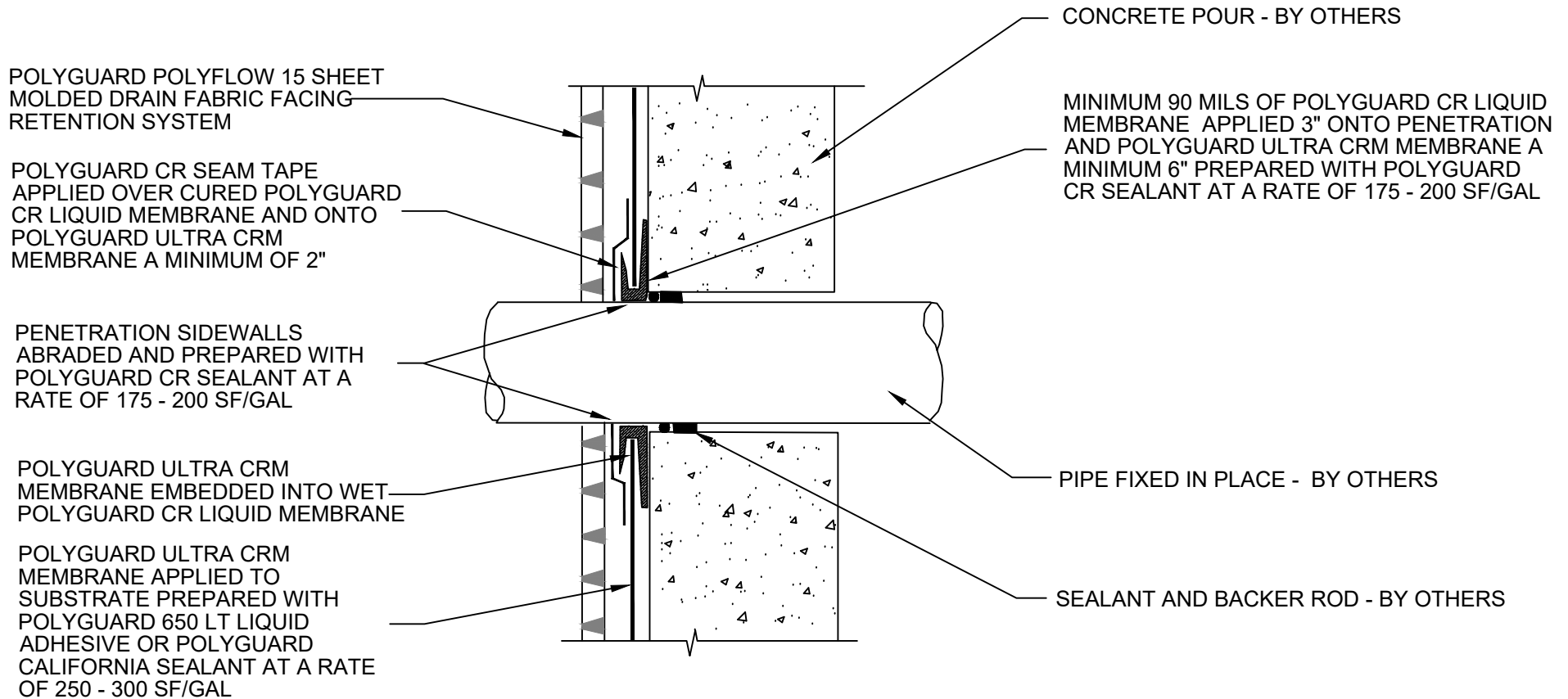


CRU3 OVERVIEW @ TUNNEL WATERPROOFING

Polyguard Products, Inc.
P.O. Box 755 - Ennis, TX 75120
Phone: 214-515-5000
Web Site - www.polyguard.com

©POLYGUARD PRODUCTS, INC.
MATERIAL SEPARATED FOR CLARITY

<small>The information provided is based on data and knowledge considered to be true and accurate and is offered for the users' consideration, investigation and verification, but we do not warrant the results to be obtained. Please read all data sheets, statements, recommendations or suggestions in conjunction with our conditions of sale, which apply to all goods supplied by us.</small>	NOT TO SCALE
	EFFECTIVE DATE: 07/15/2024
	SUPERCEDES: 10/01/2022



CRU4

SECTION @ PENETRATION ROUGH FIT AROUND PENETRATION SIDEWALL

Polyguard Products, Inc.
P.O. Box 755 - Ennis, TX 75120
Phone: 214-515-5000
Web Site - www.polyguard.com

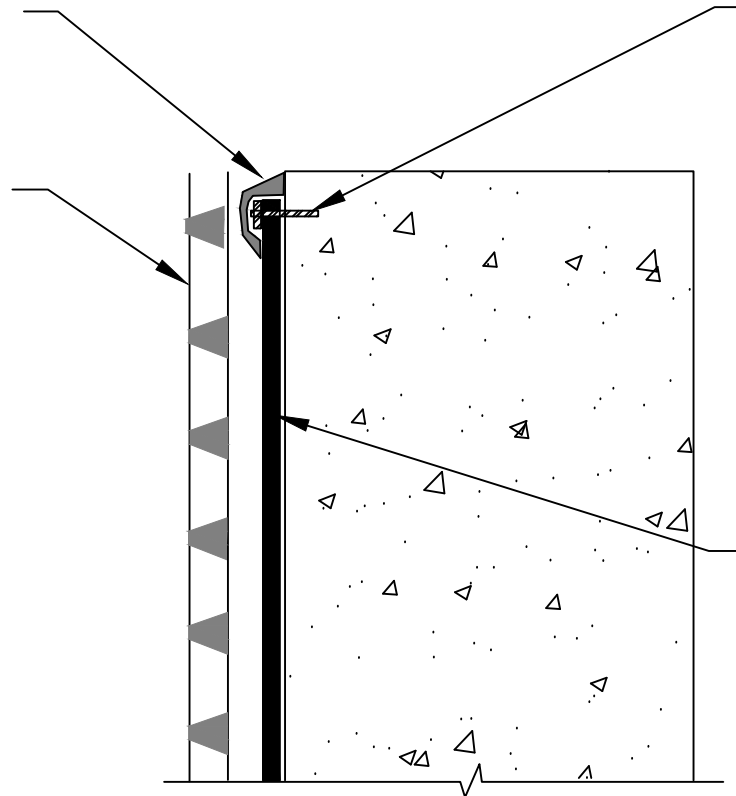
©POLYGUARD PRODUCTS, INC.
MATERIAL SEPARATED FOR CLARITY

<small>The information provided is based on data and knowledge considered to be true and accurate and is offered for the users' consideration, investigation and verification, but we do not warrant the results to be obtained. Please read all data sheets, statements, recommendations or suggestions in conjunction with our conditions of sale, which apply to all goods supplied by us.</small>	NOT TO SCALE
	EFFECTIVE DATE: 07/15/2024
	SUPERCEDES: 10/01/2022

POLYGUARD CR LIQUID MEMBRANE APPLIED OVER TERMINATION BAR AND ONTO POLYGUARD ULTRA CRM MEMBRANE A MINIMUM OF 1/2" - PREPARED WITH POLYGUARD CR SEALANT AT A RATE OF 175 - 200 SF/GAL

POLYGUARD POLYFLOW 15 MOLDED SHEET DRAIN - FABRIC FACING BACKFILL

1/8" X 1" METAL TERMINATION BAR FASTENED AT 8" SPACING AND 2" FROM EACH END - BY OTHERS



POLYGUARD ULTRA CRM MEMBRANE APPLIED TO SUBSTRATE PREPARED WITH POLYGUARD 650 LT LIQUID ADHESIVE OR POLYGUARD CALIFORNIA SEALANT AT A RATE OF 250 TO 300 SF/GAL

CRU5

SECTION @ TOP OF WALL TERMINATION

Polyguard Products, Inc.
P.O. Box 755 - Ennis, TX 75120
Phone: 214-515-5000
Web Site - www.polyguard.com

©POLYGUARD PRODUCTS, INC.
MATERIAL SEPARATED FOR CLARITY

<small>The information provided is based on data and knowledge considered to be true and accurate and is offered for the users' consideration, investigation and verification, but we do not warrant the results to be obtained. Please read all data sheets, statements, recommendations or suggestions in conjunction with our conditions of sale, which apply to all goods supplied by us.</small>	NOT TO SCALE
	EFFECTIVE DATE: 07/15/2024
	SUPERCEDES: 10/01/2022