

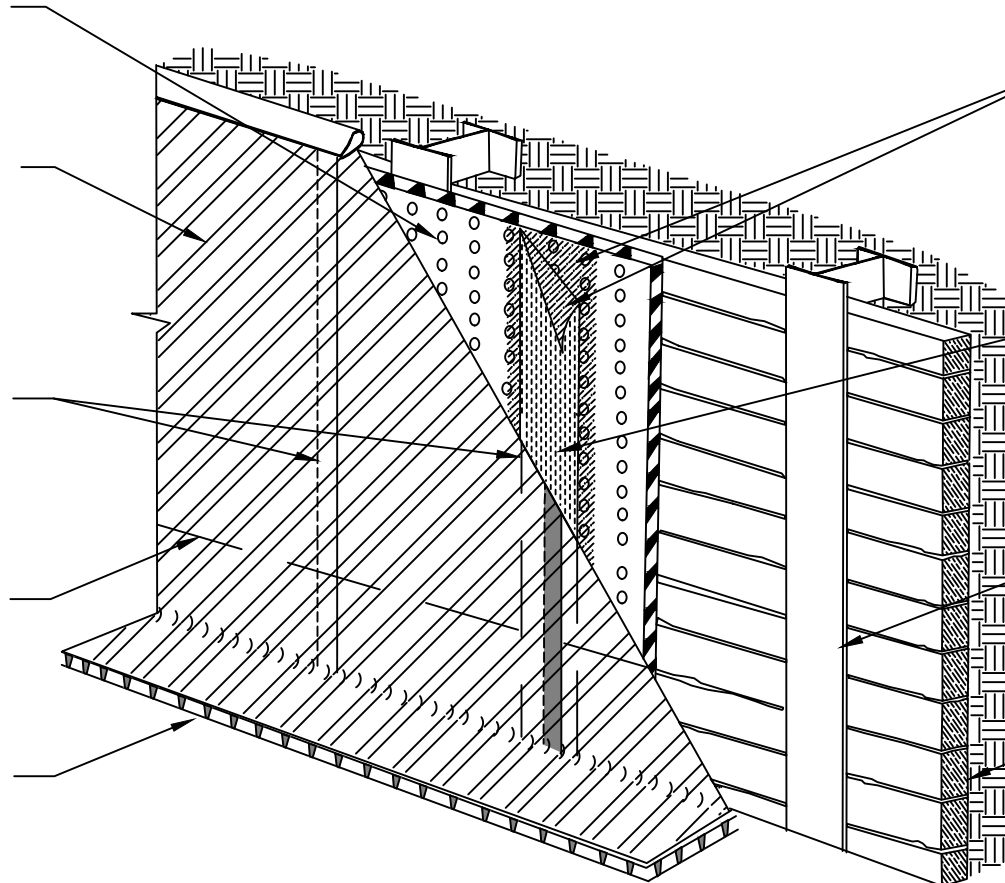
POLYGUARD
POLYFLOW 15 SHEET
MOLDED DRAIN
FABRIC FACING
RETENTION SYSTEM

POLYGUARD CRM
MEMBRANE FABRIC
FACING CONCRETE
POUR

POLYGUARD CRM
MEMBRANE 4"
FACTORY SELVEDGE
OVERLAP REFER TO
POLYGUARD
SELVEDGE LAP SEAM
DETAIL

VERTICAL LAP
REFERENCE
POLYGUARD END LAP
DETAIL

POLYGUARD
POLYFLOW 18 MOLDED
SHEET DRAIN FABRIC
TOWARD SUBSTRATE



SPRAY A 12" WIDE AREA OF
LOW RISE SPRAY ADHESIVE
ONTO DRAINBOARD AND ONTO
POLYGUARD CR SEAM TAPE
ALLOW TO FLASH OFF AND
PRESS POLYGUARD CRM
MEMBRANE AND POLYGUARD
CR SEAM TAPE INTO ADHESIVE
ON POLYGUARD POLYFLOW 15

POLYGUARD CR SEAM TAPE
APPLIED TO THE FILM SIDE OF
ALL SEAMS OF THE
POLYGUARD CRM MEMBRANE
AND PRESSED INTO THE LOW
RISE SPRAY ADHESIVE THAT
HAS BEEN APPLIED TO THE
DRAINBOARD

SOLDIER PILES AND LAGGING
- FILL GAPS GREATER THAN 2"
BETWEEN TIMBERS OR OTHER
SUBSTRATES WITH FAST SET
GROUT OR COVER WITH 1/2"
MINIMUM WOOD BASED
SHEATHING - BY OTHERS

LAGGING RETENTION SYSTEM -
BY OTHERS

SOIL RETENTION SYSTEM -
BY OTHERS



OVERVIEW @ EARTH RETENTION SYSTEM

Polyguard Products, Inc.
P.O. Box 755 - Ennis, TX 75120
Phone: 214-515-5000
Web Site - www.polyguard.com

©POLYGUARD PRODUCTS, INC.
MATERIAL SEPARATED FOR CLARITY

<p>The information provided is based on data and knowledge considered to be true and accurate and is offered for the users' consideration, investigation and verification, but we do not warrant the results to be obtained. Please read all data sheets, statements, recommendations or suggestions in conjunction with our conditions of sale, which apply to all goods supplied by us.</p>	NOT TO SCALE
	EFFECTIVE DATE: 07/15/2024
	SUPERCEDES: 10/01/2022

SPRAY A 12" WIDE AREA OF LOW RISE SPRAY ADHESIVE ONTO DRAINBOARD AND ONTO POLYGUARD CR SEAM TAPE ALLOW TO FLASH OFF AND PRESS POLYGUARD CRM MEMBRANE AND POLYGUARD CR SEAM TAPE INTO ADHESIVE ON POLYGUARD POLYFLOW 15

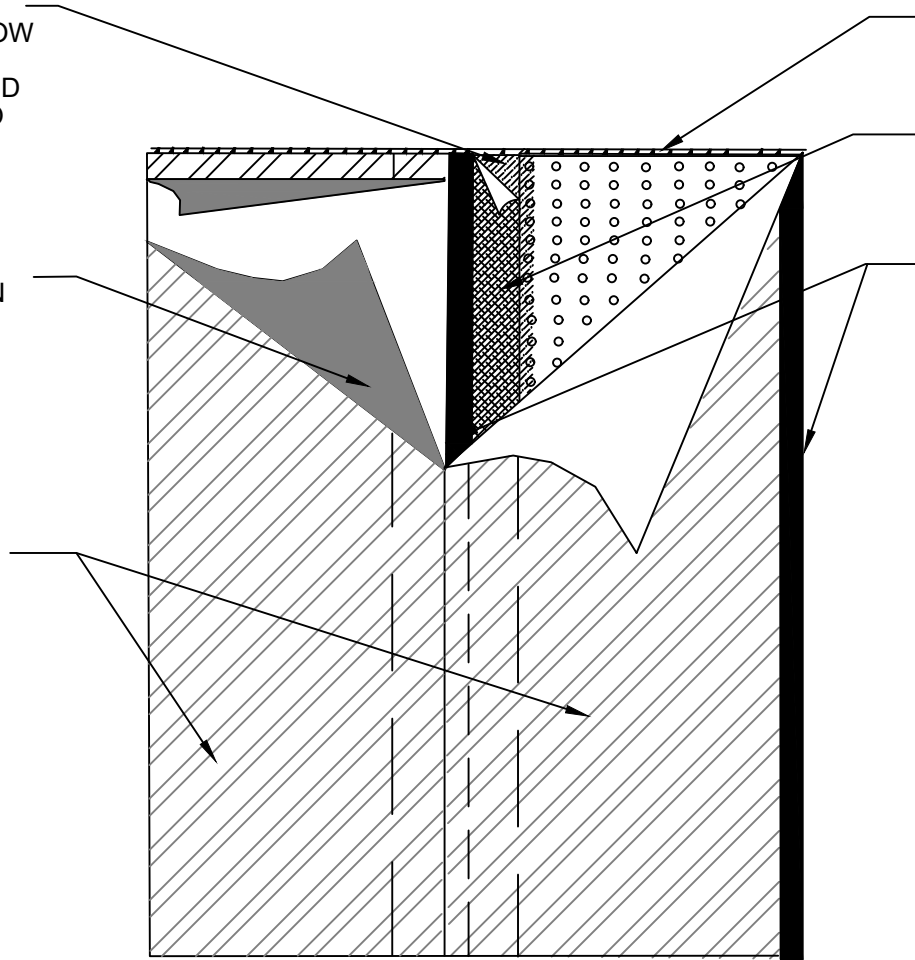
PROTECTIVE PACKAGING FILM REMOVED DURING INSTALLATION

POLYGUARD CR FABRIC TOWARD CONCRETE POUR

POLYGUARD POLYFLOW 15 SHEET MOLDED DRAIN - FABRIC FACING RETENTION SYSTEM

POLYGUARD CR SEAM TAPE APPLIED TO FILM SIDE OF POLYGUARD CRM MEMBRANE SEAM

4" FACTORY SELVEDGE EDGE WITH PROTECTIVE RELEASE FILM COVERING



OVERVIEW @ 4" SELVEDGE LAP SEAM

Polyguard Products, Inc.
P.O. Box 755 - Ennis, TX 75120
Phone: 214-515-5000
Web Site - www.polyguard.com

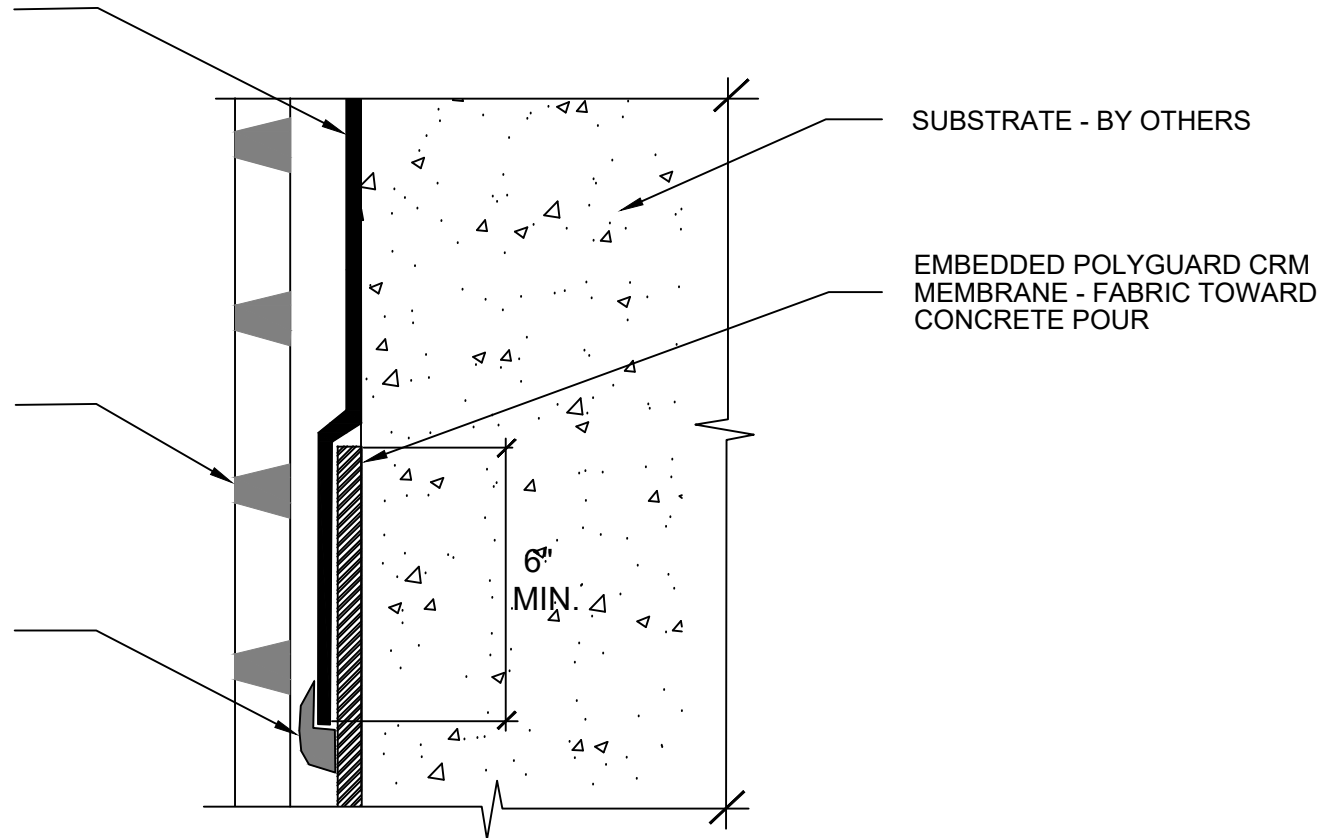
©POLYGUARD PRODUCTS, INC.
MATERIAL SEPARATED FOR CLARITY

<small>The information provided is based on data and knowledge considered to be true and accurate and is offered for the users' consideration, investigation and verification, but we do not warrant the results to be obtained. Please read all data sheets, statements, recommendations or suggestions in conjunction with our conditions of sale, which apply to all goods supplied by us.</small>	NOT TO SCALE
	EFFECTIVE DATE: 07/15/2024
	SUPERCEDES: 10/01/2022

POLYGUARD ULTRA CRM APPLIED TO CLEAN, DRY, FROST FREE SUBSTRATE PREPARED WITH POLYGUARD 650 LT LIQUID ADHESIVE OR POLYGUARD CALIFORNIA SEALANT AT A RATE OF 250 - 300 SF/GAL AND OVER EMBEDDED POLYGUARD CRM MEMBRANE A MINIMUM OF 6"

POLYGUARD POLYFLOW 15 SHEET MOLDED DRAIN FABRIC TOWARD SOIL

90 MILS MINIMUM POLYGUARD CR LIQUID MEMBRANE APPLIED TO TERMINAL EDGE OF POLYGUARD ULTRA CRM MEMBRANE AND ONTO EACH SIDE OF THE EDGE A MINIMUM OF 3/4" PREPARED WITH POLYGUARD CR SEALANT AT A RATE OF 175 - 200 SF/GAL OR APPLY 12" STRIP OF POLYGUARD CR SEAM TAPE CENTERED OVER TERMINATED EDGE



OVERVIEW @ EMBEDDED CRM MEMBRANE TIE IN TO ULTRA CRM MEMBRANE

Polyguard Products, Inc.
P.O. Box 755 - Ennis, TX 75120
Phone: 214-515-5000
Web Site - www.polyguard.com

©POLYGUARD PRODUCTS, INC.
MATERIAL SEPARATED FOR CLARITY

<small>The information provided is based on data and knowledge considered to be true and accurate and is offered for the users' consideration, investigation and verification, but we do not warrant the results to be obtained. Please read all data sheets, statements, recommendations or suggestions in conjunction with our conditions of sale, which apply to all goods supplied by us.</small>	NOT TO SCALE
	EFFECTIVE DATE: 07/15/2024
	SUPERCEDES: 10/01/2022

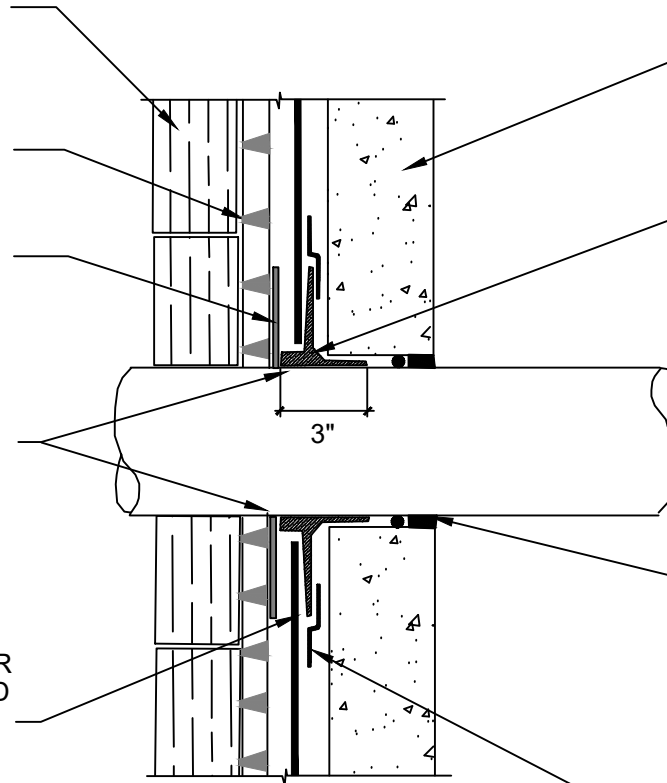
APPROVED SUBSTRATE - BY OTHERS

POLYGUARD POLYFLOW 15 MOLDED DRAIN FABRIC FACING RETENTION SYSTEM

POLYGUARD CR SEAM TAPE ADHESIVE SIDE TO FILM OF POLYGUARD CRM MEMBRANE

PENETRATION SIDEWALLS ABRADED AND PREPARED WITH POLYGUARD CR SEALANT AT A RATE OF 175 - 200 SF/GAL

POLYGUARD CRM MEMBRANE FABRIC TOWARD CONCRETE POUR AND EMBEDDED INTO POLYGUARD CR LIQUID MEMBRANE - PREPARE FABRIC WITH POLYGUARD CR SEALANT AT A RATE OF 50 - 75 SF/GAL



CONCRETE POUR - BY OTHERS

MINIMUM 90 MILS OF POLYGUARD CR LIQUID MEMBRANE APPLIED 3" ONTO PENETRATION AND POLYGUARD CRM MEMBRANE A MINIMUM 6" PREPARE FABRIC WITH POLYGUARD CR SEALANT APPLIED AT A RATE OF 50 - 75 SF/GAL

SEALANT AND BACKER ROD - BY OTHERS

POLYGUARD FABRIC TAPE APPLIED TO POLYGUARD CRM MEMBRANE AND POLYGUARD CR LIQUID MEMBRANE - PREPARE FABRIC WITH POLYGUARD CR SEALANT AT A RATE OF 50 - 75 SF/GAL PRIOR TO APPLICATION



OVERVIEW @ PENETRATION ROUGH FIT AROUND PENETRATION SIDEWALL

Polyguard Products, Inc.
P.O. Box 755 - Ennis, TX 75120
Phone: 214-515-5000
Web Site - www.polyguard.com

©POLYGUARD PRODUCTS, INC.
MATERIAL SEPARATED FOR CLARITY

<small>The information provided is based on data and knowledge considered to be true and accurate and is offered for the users' consideration, investigation and verification, but we do not warrant the results to be obtained. Please read all data sheets, statements, recommendations or suggestions in conjunction with our conditions of sale, which apply to all goods supplied by us.</small>	NOT TO SCALE
	EFFECTIVE DATE: 07/15/2024
	SUPERCEDES: 10/01/2022

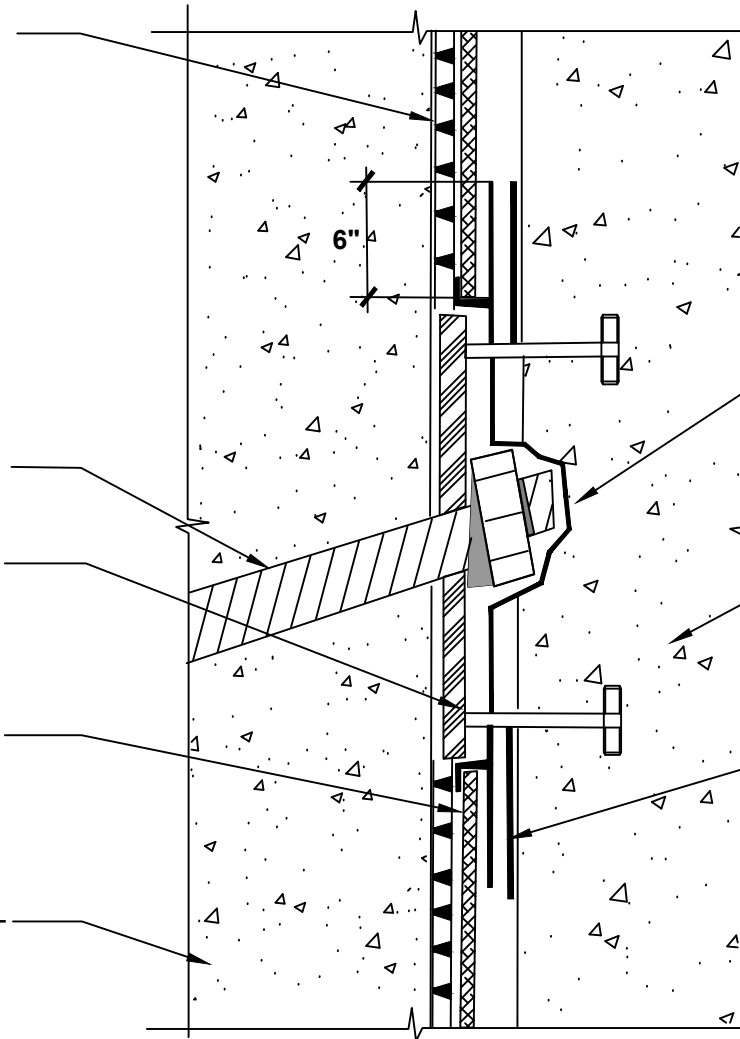
POLYGUARD POLYFLOW 15
DRAINAGE MAT - FABRIC
TOWARD SHOTCRETE
RETENTION SYSTEM

SOIL NAIL - BY OTHERS

STUD PLATE AND NELSON STUD
- BY OTHERS

FIELD SHEET OF CRM MEMBRANE
FABRIC FACING CONCRETE
STRUCTURAL WALL -
ENCAPSULATE EDGE IN WET
POLYGUARD CR LIQUID
MEMBRANE

SHOTCRETE RETENTION SYSTEM -
BY OTHERS



POLYGUARD CR LIQUID MEMBRANE
APPLIED OVER SOIL NAIL AND PLATE
AND ONTO POLYGUARD CRM
MEMBRANE A MINIMUM OF 6" -
PREPARE PLATE AND FABRIC OF
POLYGUARD CRM MEMBRANE WITH
POLYGUARD CR SEALANT AT A RATE
OF 50 - 75 SF/GAL

STRUCTURAL CONCRETE WALL - BY
OTHERS

POLYGUARD FABRIC TAPE APPLIED
OVER CURED POLYGUARD CR LIQUID
MEMBRANE PREPARED WITH
POLYGUARD CR SEALANT AT A RATE
OF 250 - 300 SF/GAL

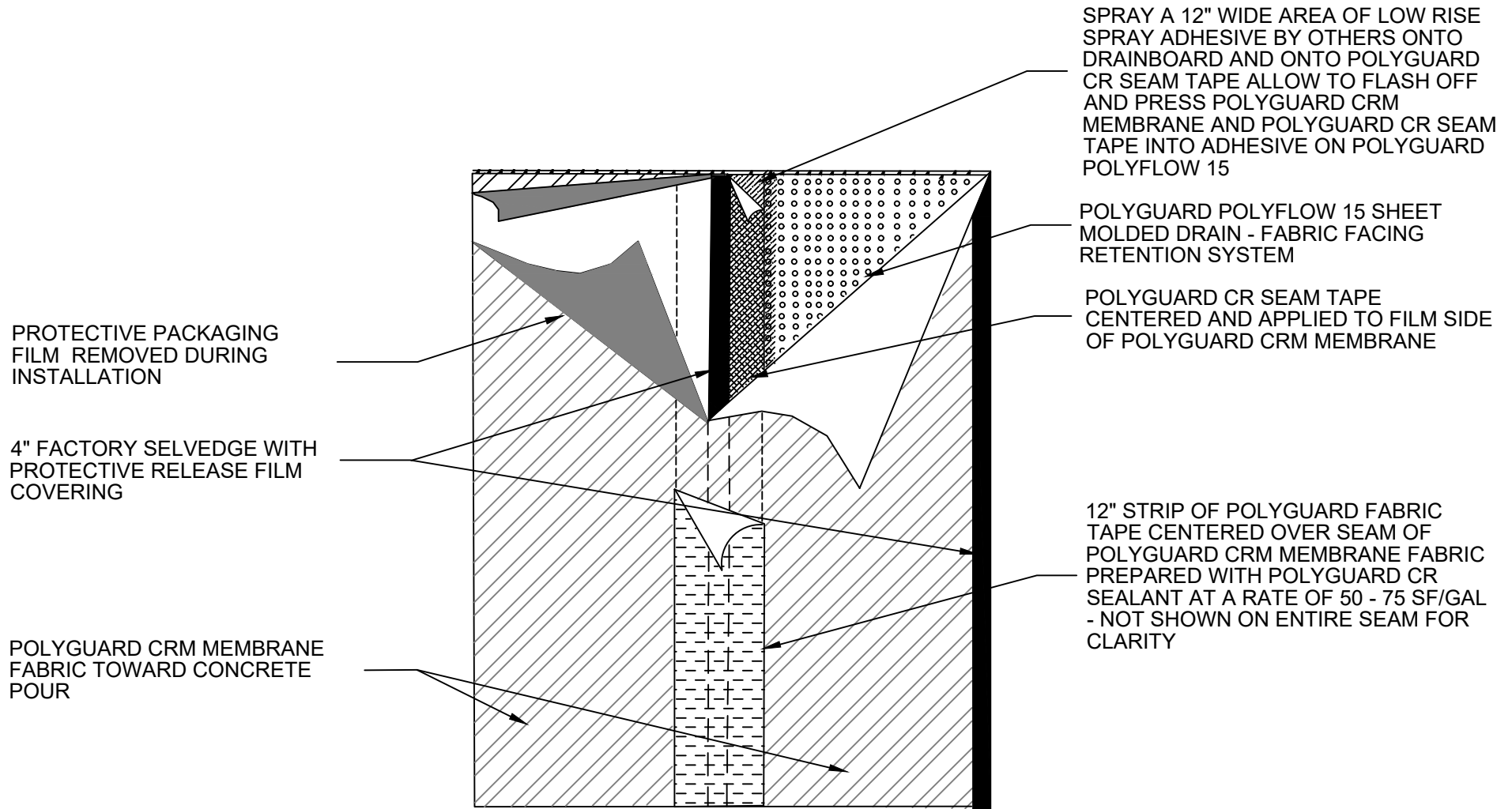


OVERVIEW @ SOIL NAIL / STUD PLATE CONDITION

Polyguard Products, Inc.
P.O. Box 755 - Ennis, TX 75120
Phone: 214-515-5000
Web Site - www.polyguard.com

©POLYGUARD PRODUCTS, INC.
MATERIAL SEPARATED FOR CLARITY

<small>The information provided is based on data and knowledge considered to be true and accurate and is offered for the users' consideration, investigation and verification, but we do not warrant the results to be obtained. Please read all data sheets, statements, recommendations or suggestions in conjunction with our conditions of sale, which apply to all goods supplied by us.</small>	NOT TO SCALE
	EFFECTIVE DATE: 07/15/2024
	SUPERCEDES: 10/01/2022



CRV6

OVERVIEW @ VERTICAL CRM MEMBRANE REINFORCED SEAM

Polyguard Products, Inc.
P.O. Box 755 - Ennis, TX 75120
Phone: 214-515-5000
Web Site - www.polyguard.com

©POLYGUARD PRODUCTS, INC.
MATERIAL SEPARATED FOR CLARITY

<small>The information provided is based on data and knowledge considered to be true and accurate and is offered for the users' consideration, investigation and verification, but we do not warrant the results to be obtained. Please read all data sheets, statements, recommendations or suggestions in conjunction with our conditions of sale, which apply to all goods supplied by us.</small>	NOT TO SCALE
	EFFECTIVE DATE: 07/15/2024
	SUPERCEDES: 10/01/2022

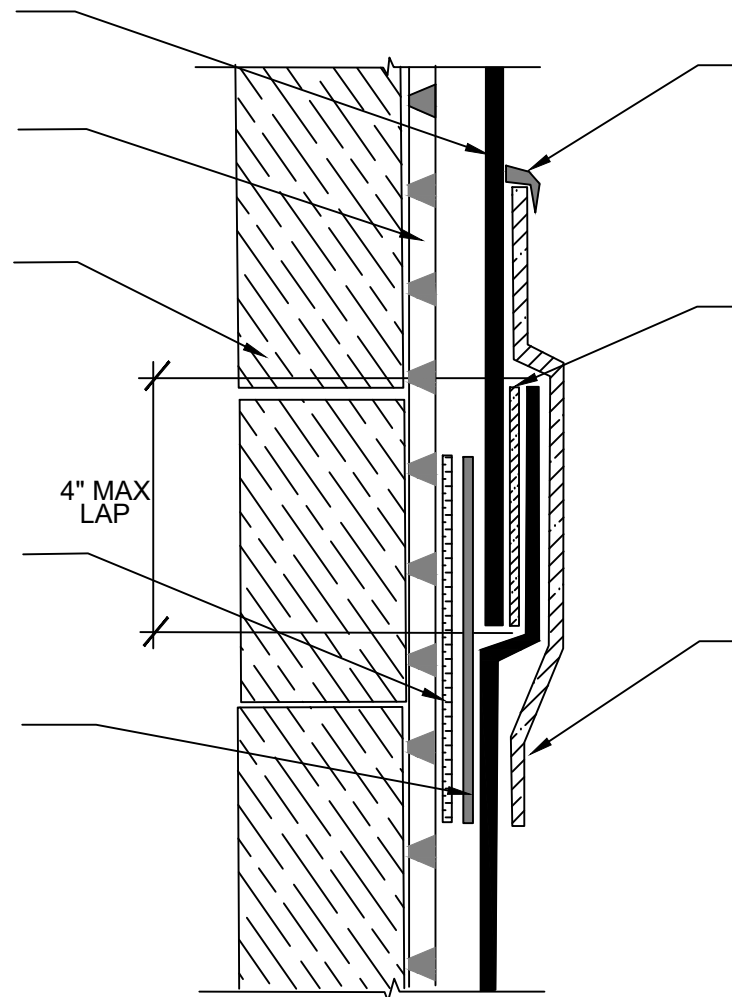
POLYGUARD CRM MEMBRANE FABRIC FACING CONCRETE POUR

POLYGUARD POLYFLOW 15 MOLDED DRAINAGE BOARD - FABRIC FACING RETENTION SYSTEM

RETENTION SYSTEM - WOOD LAGGING SHOWN - BY OTHERS

SPRAY A 12" WIDE AREA OF LOW RISE SPRAY ADHESIVE ONTO DRAINBOARD AND ONTO POLYGUARD CR SEAM TAPE ALLOW TO FLASH OFF AND PRESS POLYGUARD CRM MEMBRANE AND POLYGUARD CR SEAM TAPE INTO ADHESIVE ON POLYGUARD POLYFLOW 15

POLYGUARD CR SEAM TAPE APPLIED TO THE FILM SIDE OF ALL SEAMS OF THE POLYGUARD CRM MEMBRANE AND PRESSED INTO THE LOW RISE SPRAY ADHESIVE THAT HAS BEEN APPLIED TO THE DRAINBOARD



COVERING BEAD OF POLYGUARD DETAIL SEALANT PW OR POLYGUARD LM-95 APPLIED TO FABRIC OF POLYGUARD BLINDSIDE MEMBRANE. PREPARE FABRIC BEING COVERED WITH POLYGUARD 650 LT LIQUID ADHESIVE OR POLYGUARD CALIFORNIA SEALANT AT A RATE OF 50 - 75 SF/GAL

MINIMUM 90 MILS OF POLYGUARD CR LIQUID MEMBRANE APPLIED TO POLYGUARD CRM MEMBRANE MAXIMUM 4" - PREPARE FABRIC WITH POLYGUARD CR SEALANT APPLIED AT A RATE OF 50 -75 SF/GAL

12" STRIP OF POLYGUARD FABRIC TAPE CENTERED AND ADHERED ACROSS THE ENDLAP SEAM - EXTEND TO 6" BEYOND EACH SIDE SEAM OF ENDLAP - PREPARE FABRIC BEING COVERED WITH POLYGUARD 650 LT LIQUID ADHESIVE OR POLYGUARD CALIFORNIA SEALANT APPLIED AT A RATE OF 50 - 75 SF/GAL

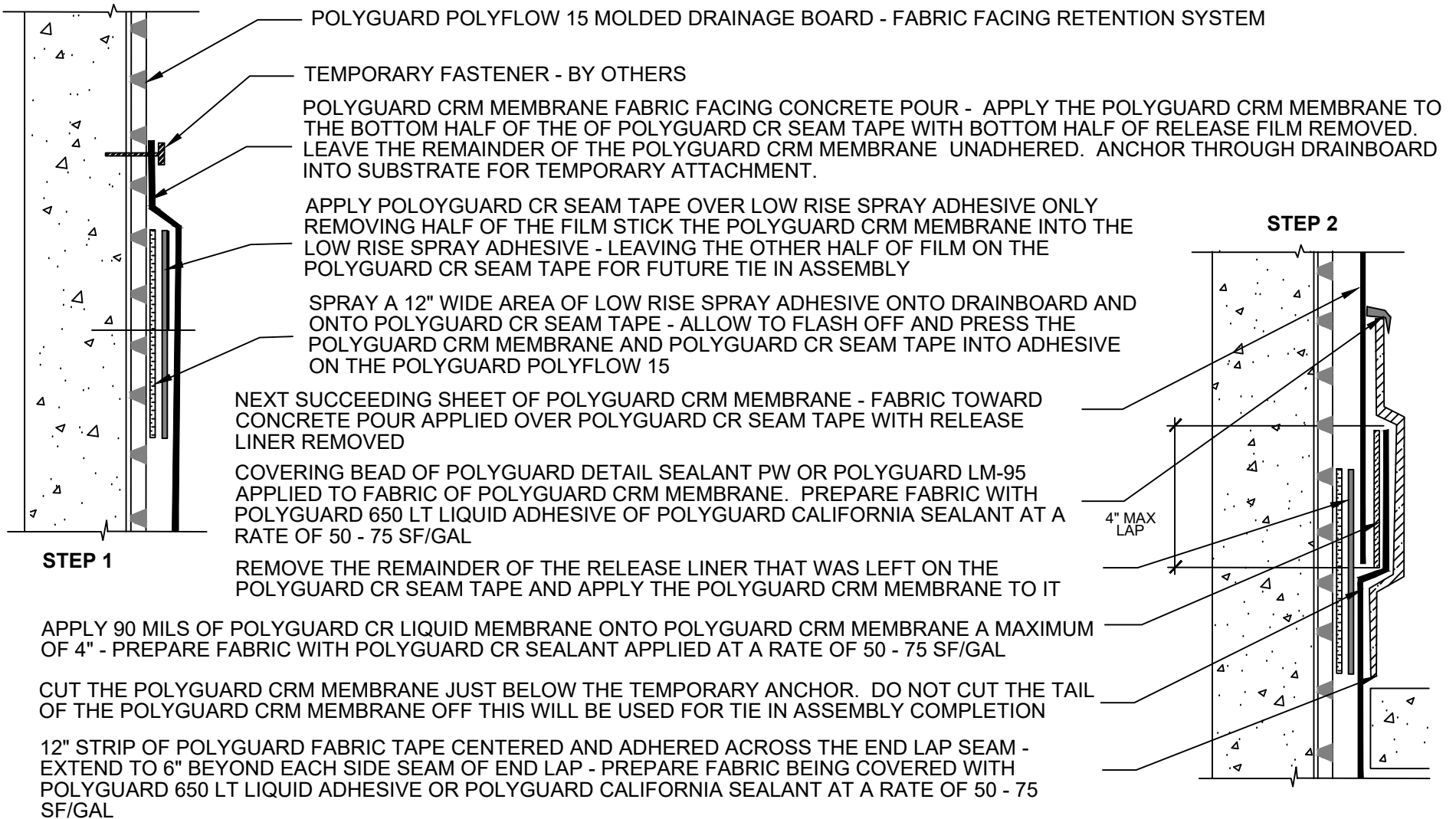


SECTION @ CRM MEMBRANE END LAP IN CENTER OF LIFT

Polyguard Products, Inc.
P.O. Box 755 - Ennis, TX 75120
Phone: 214-515-5000
Web Site - www.polyguard.com

©POLYGUARD PRODUCTS, INC.
MATERIAL SEPARATED FOR CLARITY

<p>The information provided is based on data and knowledge considered to be true and accurate and is offered for the users' consideration, investigation and verification, but we do not warrant the results to be obtained. Please read all data sheets, statements, recommendations or suggestions in conjunction with our conditions of sale, which apply to all goods supplied by us.</p>	NOT TO SCALE
	EFFECTIVE DATE: 07/15/2024
	SUPERCEDES: 10/01/2022



CRV8

SECTION @ CRM MEMBRANE TEMPORARY END LAP SECUREMENT AT TOP OF LIFT

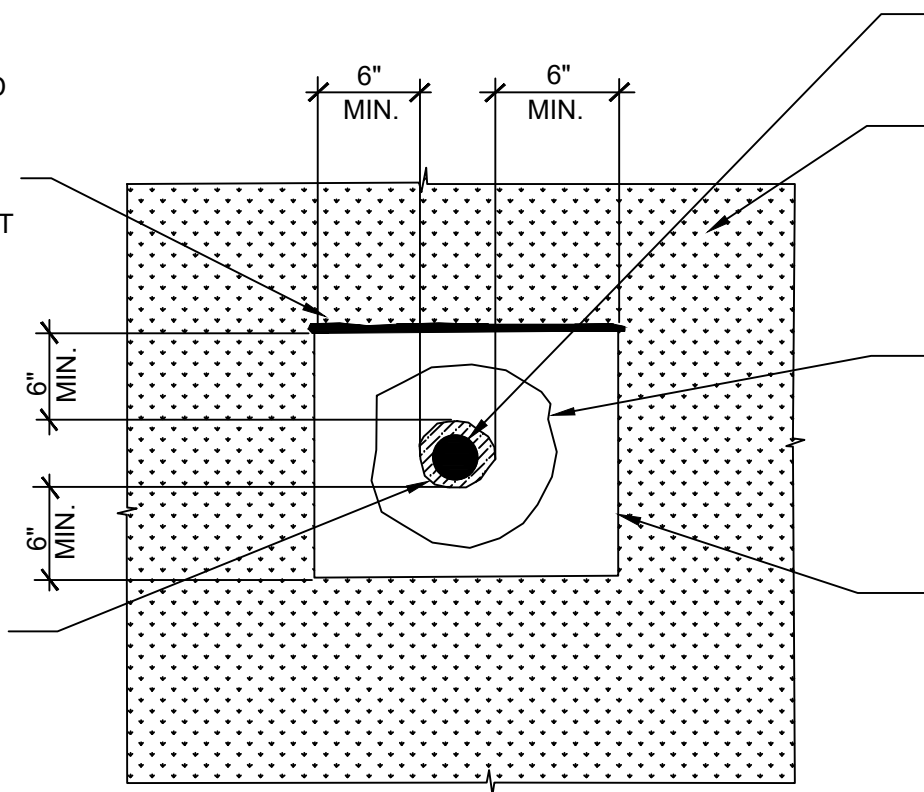
Polyguard Products, Inc.
P.O. Box 755 - Ennis, TX 75120
Phone: 214-515-5000
Web Site - www.polyguard.com

©POLYGUARD PRODUCTS, INC.
MATERIAL SEPARATED FOR CLARITY

<small>The information provided is based on data and knowledge considered to be true and accurate and is offered for the users' consideration, investigation and verification, but we do not warrant the results to be obtained. Please read all data sheets, statements, recommendations or suggestions in conjunction with our conditions of sale, which apply to all goods supplied by us.</small>	NOT TO SCALE
	EFFECTIVE DATE: 07/15/2024
	SUPERCEDES: 10/01/2022

APPLY A BEAD OF POLYGUARD CR LIQUID MEMBRANE TO TOP TERMINATION OF PATCH - PREPARE FABRIC OF POLYGUARD FABRIC TAPE WITH POLYGUARD CR SEALANT AT A RATE OF 50 - 75 SF/GAL

SPREAD A 1" MINIMUM LAYER OF POLYGUARD CR LIQUID MEMBRANE TO THE BACKSIDE OF THE POLYGUARD CRM MEMBRANE AND INTO HOLE COMPLETELY FILLING HOLE - ENSURE THAT ALL MEMBRANE EDGES ARE COATED COMPLETELY



REPAIR AREA LESS THAN 2"

POLYGUARD CRM MEMBRANE FABRIC PREPARED WITH POLYGUARD CR SEALANT APPLIED TO A CLEANED AREA 6" BEYOND THE DAMAGE IN ALL DIRECTIONS AT A RATE OF 50 - 75 SF/GAL

APPLY 60 MILS OF POLYGUARD CR LIQUID MEMBRANE OVER POLYGUARD CR SEAM TAPE AND 3" PAST OUTER EDGE OF HOLE ONTO FABRIC OF POLYGUARD CRM MEMBRANE PREPARED WITH POLYGUARD CR SEALANT AT A RATE OF 50 - 75 SF/GAL

POLYGUARD FABRIC TAPE APPLIED OVER POLYGUARD CR LIQUID MEMBRANE AND FABRIC OF POLYGUARD CRM MEMBRANE PREPARED WITH POLYGUARD CR SEALANT AT A RATE OF 50 - 75 SF/GAL



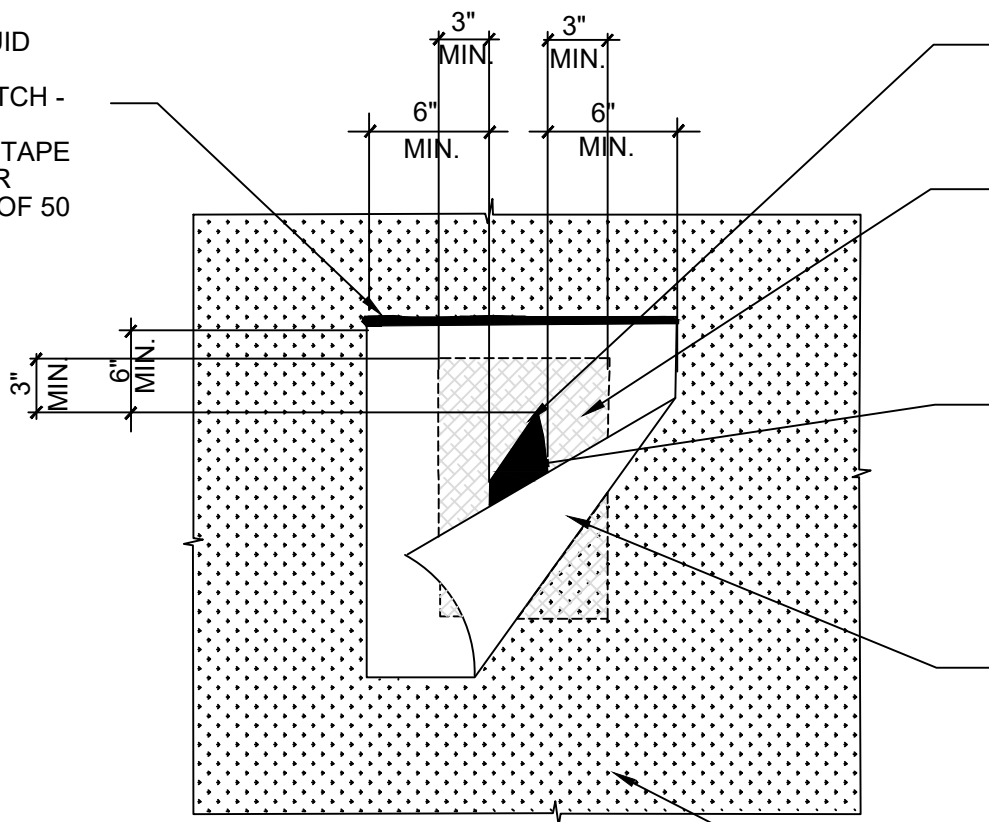
OVERVIEW @ REPAIR PATCH LESS THAN 2"

Polyguard Products, Inc.
P.O. Box 755 - Ennis, TX 75120
Phone: 214-515-5000
Web Site - www.polyguard.com

©POLYGUARD PRODUCTS, INC.
MATERIAL SEPARATED FOR CLARITY

<small>The information provided is based on data and knowledge considered to be true and accurate and is offered for the users' consideration, investigation and verification, but we do not warrant the results to be obtained. Please read all data sheets, statements, recommendations or suggestions in conjunction with our conditions of sale, which apply to all goods supplied by us.</small>	NOT TO SCALE
	EFFECTIVE DATE: 07/15/2024
	SUPERCEDES: 10/01/2022

APPLY A BEAD OF POLYGUARD CR LIQUID MEMBRANE TO TOP TERMINATION OF PATCH - PREPARE FABRIC OF POLYGUARD FABRIC TAPE WITH POLYGUARD CR SEALANT AT A RATE OF 50 -75 SF/GAL



REPAIR AREA GREATER THAN 2"

OPEN HOLE AND APPLY PIECE OF POLYGUARD CR SEAM TAPE TO FILM SIDE OF POLYGUARD CRM MEMBRANE A MINIMUM 3" LARGER IN ALL DIRECTIONS OF AREA TO REPAIR

APPLY 60 MILS OF POLYGUARD CR LIQUID MEMBRANE OVER POLYGUARD CR SEAM TAPE AND 3" PAST OUTER EDGE OF HOLE ONTO FABRIC OF POLYGUARD CRM MEMBRANE PREPARED WITH POLYGUARD CR SEALANT AT A RATE OF 50 - 75 SF/GAL

APPLY A PIECE OF POLYGUARD FABRIC TAPE 6" LARGER IN ALL DIRECTION AND CENTERED OVER EXISTING POLYGUARD CR LIQUID MEMBRANE AND FABRIC OF POLYGUARD CRM MEMBRANE PREPARED WITH POLYGUARD CR SEALANT AT A RATE OF 50 - 75 SF/GAL

EXISTING POLYGUARD CRM MEMBRANE FABRIC TOWARD CONCRETE POUR



OVERVIEW @ REPAIR PATCH GREATER THAN 2"

Polyguard Products, Inc.
P.O. Box 755 - Ennis, TX 75120
Phone: 214-515-5000
Web Site - www.polyguard.com

©POLYGUARD PRODUCTS, INC.
MATERIAL SEPARATED FOR CLARITY

<small>The information provided is based on data and knowledge considered to be true and accurate and is offered for the users' consideration, investigation and verification, but we do not warrant the results to be obtained. Please read all data sheets, statements, recommendations or suggestions in conjunction with our conditions of sale, which apply to all goods supplied by us.</small>	NOT TO SCALE
	EFFECTIVE DATE: 07/15/2024
	SUPERCEDES: 10/01/2022

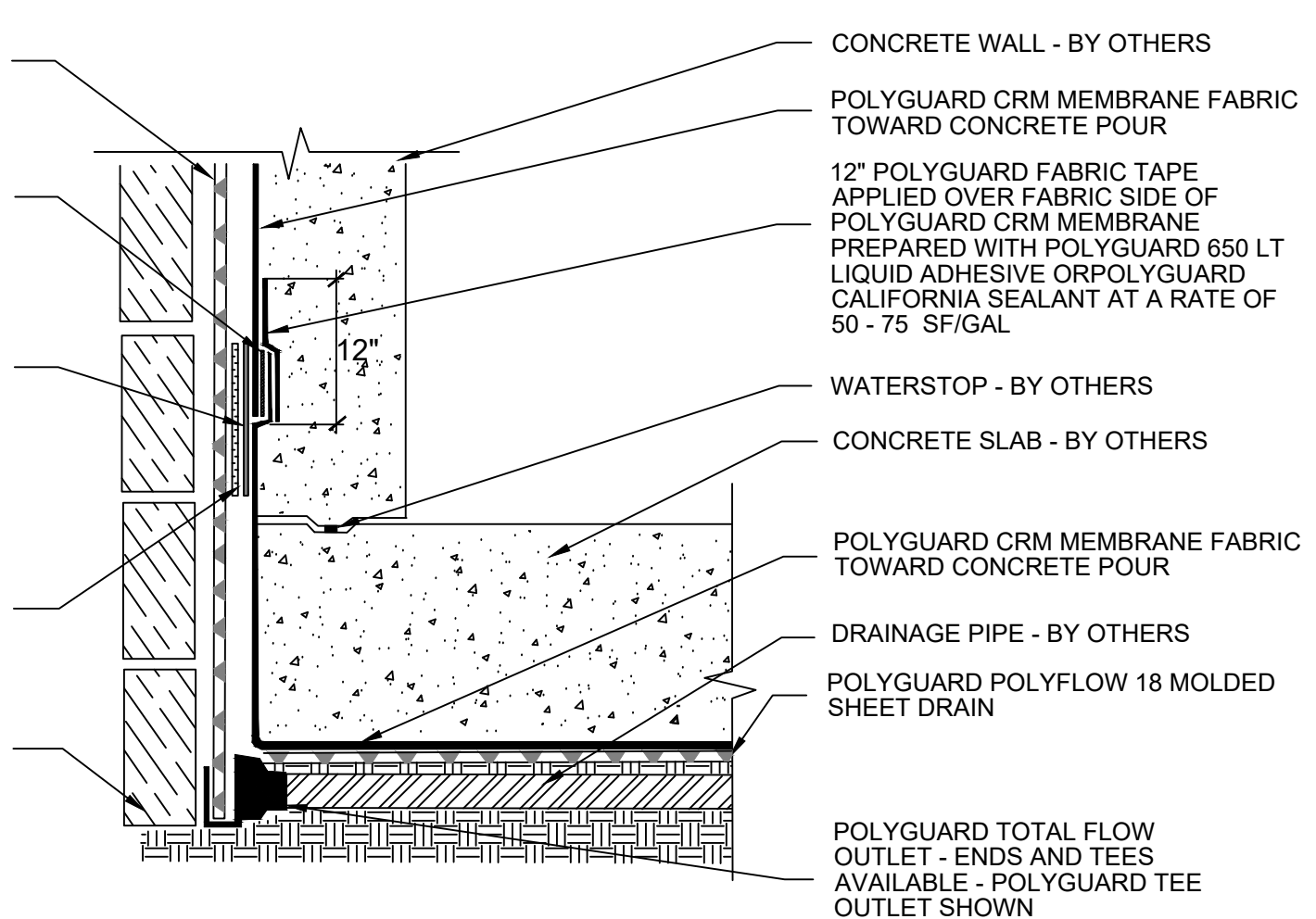
POLYGUARD POLYFLOW 15 SHEET
MOLDED DRAIN FABRIC FACING
RETENTION SYSTEM

MINIMUM 90 MILS OF POLYGUARD
CR LIQUID MEMBRANE APPLIED TO
POLYGUARD CRM MEMBRANE
MAXIMUM 4" - PREPARE FABRIC
WITH POLYGUARD CR SEALANT AT
A RATE OF 50 - 75 SF/GAL

POLYGUARD CR SEAM TAPE
APPLIED TO THE FILM SIDE OF ALL
SEAMS OF THE POLYGUARD CRM
MEMBRANE AND PRESSED INTO
THE LOW RISE SPRAY ADHESIVE
THAT HAS BEEN APPLIED TO THE
DRAINBOARD

SPRAY A 12" WIDE AREA OF LOW
RISE SPRAY ADHESIVE ONTO
DRAINBOARD BEHIND POLYGUARD
CR SEAM TAPE AND PRESS
POLYGUARD CRM MEMBRANE AND
POLYGUARD CR SEAM TAPE INTO
ADHESIVE ON POLYGUARD
POLYFLOW 15

APPROVED RETENTION SYSTEM
- TIMBER LAGGING SHOWN - BY
OTHERS



CONCRETE WALL - BY OTHERS

POLYGUARD CRM MEMBRANE FABRIC
TOWARD CONCRETE POUR

12" POLYGUARD FABRIC TAPE
APPLIED OVER FABRIC SIDE OF
POLYGUARD CRM MEMBRANE
PREPARED WITH POLYGUARD 650 LT
LIQUID ADHESIVE OR POLYGUARD
CALIFORNIA SEALANT AT A RATE OF
50 - 75 SF/GAL

WATERSTOP - BY OTHERS

CONCRETE SLAB - BY OTHERS

POLYGUARD CRM MEMBRANE FABRIC
TOWARD CONCRETE POUR

DRAINAGE PIPE - BY OTHERS

POLYGUARD POLYFLOW 18 MOLDED
SHEET DRAIN

POLYGUARD TOTAL FLOW
OUTLET - ENDS AND TEES
AVAILABLE - POLYGUARD TEE
OUTLET SHOWN

CRV11

SECTION @ CRM MEMBRANE TIE IN TO CRM MEMBRANE

Polyguard Products, Inc.
P.O. Box 755 - Ennis, TX 75120
Phone: 214-515-5000
Web Site - www.polyguard.com

©POLYGUARD PRODUCTS, INC.
MATERIAL SEPARATED FOR CLARITY

<p>The information provided is based on data and knowledge considered to be true and accurate and is offered for the users' consideration, investigation and verification, but we do not warrant the results to be obtained. Please read all data sheets, statements, recommendations or suggestions in conjunction with our conditions of sale, which apply to all goods supplied by us.</p>	NOT TO SCALE
	EFFECTIVE DATE: 07/15/2024
	SUPERCEDES: 10/01/2022

TOPPING SLAB - BY OTHERS

POLYGUARD POLYFLOW 18
DRAINAGE COMPOSITE AS
REQUIRED

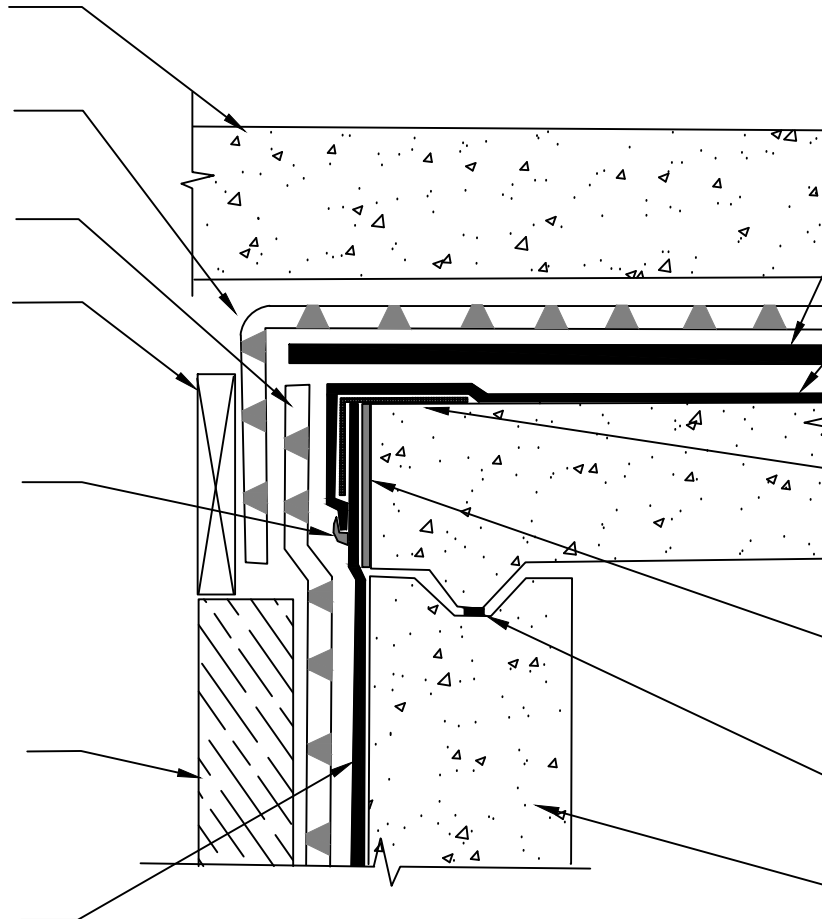
POLYGUARD POLYFLOW 15
SHEET MOLDED DRAIN FABRIC
FACING RETENTION SYSTEM

TEMPORARY FORM (REMOVE
FOR TIE IN) - BY OTHERS

MINIMUM 90 MILS OF POLYGUARD
CR LIQUID MEMBRANE
EXTENDED A MINIMUM OF 1/2" TO
EACH SIDE OF THE TERMINAL
EDGE APPLIED TO HDPE
PREPARED WITH POLYGUARD CR
SEALANT AT A RATE OF 50 - 75
SF/GAL OR USE POLYGUARD CR
SEAM TAPE CENTERED OVER
TERMINATION.

APPROVED RETENTION SYSTEM
- TIMBER LAGGING SHOWN - BY
OTHERS

POLYGUARD CRM MEMBRANE
APPLIED OVER POLYGUARD 606
TAPE - PREPARE FABRIC OF
POLYGUARD CRM MEMBRANE
WITH POLYGUARD CR SEALANT
AT A RATE OF 50 - 75 SF/GAL



PROTECTION COURSE AS
REQUIRED - BY OTHERS

POLYGUARD ULTRA CRM
MEMBRANE APPLIED TO
SUBSTRATE PREPARED WITH
POLYGUARD 650 LT LIQUID
ADHESIVE OR POLYGUARD
CALIFORNIA SEALANT AT A RATE
OF 250 - 300 SF/GAL AND ONTO
FILM SIDE OF POLYGUARD CRM
MEMBRANE

POLYGUARD DETAIL TAPE
APPLIED TO SUBSTRATE
PREPARED WITH POLYGUARD
650 LT LIQUID ADHESIVE OR
POLYGUARD CALIFORNIA
SEALANT AT A RATE OF 250 - 300
SF/GAL

POLYGUARD 606 TAPE APPLIED
TO SUBSTRATE PREPARED WITH
POLYGUARD 650 LT LIQUID
ADHESIVE OR POLYGUARD
CALIFORNIA SEALANT AT A RATE
OF 250 - 300 SF/GAL

WATERSTOP - BY OTHERS

CONCRETE WALL - BY OTHERS

CRV12

SECTION @ CRM MEMBRANE TIE IN TO ULTRA CRM MEMBRANE

Polyguard Products, Inc.
P.O. Box 755 - Ennis, TX 75120
Phone: 214-515-5000
Web Site - www.polyguard.com

©POLYGUARD PRODUCTS, INC.
MATERIAL SEPARATED FOR CLARITY

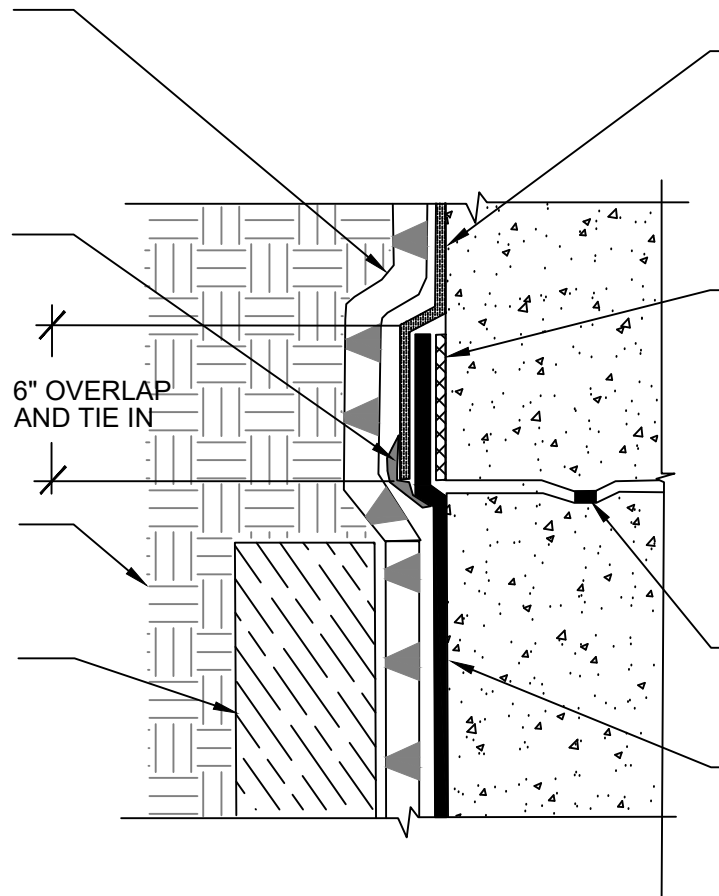
<small>The information provided is based on data and knowledge considered to be true and accurate and is offered for the users' consideration, investigation and verification, but we do not warrant the results to be obtained. Please read all data sheets, statements, recommendations or suggestions in conjunction with our conditions of sale, which apply to all goods supplied by us.</small>	NOT TO SCALE
	EFFECTIVE DATE: 07/15/2024
	SUPERCEDES: 10/01/2022

POLYGUARD POLYFLOW 15 SHEET MOLDED DRAINAGE - FABRIC FACING RETENTION SYSTEM AND BACKFILL

MINIMUM 90 MILS OF POLYGUARD CR LIQUID MEMBRANE EXTENDED A MINIMUM OF 1/2" TO EACH SIDE OF THE TERMINAL EDGE APPLIED TO HDPE PREPARED WITH POLYGUARD CR SEALANT AT A RATE OF 50 - 75 SF/GAL OR USE POLYGUARD CR SEAM TAPE CENTERED OVER TERMINATION

SOIL - BY OTHERS

RETENTION SYSTEM - WOOD LAGGING SHOWN - BY OTHERS



POLYGUARD ULTRA CRM MEMBRANE APPLIED TO CLEAN, DRY, FROST FREE SUBSTRATE PREPARED WITH POLYGUARD 650 LT LIQUID ADHESIVE OR POLYGUARD CALIFORNIA SEALANT AT A RATE OF 250 - 300 SF/GAL AND ONTO EXISTING POLYGUARD CRM MEMBRANE MINIMUM OF 6"

POLYGUARD 606 TAPE APPLIED TO CLEAN, DRY, FROST FREE SUBSTRATE PREPARED WITH POLYGUARD 650 LT LIQUID ADHESIVE OR POLYGUARD CALIFORNIA SEALANT AT A RATE OF 250 - 300 SF/GAL

WATERSTOP - BY OTHERS

POLYGUARD CRM MEMBRANE FABRIC TOWARD CONCRETE POUR - FOLD BACK TOP FLAP AND PREPARE WITH POLYGUARD 650 LT LIQUID ADHESIVE OR POLYGUARD CALIFORNIA SEALANT AT A RATE OF 50 - 75 SF/GAL PRIOR TO APPLYING OVER POLYGUARD 606 TAPE

CRV13

SECTION @ VERTICAL TERMINATION ULTRA CRM MEMBRANE TO CRM MEMBRANE

Polyguard Products, Inc.
P.O. Box 755 - Ennis, TX 75120
Phone: 214-515-5000
Web Site - www.polyguard.com

©POLYGUARD PRODUCTS, INC.
MATERIAL SEPARATED FOR CLARITY

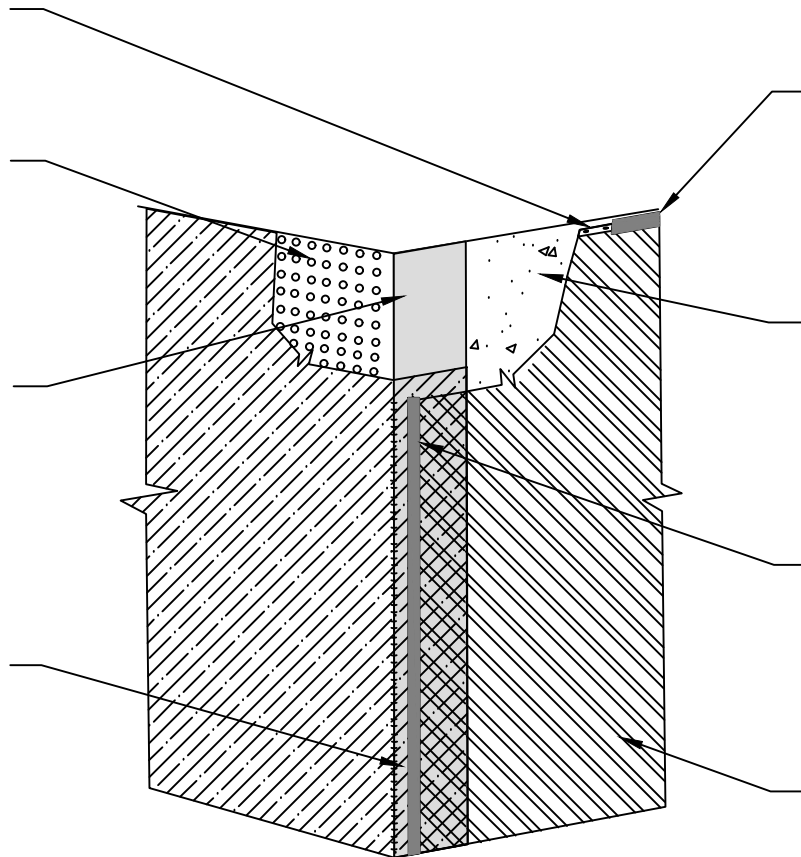
<p>The information provided is based on data and knowledge considered to be true and accurate and is offered for the users' consideration, investigation and verification, but we do not warrant the results to be obtained. Please read all data sheets, statements, recommendations or suggestions in conjunction with our conditions of sale, which apply to all goods supplied by us.</p>	NOT TO SCALE
	EFFECTIVE DATE: 07/15/2024
	SUPERCEDES: 10/01/2022

1/8" x 1" METAL TERMINATION STRIP ALIGNED ALONG TOP EDGE OF POLYGUARD ULTRA CRM MEMBRANE AND FASTENED NOT GREATER THAN 8" SPACING - BY OTHERS

POLYGUARD POLYFLOW 15 MOLDED SHEET DRAIN - FABRIC TOWARD RETENTION SYSTEM

12" STRIP OF POLYGUARD 606 TAPE APPLIED TO CLEAN, DRY AND FROST FREE CONCRETE PREPARED WITH POLYGUARD 650 LT LIQUID ADHESIVE OR POLYGUARD CALIFORNIA SEALANT APPLIED AT A RATE OF 250 - 300 SF/GAL

12" POLYGUARD CRM MEMBRANE TAIL APPLIED OVER 12" STRIP OF POLYGUARD 606 TAPE - PREPARE FABRIC SIDE OF POLYGUARD CRM MEMBRANE WITH POLYGUARD 650 LT LIQUID ADHESIVE OR POLYGUARD CALIFORNIA SEALANT AT A RATE OF 50 - 75 SF/GAL



MINIMUM 90 MILS OF POLYGUARD CR LIQUID MEMBRANE APPLIED TO THE TERMINAL EDGE OF TERMINATION STRIP COVERING FASTENERS AND EXTENDING 1/2" ABOVE AND BELOW TERMINATION STRIP - PREPARE SURFACE WITH POLYGUARD CR SEALANT AT A RATE OF 175 - 200 SF/GAL PRIOR TO POLYGUARD CR LIQUID MEMBRANE

CLEAN DRY FROST FREE CONCRETE - BY OTHERS

MINIMUM 90 MILS OF POLYGUARD CR LIQUID MEMBRANE APPLIED TO THE TERMINAL EDGE OF POLYGUARD ULTRA CRM MEMBRANE AND EXTENDING 1/2" BEYOND TERMINAL EDGE IN BOTH DIRECTIONS - PREPARE SURFACE WITH POLYGUARD CR SEALANT AT A RATE OF 175 - 200 SF/GAL PRIOR TO POLYGUARD CR LIQUID MEMBRANE OR APPLY A STRIP OF POLYGUARD CR SEAM TAPE CENTERED OVER TERMINATION

POLYGUARD ULTRA CRM MEMBRANE APPLIED TO CLEAN, DRY AND FROST FREE SUBSTRATE PREPARED WITH POLYGUARD 650 LT LIQUID ADHESIVE OR POLYGUARD CALIFORNIA SEALANT AT A RATE OF 250 - 300 SF/GAL

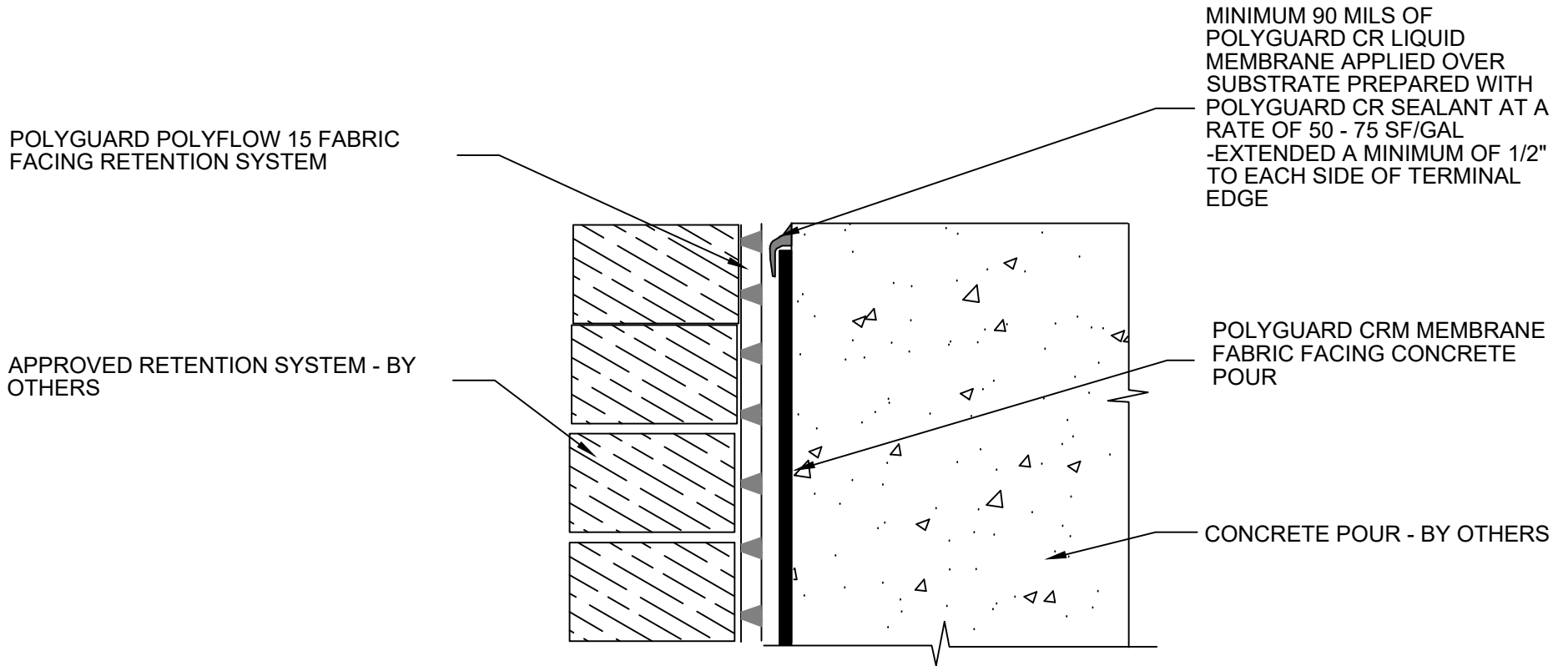
CRV14

SECTION @ CRM MEMBRANE TIE IN TO ULTRA CRM MEMBRANE AT OUTSIDE CORNER

Polyguard Products, Inc.
P.O. Box 755 - Ennis, TX 75120
Phone: 214-515-5000
Web Site - www.polyguard.com

©POLYGUARD PRODUCTS, INC.
MATERIAL SEPARATED FOR CLARITY

<small>The information provided is based on data and knowledge considered to be true and accurate and is offered for the users' consideration, investigation and verification, but we do not warrant the results to be obtained. Please read all data sheets, statements, recommendations or suggestions in conjunction with our conditions of sale, which apply to all goods supplied by us.</small>	NOT TO SCALE
	EFFECTIVE DATE: 07/15/2024
	SUPERCEDES: 10/01/2022



CRV15 SECTION @ TOP OF WALL EMBEDDED TERMINATION

Polyguard Products, Inc.
P.O. Box 755 - Ennis, TX 75120
Phone: 214-515-5000
Web Site - www.polyguard.com

©POLYGUARD PRODUCTS, INC.
MATERIAL SEPARATED FOR CLARITY

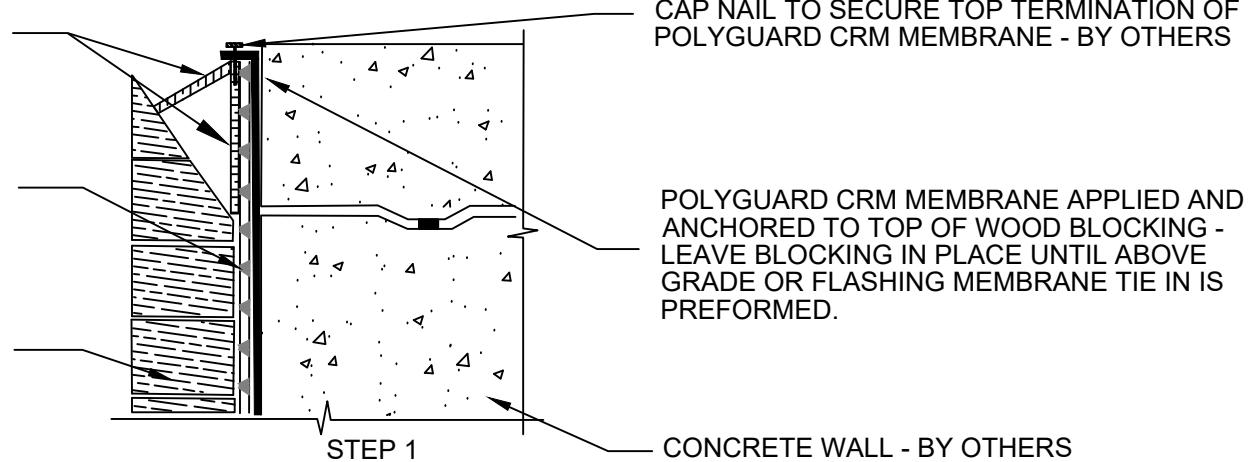
<small>The information provided is based on data and knowledge considered to be true and accurate and is offered for the users' consideration, investigation and verification, but we do not warrant the results to be obtained. Please read all data sheets, statements, recommendations or suggestions in conjunction with our conditions of sale, which apply to all goods supplied by us.</small>	NOT TO SCALE
	EFFECTIVE DATE: 07/15/2024
	SUPERCEDES: 10/01/2022

NOTE: CRITICAL DETAIL - WARRANTY INVOLVED

2" X 8" OR 2" X 10" WITH KICKER - BY OTHERS

POLYGUARD POLYFLOW 15 MOLDED SHEET DRAIN FABRIC TOWARD RETENTION SYSTEM

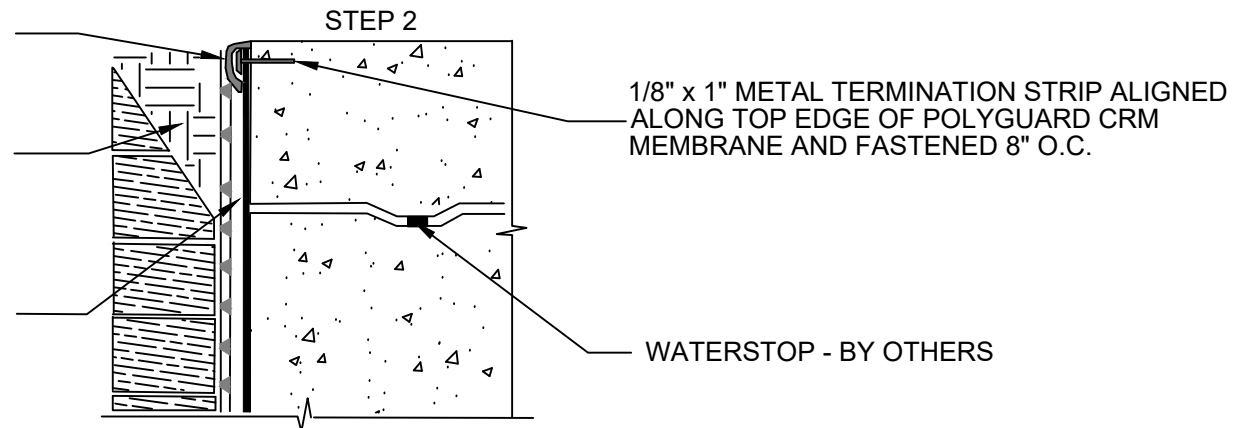
APPROVED RETENTION SYSTEM - BY OTHERS - WOOD LAGGING SHOWN



MINIMUM 90 MILS OF POLYGUARD CR LIQUID MEMBRANE APPLIED OVER POLYGUARD CR SEALANT AT A RATE OF 50 - 75 SF/GAL TO EACH SIDE OF TERMINAL EDGE

BACKFILL - BY OTHERS

REMOVE WOOD BLOCKING PRIOR TO DETAILING TERMINATION OF POLYGUARD CRM MEMBRANE AND BACKFILLING



CRV16

SECTION @ TOP OF WALL TERMINATION MECHANICALLY FASTENED

<small>The information provided is based on data and knowledge considered to be true and accurate and is offered for the users' consideration, investigation and verification, but we do not warrant the results to be obtained. Please read all data sheets, statements, recommendations or suggestions in conjunction with our conditions of sale, which apply to all goods supplied by us.</small>	NOT TO SCALE
	EFFECTIVE DATE: 07/15/2024
	SUPERCEDES: 10/01/2022