

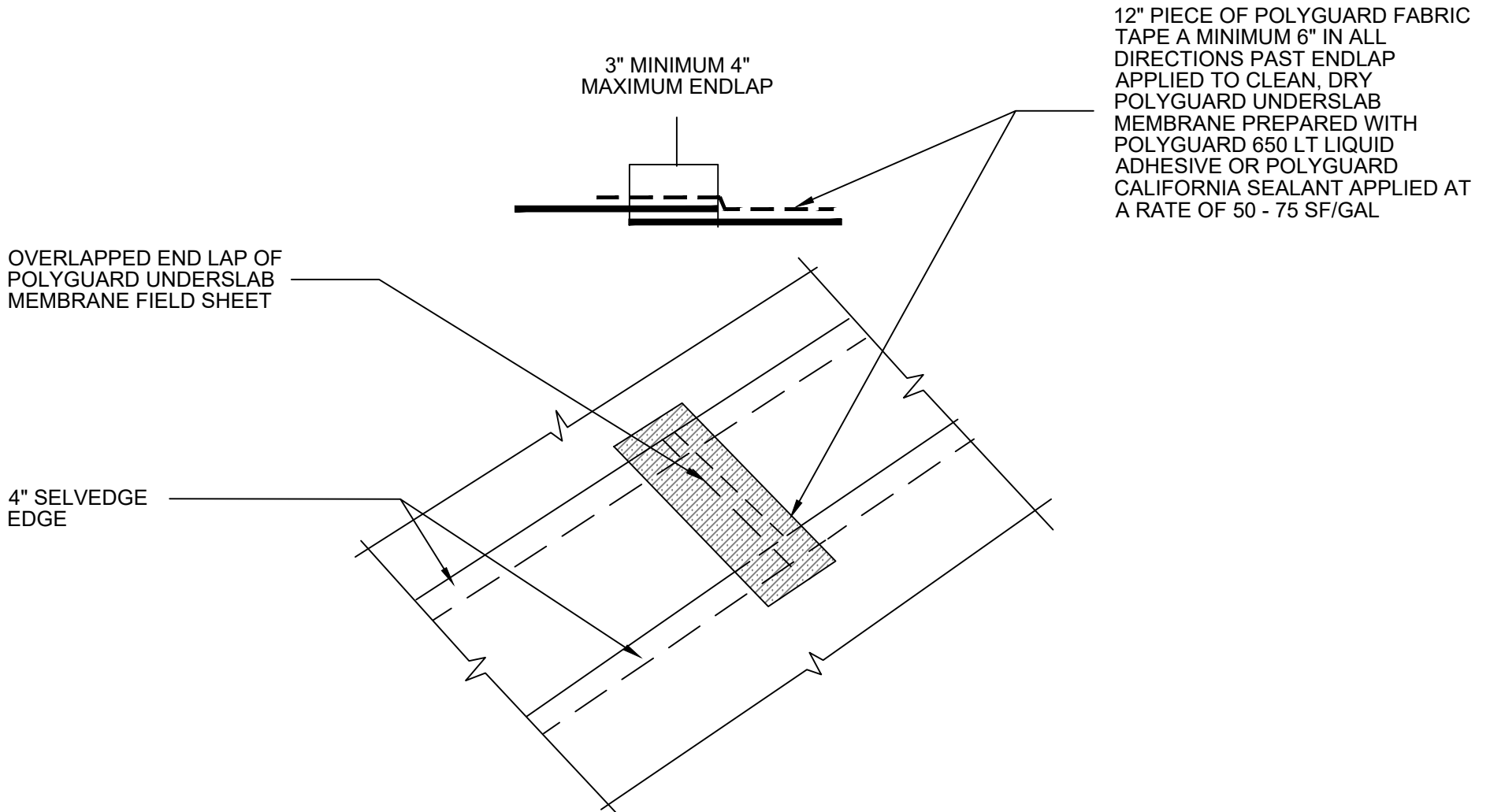
US1

SECTION @ UNDERSLAB MEMBRANE TIE IN TO BLINDSIDE MEMBRANE

Polyguard Products, Inc.
P.O. Box 755 - Ennis, TX 75120
Phone: 214-515-5000
Web Site - www.polyguard.com

©POLYGUARD PRODUCTS, INC.
MATERIAL SEPARATED FOR CLARITY

<small>The information provided is based on data and knowledge considered to be true and accurate and is offered for the users' consideration, investigation and verification, but we do not warrant the results to be obtained. Please read all data sheets, statements, recommendations or suggestions in conjunction with our conditions of sale, which apply to all goods supplied by us.</small>	NOT TO SCALE
	EFFECTIVE DATE: 07/15/2024
	SUPERCEDES: 10/01/2022



12" PIECE OF POLYGUARD FABRIC TAPE A MINIMUM 6" IN ALL DIRECTIONS PAST ENDLAP APPLIED TO CLEAN, DRY POLYGUARD UNDERSLAB MEMBRANE PREPARED WITH POLYGUARD 650 LT LIQUID ADHESIVE OR POLYGUARD CALIFORNIA SEALANT APPLIED AT A RATE OF 50 - 75 SF/GAL

OVERLAPPED END LAP OF POLYGUARD UNDERSLAB MEMBRANE FIELD SHEET

4" SELVEDGE EDGE

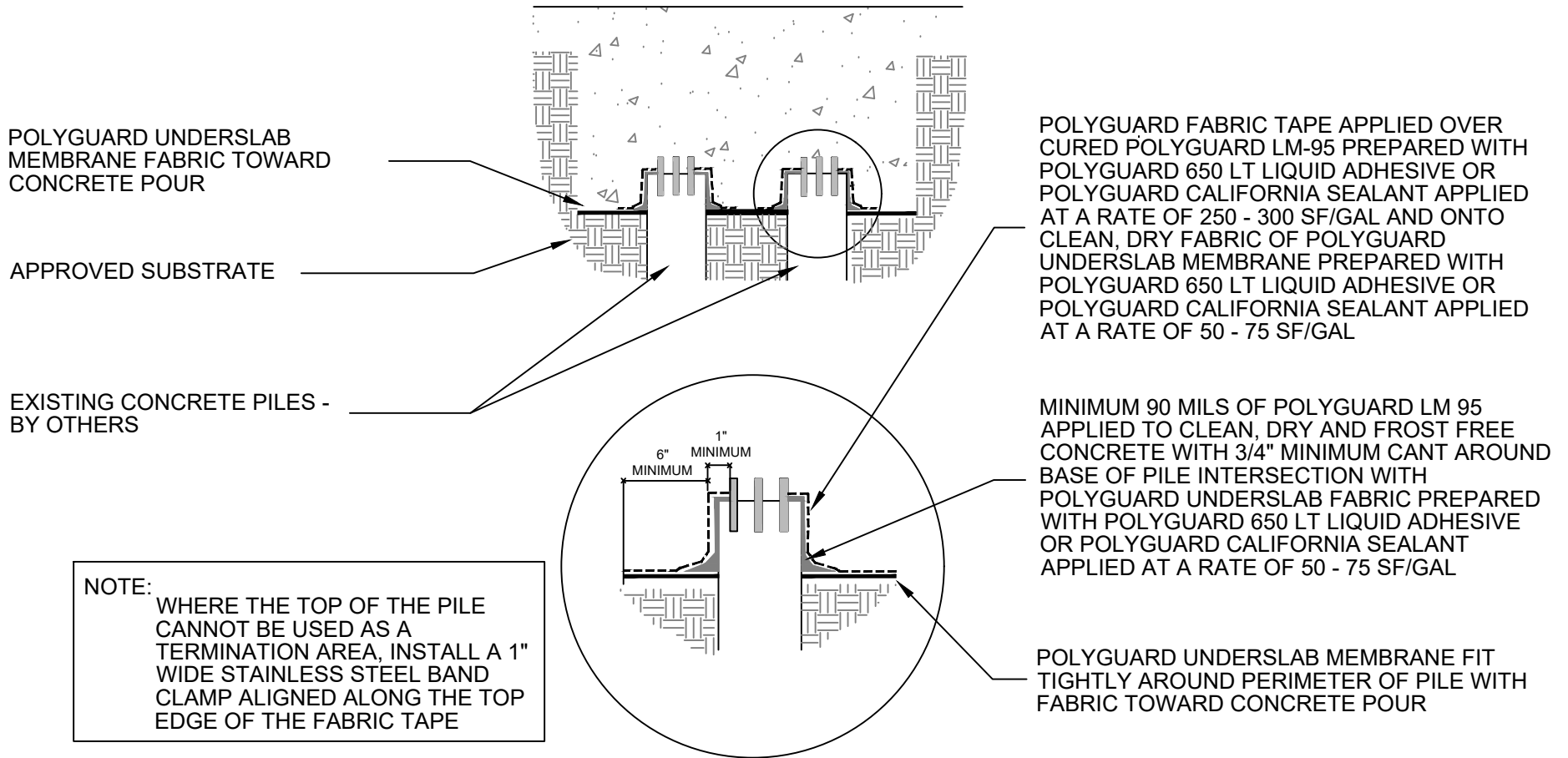
3" MINIMUM 4" MAXIMUM ENDLAP

US2 ISOMETRIC @ END LAP SEAM

Polyguard Products, Inc.
P.O. Box 755 - Ennis, TX 75120
Phone: 214-515-5000
Web Site - www.polyguard.com

©POLYGUARD PRODUCTS, INC.
MATERIAL SEPARATED FOR CLARITY

<small>The information provided is based on data and knowledge considered to be true and accurate and is offered for the users' consideration, investigation and verification, but we do not warrant the results to be obtained. Please read all data sheets, statements, recommendations or suggestions in conjunction with our conditions of sale, which apply to all goods supplied by us.</small>	NOT TO SCALE
	EFFECTIVE DATE: 07/15/2024
	SUPERCEDES: 10/01/2022

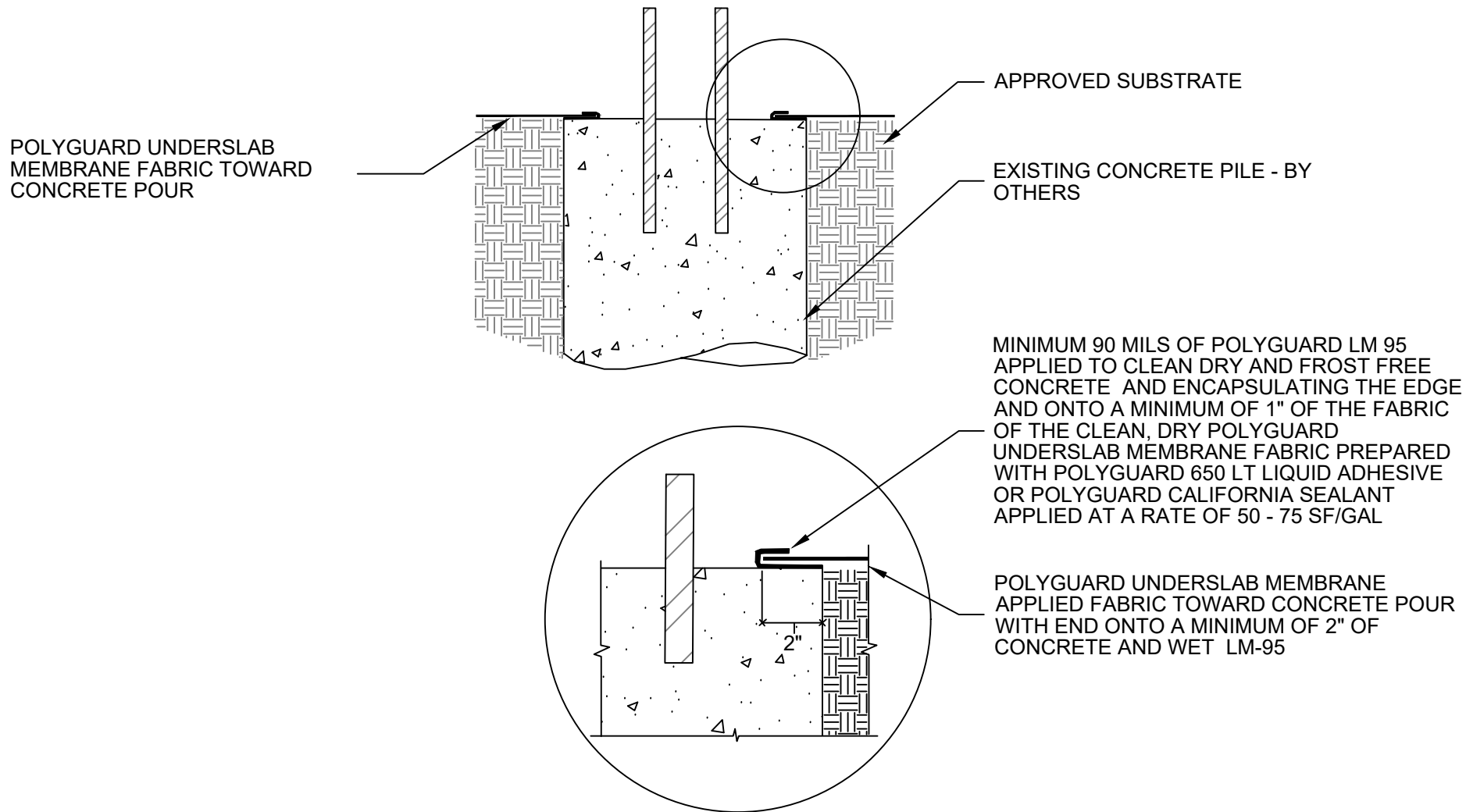


US3 SECTION @ PILE TERMINATION - PROFILE 1

Polyguard Products, Inc.
P.O. Box 755 - Ennis, TX 75120
Phone: 214-515-5000
Web Site - www.polyguard.com

©POLYGUARD PRODUCTS, INC.
MATERIAL SEPARATED FOR CLARITY

<small>The information provided is based on data and knowledge considered to be true and accurate and is offered for the users' consideration, investigation and verification, but we do not warrant the results to be obtained. Please read all data sheets, statements, recommendations or suggestions in conjunction with our conditions of sale, which apply to all goods supplied by us.</small>	NOT TO SCALE
	EFFECTIVE DATE: 07/15/2024
	SUPERCEDES: 10/01/2022



US4

SECTION @ PILE TERMINATION - PROFILE 2

Polyguard Products, Inc.
P.O. Box 755 - Ennis, TX 75120
Phone: 214-515-5000
Web Site - www.polyguard.com

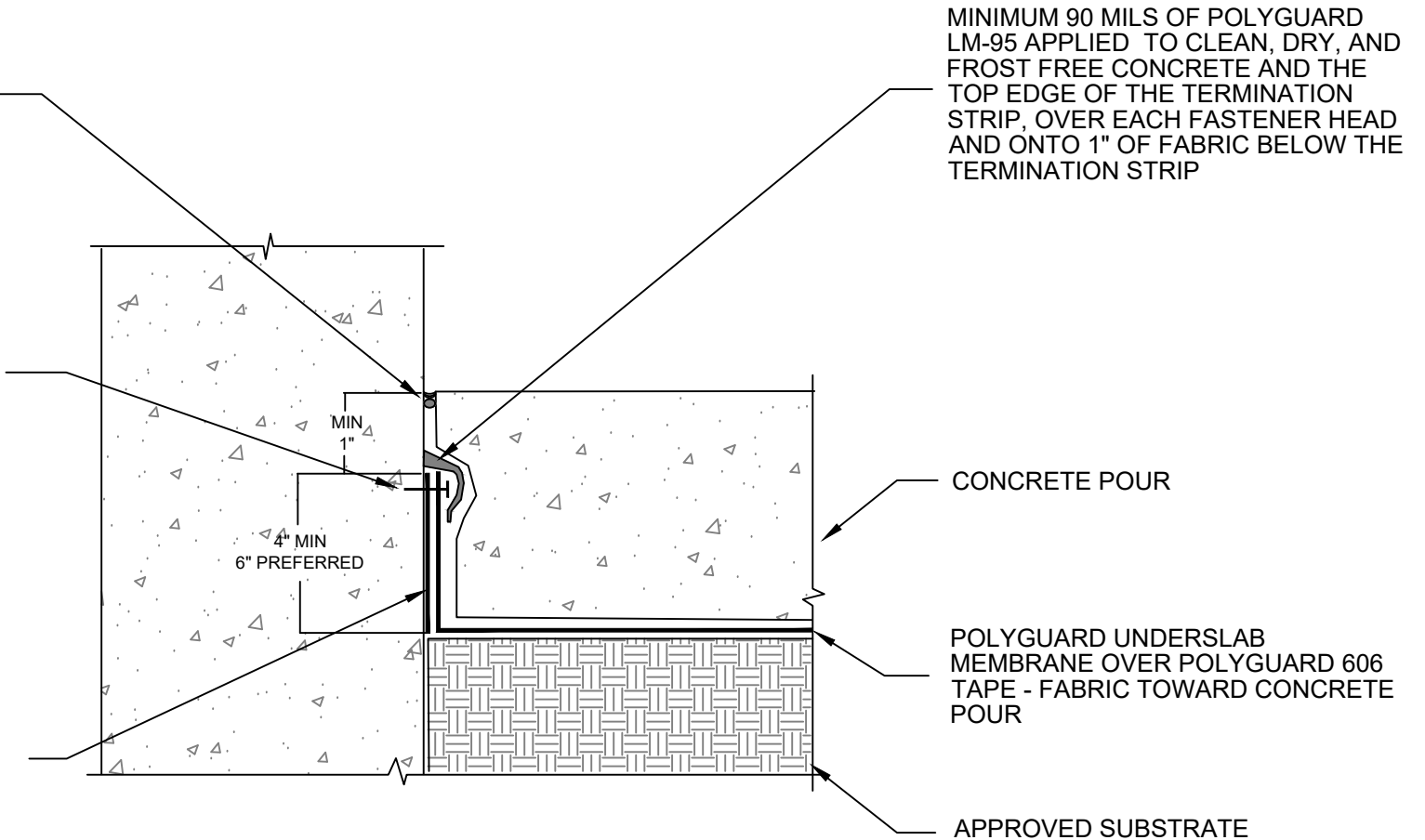
©POLYGUARD PRODUCTS, INC.
MATERIAL SEPARATED FOR CLARITY

<small>The information provided is based on data and knowledge considered to be true and accurate and is offered for the users' consideration, investigation and verification, but we do not warrant the results to be obtained. Please read all data sheets, statements, recommendations or suggestions in conjunction with our conditions of sale, which apply to all goods supplied by us.</small>	NOT TO SCALE
	EFFECTIVE DATE: 07/15/2024
	SUPERCEDES: 10/01/2022

BACKER ROD AND SEALANT - BY OTHERS

1/8" X 1" METAL TERMINATION BAR AND FASTENERS SPACED 2" INWARD FROM EACH END OF TERMINATION STRIP AND NOT MORE THAN 8" SPACING BETWEEN FASTENERS - BY OTHERS

POLYGUARD 606 TAPE APPLIED TO CLEAN, DRY, AND FROST FREE CONCRETE PREPARED WITH POLYGUARD 650 LT LIQUID ADHESIVE OR POLYGUARD CALIFORNIA SEALANT APPLIED AT A RATE OF 250 - 300 SF/GAL



MINIMUM 90 MILS OF POLYGUARD LM-95 APPLIED TO CLEAN, DRY, AND FROST FREE CONCRETE AND THE TOP EDGE OF THE TERMINATION STRIP, OVER EACH FASTENER HEAD AND ONTO 1" OF FABRIC BELOW THE TERMINATION STRIP

CONCRETE POUR

POLYGUARD UNDERSLAB MEMBRANE OVER POLYGUARD 606 TAPE - FABRIC TOWARD CONCRETE POUR

APPROVED SUBSTRATE

US5

SECTION @ TERMINATION TO EXISTING CONCRETE WALL

Polyguard Products, Inc.
P.O. Box 755 - Ennis, TX 75120
Phone: 214-515-5000
Web Site - www.polyguard.com

©POLYGUARD PRODUCTS, INC.
MATERIAL SEPARATED FOR CLARITY

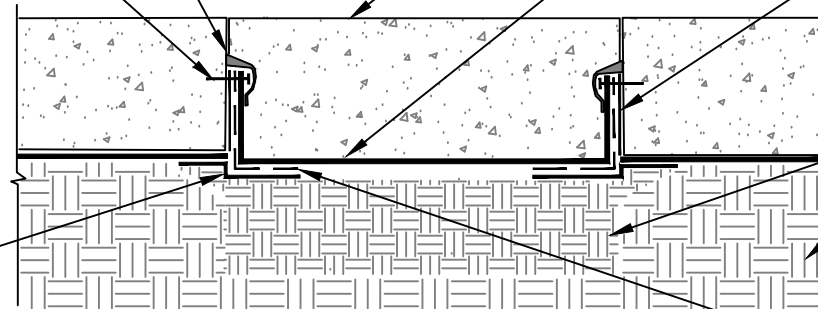
<small>The information provided is based on data and knowledge considered to be true and accurate and is offered for the users' consideration, investigation and verification, but we do not warrant the results to be obtained. Please read all data sheets, statements, recommendations or suggestions in conjunction with our conditions of sale, which apply to all goods supplied by us.</small>	NOT TO SCALE
	EFFECTIVE DATE: 07/15/2024
	SUPERCEDES: 06/06/2023

MINIMUM 90 MILS OF POLYGUARD LM-95 APPLIED TO CLEAN, DRY, AND FROST FREE CONCRETE AND THE TOP EDGE OF THE TERMINATION STRIP, OVER EACH FASTENER HEAD AND ONTO 1" OF FABRIC BELOW THE TERMINATION STRIP

1/8" X 1" METAL TERMINATION BAR AND FASTENERS SPACED 2" INWARD FROM EACH END OF TERMINATION STRIP AND NOT MORE THAN 8" SPACING BETWEEN FASTENERS- BY OTHERS

DIG OUT AND EXPOSE POLYGUARD UNDERSLAB MEMBRANE THE ENTIRE PERIMETER OF THE TRENCH A MINIMUM OF 2" PAST SAW CUTS - APPLY A 12" PIECE OF POLYGUARD MEMBRANE: 650, 650 PRM OR 650 WRM TO CLEANED FILM SIDE OF POLYGUARD UNDERSLAB - LEAVING FILM ON EXPOSED SIDE OF MEMBRANE - ANCHOR TO SIDE OF TRENCH TO PROTECT MEMBRANE FROM BACKFILLING DAMAGE. ONCE BACKFILLED THEN LAY TAPED PIECE TO BOTTOM OF TRENCH AND REMOVE FILM FOR ADHESION OF POLYGUARD BOOT AND POLYGUARD UNDERSLAB MEMBRANE

NOTE: AFTER CONCRETE IS REPLACED, SEAL CROSS SAW CUTS WITH INJECTABLE MATERIAL BY OTHERS



REPLACEMENT CONCRETE
NEW PIECE OF POLYGUARD UNDERSLAB MEMBRANE ON BOTTOM OF TRENCH AND ADHERE FILM SIDE OF POLYGUARD UNDERSLAB TO POLYGUARD 606 TAPE

POLYGUARD 606 TAPE APPLIED TO CLEAN, DRY AND FROST FREE CONCRETE SIDE WALL OF TRENCH PREPARED WITH POLYGUARD 650 LT LIQUID ADHESIVE OR POLYGUARD CALIFORNIA SEALANT AT A RATE OF 250 -300 SF/GAL

APPROVED SUBSTRATES

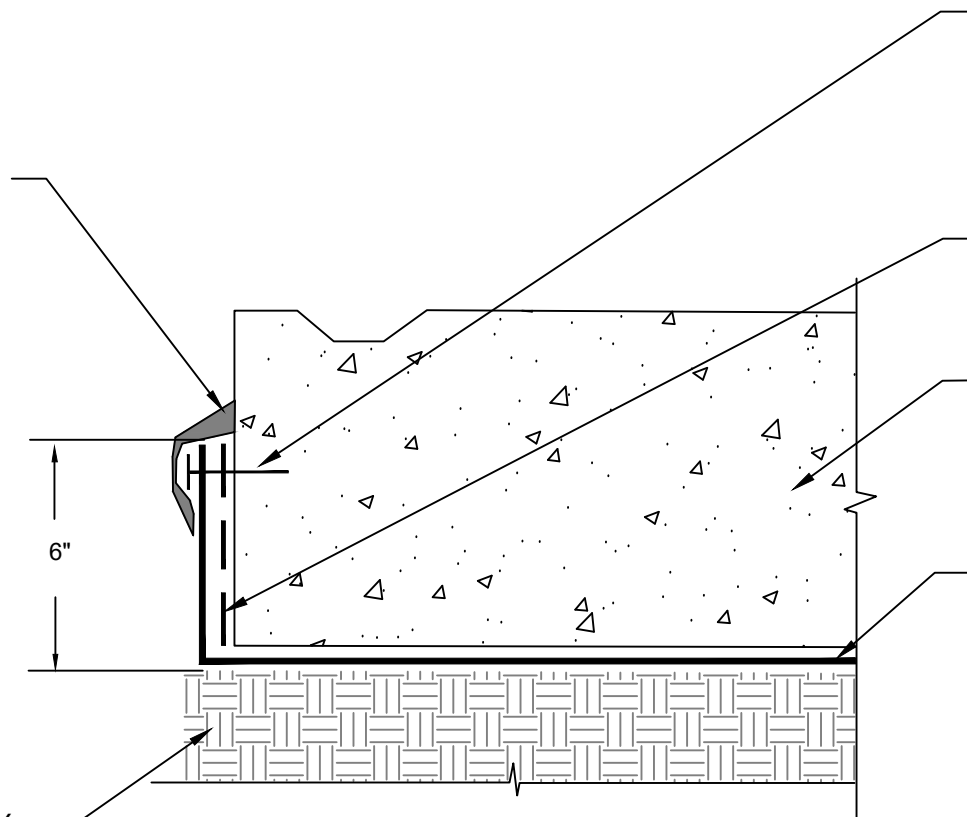
PLACE POLYGUARD US OUTSIDE CORNER BOOT ONTO ASPHALT SIDE OF POLYGUARD MEMBRANE: 650, 650 PRM OR 650 WRM AND INTO CORNER - TO FIELD MAKE INSIDE CORNERS REFERENCE POLYGUARD 650 MEMBRANE BOOT FOR POLYGUARD UNDERSLAB MEMBRANE

US6

SECTION @ SAW CUT SLAB THROUGH EXISTING MEMBRANE

<small>The information provided is based on data and knowledge considered to be true and accurate and is offered for the users' consideration, investigation and verification, but we do not warrant the results to be obtained. Please read all data sheets, statements, recommendations or suggestions in conjunction with our conditions of sale, which apply to all goods supplied by us.</small>	NOT TO SCALE
	EFFECTIVE DATE: 12/16/2024
	SUPERCEDES: 07/15/2024

MINIMUM 90 MILS OF POLYGUARD DETAIL SEALANT PW OR POLYGUARD LM-95 APPLIED TO CLEAN, DRY AND FROST FREE CONCRETE AND THE TOP EDGE OF THE TERMINATION STRIP, OVER EACH FASTENER HEAD TO AND ONTO 1" OF HDPE BELOW THE TERMINATION STRIP ALL SURFACES PREPARED WITH POLYGUARD 650 LT LIQUID ADHESIVE OR POLYGUARD CALIFORNIA SEALANT APPLIED AT A RATE OF 250 - 300 SF/GAL



TERMINATION BAR AND FASTENERS SPACED 2" INWARD FROM EACH END OF TERMINATION STRIP AND NOT MORE THAN 8" SPACING BETWEEN FASTENERS - BY OTHERS

POLYGUARD 606 TAPE APPLIED TO CLEAN, DRY AND FROST FREE CONCRETE PREPARED WITH POLYGUARD 650 LT LIQUID ADHESIVE OR POLYGUARD CALIFORNIA SEALANT APPLIED AT A RATE OF 250 - 300 SF/GAL

EXISTING CONCRETE - BY OTHERS

CONTINUOUS POLYGUARD UNDERSLAB MEMBRANE EXTENDED BEYOND FACE OF FOOTER / SLAB FOR ADHERING TO POLYGUARD 606 TAPE. PREPARE FABRIC OF POLYGUARD UNDERSLAB MEMBRANE WITH POLYGUARD 650 LT LIQUID ADHESIVE OR POLYGUARD CALIFORNIA SEALANT APPLIED AT A RATE OF 50 - 75 SF/GAL & SET WET ONTO POLYGUARD 606 TAPE

APPROVED SUBSTRATE - BY OTHERS

US7

SECTION @ POST CONCRETE POUR TERMINATION TO FACE OF FOOTER - STRUCTURAL SLAB

Polyguard Products, Inc.
P.O. Box 755 - Ennis, TX 75120
Phone: 214-515-5000
Web Site - www.polyguard.com

©POLYGUARD PRODUCTS, INC.
MATERIAL SEPARATED FOR CLARITY

<small>The information provided is based on data and knowledge considered to be true and accurate and is offered for the users' consideration, investigation and verification, but we do not warrant the results to be obtained. Please read all data sheets, statements, recommendations or suggestions in conjunction with our conditions of sale, which apply to all goods supplied by us.</small>	NOT TO SCALE
	EFFECTIVE DATE: 07/15/2024
	SUPERCEDES: 10/01/2022

POLYGUARD POLYFLOW 15 / 15P
MOLDED SHEET DRAIN WITH
FABRIC FACING BACKFILL

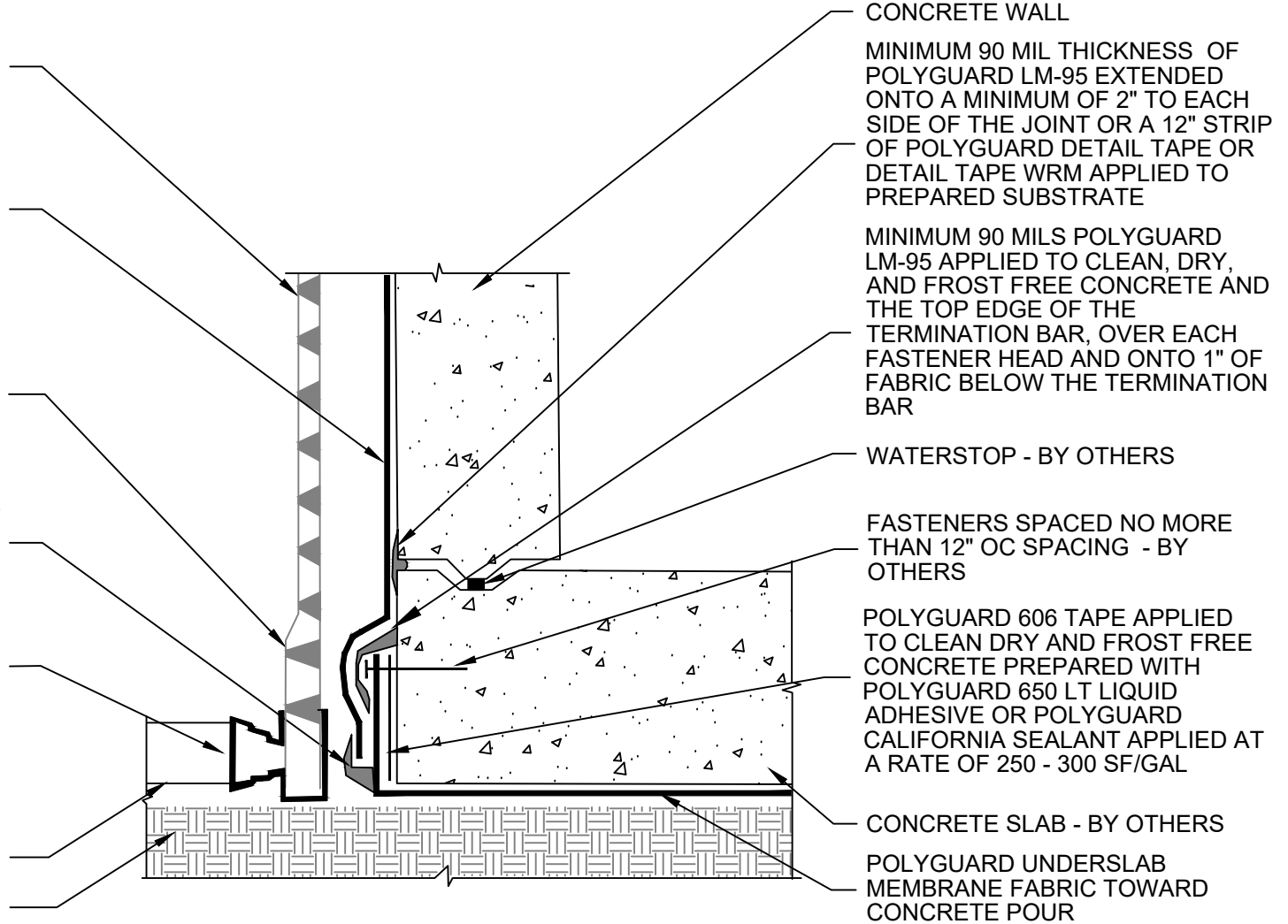
POLYGUARD MEMBRANE: 650, 650
PRM OR 650 WRM APPLIED TO
CLEAN DRY AND FROST FREE
CONCRETE PREPARED WITH
POLYGUARD 650 LT LIQUID
ADHESIVE OR POLYGUARD
CALIFORNIA SEALANT APPLIED
AT A RATE OF 250 - 300 SF/GAL

POLYGUARD TOTALFLOW
PERIMETER HIGH CAPACITY
SHEET MOLDED DRAINAGE WITH
FABRIC FACING SOIL

MINIMUM 90 MIL THICKNESS OF
POLYGUARD DETAIL SEALANT PW
OR LM 95 - EXTENDED A
MINIMUM OF 1/2" TO EACH SIDE
OF THE TERMINAL EDGE

POLYGUARD TOTALFLOW
OUTLET - END & TEE FITTINGS
AVAILABLE - TEE OUTLET SHOWN

DRAIN PIPE - BY OTHERS
APPROVED SUBSTRATE - BY
OTHERS



CONCRETE WALL

MINIMUM 90 MIL THICKNESS OF
POLYGUARD LM-95 EXTENDED
ONTO A MINIMUM OF 2" TO EACH
SIDE OF THE JOINT OR A 12" STRIP
OF POLYGUARD DETAIL TAPE OR
DETAIL TAPE WRM APPLIED TO
PREPARED SUBSTRATE

MINIMUM 90 MILS POLYGUARD
LM-95 APPLIED TO CLEAN, DRY,
AND FROST FREE CONCRETE AND
THE TOP EDGE OF THE
TERMINATION BAR, OVER EACH
FASTENER HEAD AND ONTO 1" OF
FABRIC BELOW THE TERMINATION
BAR

WATERSTOP - BY OTHERS

FASTENERS SPACED NO MORE
THAN 12" OC SPACING - BY
OTHERS

POLYGUARD 606 TAPE APPLIED
TO CLEAN DRY AND FROST FREE
CONCRETE PREPARED WITH
POLYGUARD 650 LT LIQUID
ADHESIVE OR POLYGUARD
CALIFORNIA SEALANT APPLIED AT
A RATE OF 250 - 300 SF/GAL

CONCRETE SLAB - BY OTHERS

POLYGUARD UNDERSLAB
MEMBRANE FABRIC TOWARD
CONCRETE POUR

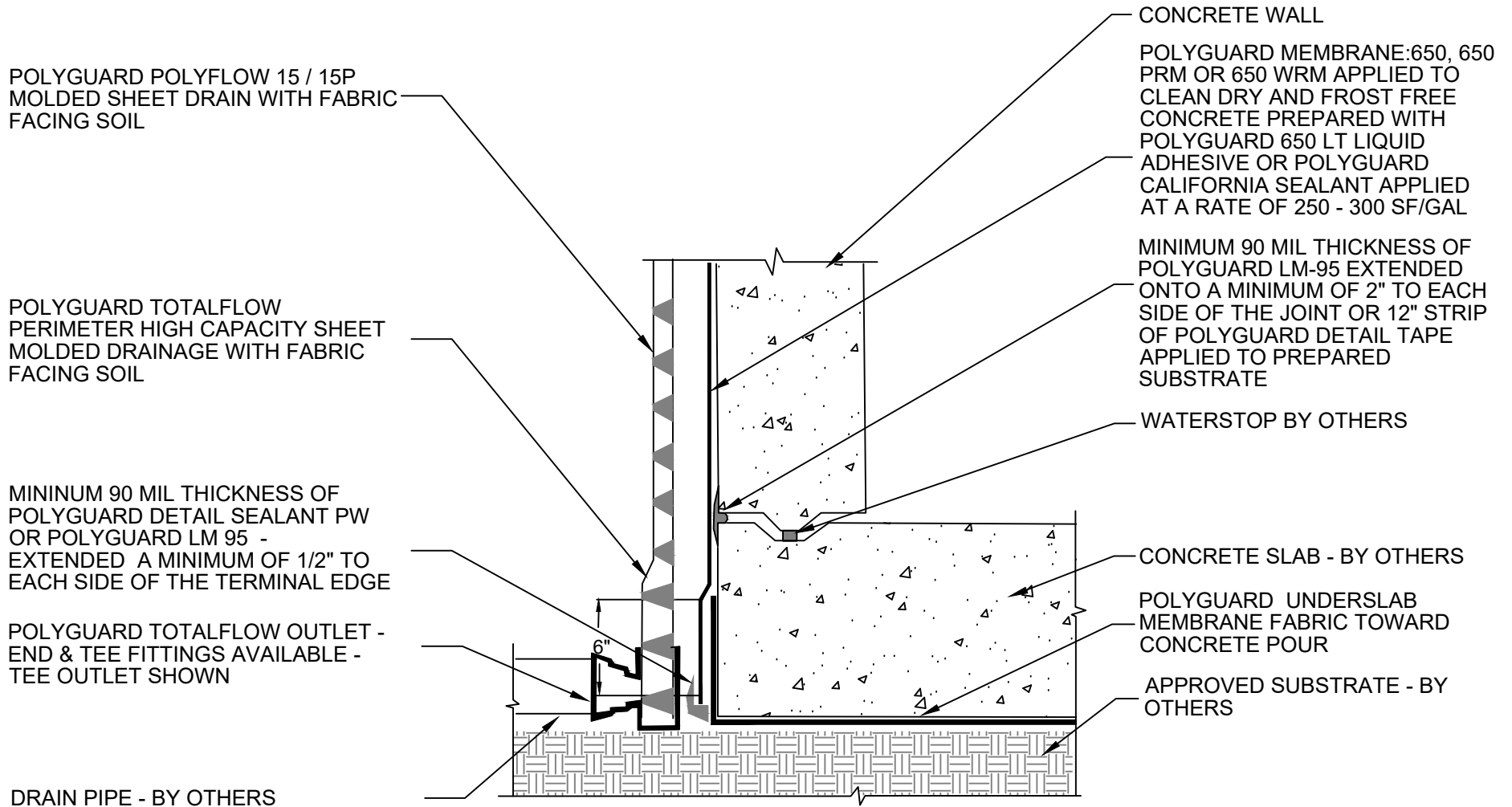
US8

**SECTION @ 650 OR PRM MEMBRANE TIE IN TO POST TERMINATED UNDERSLAB MEMBRANE -
PROFILE 1**

Polyguard Products, Inc.
P.O. Box 755 - Ennis, TX 75120
Phone: 214-515-5000
Web Site - www.polyguard.com

©POLYGUARD PRODUCTS, INC.
MATERIAL SEPARATED FOR CLARITY

<p>The information provided is based on data and knowledge considered to be true and accurate and is offered for the users' consideration, investigation and verification, but we do not warrant the results to be obtained. Please read all data sheets, statements, recommendations or suggestions in conjunction with our conditions of sale, which apply to all goods supplied by us.</p>	NOT TO SCALE
	EFFECTIVE DATE: 12/16/2024
	SUPERCEDES: 07/15/2024



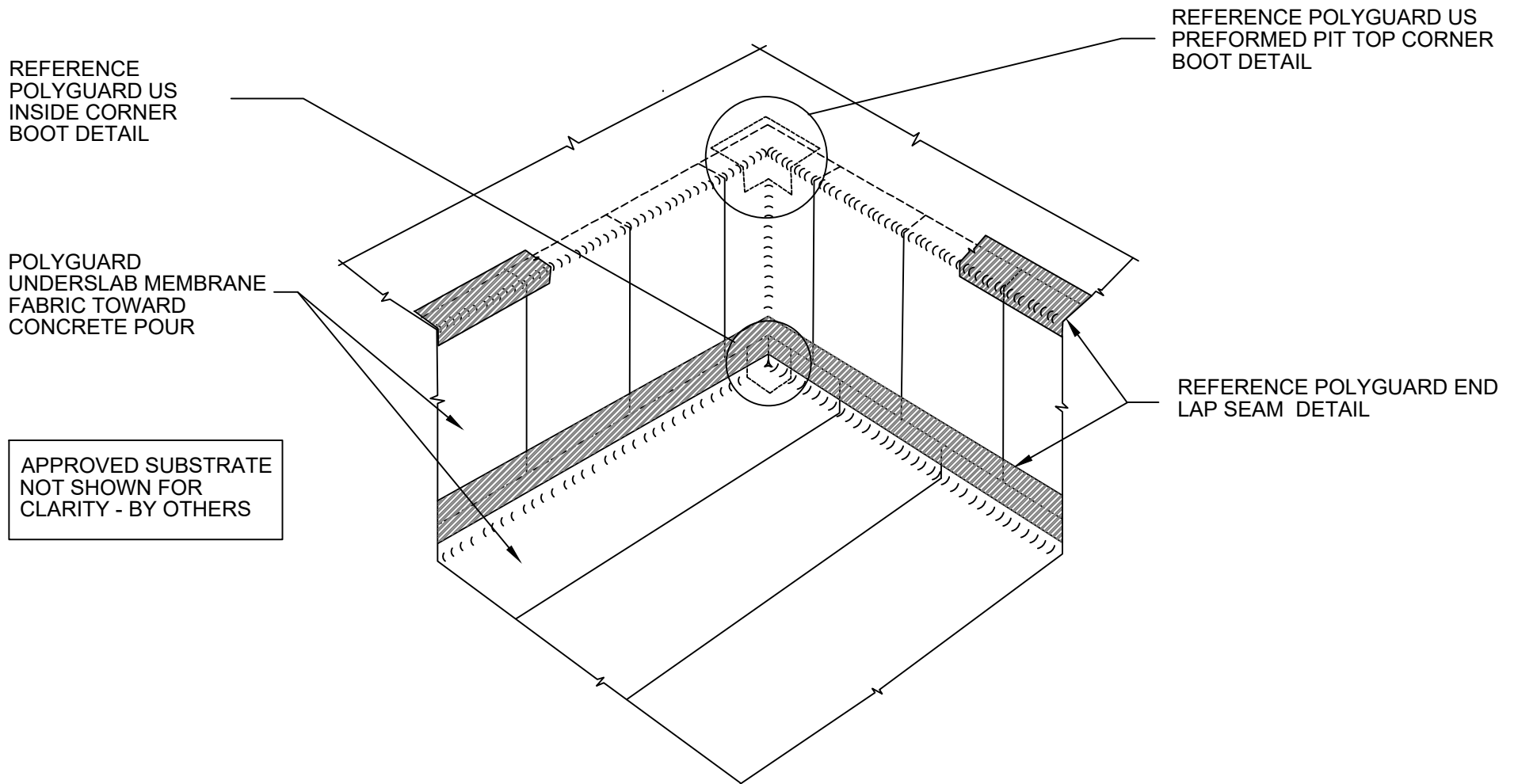
US9

SECTION @ 650 TIE IN TO EMBEDDED UNDERSLAB MEMBRANE -PROFILE 2

©POLYGUARD PRODUCTS, INC.
MATERIAL SEPARATED FOR CLARITY

Polyguard Products, Inc.
P.O. Box 755 - Ennis, TX 75120
Phone: 214-515-5000
Web Site - www.polyguard.com

<small>The information provided is based on data and knowledge considered to be true and accurate and is offered for the users' consideration, investigation and verification, but we do not warrant the results to be obtained. Please read all data sheets, statements, recommendations or suggestions in conjunction with our conditions of sale, which apply to all goods supplied by us.</small>	NOT TO SCALE
	EFFECTIVE DATE: 12/16/2024
	SUPERCEDES: 07/15/2024

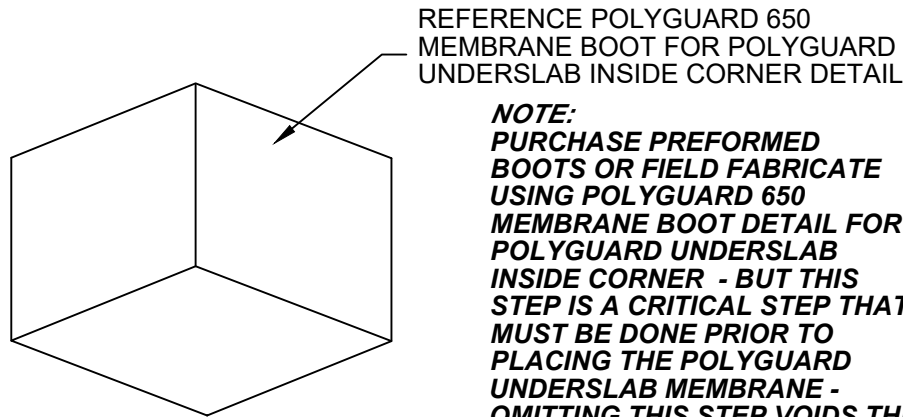


US10 SECTION @ SUMP OR ELEVATOR PIT OVERVIEW

Polyguard Products, Inc.
P.O. Box 755 - Ennis, TX 75120
Phone: 214-515-5000
Web Site - www.polyguard.com

©POLYGUARD PRODUCTS, INC.
MATERIAL SEPARATED FOR CLARITY

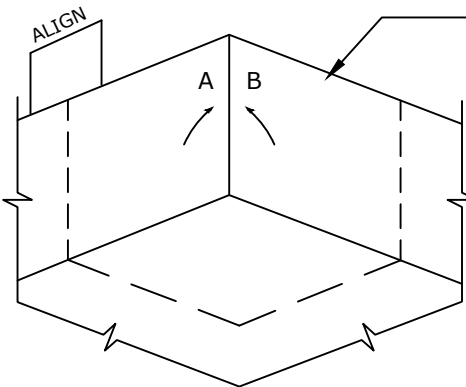
<small>The information provided is based on data and knowledge considered to be true and accurate and is offered for the users' consideration, investigation and verification, but we do not warrant the results to be obtained. Please read all data sheets, statements, recommendations or suggestions in conjunction with our conditions of sale, which apply to all goods supplied by us.</small>	NOT TO SCALE
	EFFECTIVE DATE: 07/15/2024
	SUPERCEDES: 10/01/2022



STEP 1 PRIORITY

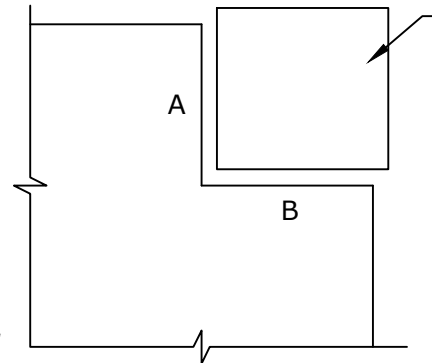
REFERENCE POLYGUARD 650 MEMBRANE BOOT FOR POLYGUARD UNDERSLAB UNDERSLAB INSIDE CORNER DETAIL

NOTE:
PURCHASE PREFORMED BOOTS OR FIELD FABRICATE USING POLYGUARD 650 MEMBRANE BOOT DETAIL FOR POLYGUARD UNDERSLAB INSIDE CORNER - BUT THIS STEP IS A CRITICAL STEP THAT MUST BE DONE PRIOR TO PLACING THE POLYGUARD UNDERSLAB MEMBRANE - OMITTING THIS STEP VOIDS THE WARRANTY



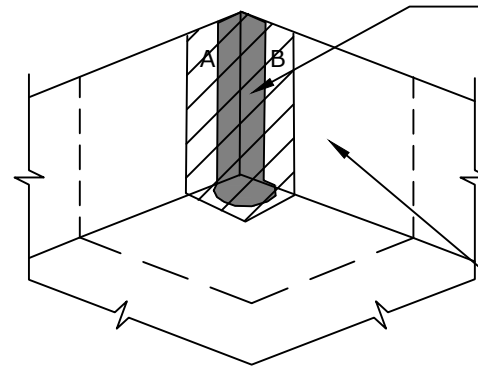
STEP 3

POSITION THE CUT POLYGUARD UNDERSLAB MEMBRANE INTO THE CORNER AND OVER THE BOOT SO THE (A) AND (B) EDGES MEET IN THE VERTICAL LEG OF THE BOOT. FORM-FIT THE PIECE TO THE CONTOURS OF THE CORNER. CREASE THE POLYGUARD UNDERSLAB MATERIAL TO ESTABLISH A CONFORMING SHAPE. AFTER CREASING, FOLD THE PIECE BACK, REMOVE THE RELEASE PAPER FROM THE HORIZONTAL LEG OF THE BOOT, THEN OVERLAY AND PRESS THE HORIZONTAL LEG INTO THE BOOT. REPEAT FOR EACH VERTICAL LEG.



STEP 2

CUT AND REMOVE A SQUARE PIECE OF POLYGUARD UNDERSLAB MEMBRANE FROM THE END CORNER. CUTOUT IS DETERMINED BY THE HEIGHT OF THE CONCRETE FORM. (EX: 12" FORM WOULD BE A 12" X 12" CUT OUT) DIMENSION THE STARTING POINT OF EACH CUT FROM THE CORNER, AND ALONG AN EDGE, A DISTANCE EQUAL TO THE HEIGHT OF THE VERTICAL LEG OF THE BOOT.



STEP 4 & 5

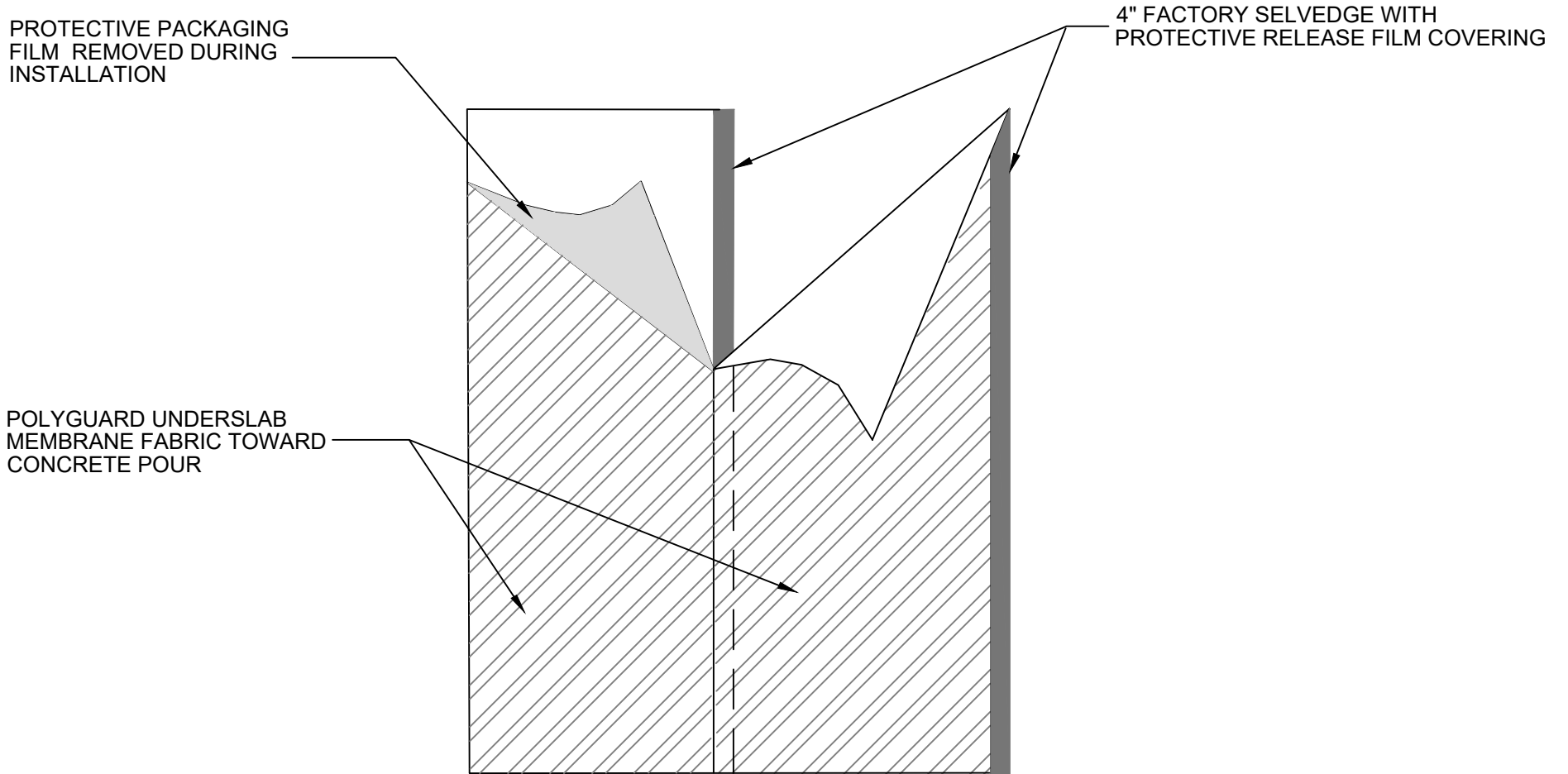
PREPARE THE FABRIC ALONG THE (A) AND (B) EDGES WITH POLYGUARD 650 LT LIQUID ADHESIVE OR POLYGUARD CALIFORNIA SEALANT APPLIED AT A RATE OF 50 - 75 SF/GAL. SEAL THE (A) AND (B) EDGES AND BOTTOM CORNER USING A MINIMUM 90 MIL THICKNESS BY 2" WIDE APPLICATION OF POLYGUARD LM-95 TROWELED ONTO EACH LEG AND JOINED AT THE INTERSECTING PLANES.

CUT AND APPLY POLYGUARD FABRIC TAPE TIGHTLY OVER THE CURED POLYGUARD LM-95 AND POLYGUARD UNDERSLAB MEMBRANE - PREPARE THE FABRIC WITH POLYGUARD 650 LT LIQUID ADHESIVE OR POLYGUARD CALIFORNIA SEALANT APPLIED AT A RATE OF 50 - 75 SF/GAL.

US11

SECTION @ INSIDE CORNER DETAIL

The information provided is based on data and knowledge considered to be true and accurate and is offered for the users' consideration, investigation and verification, but we do not warrant the results to be obtained. Please read all data sheets, statements, recommendations or suggestions in conjunction with our conditions of sale, which apply to all goods supplied by us.	NOT TO SCALE
	EFFECTIVE DATE: 07/15/2024
	SUPERCEDES: 10/01/2022

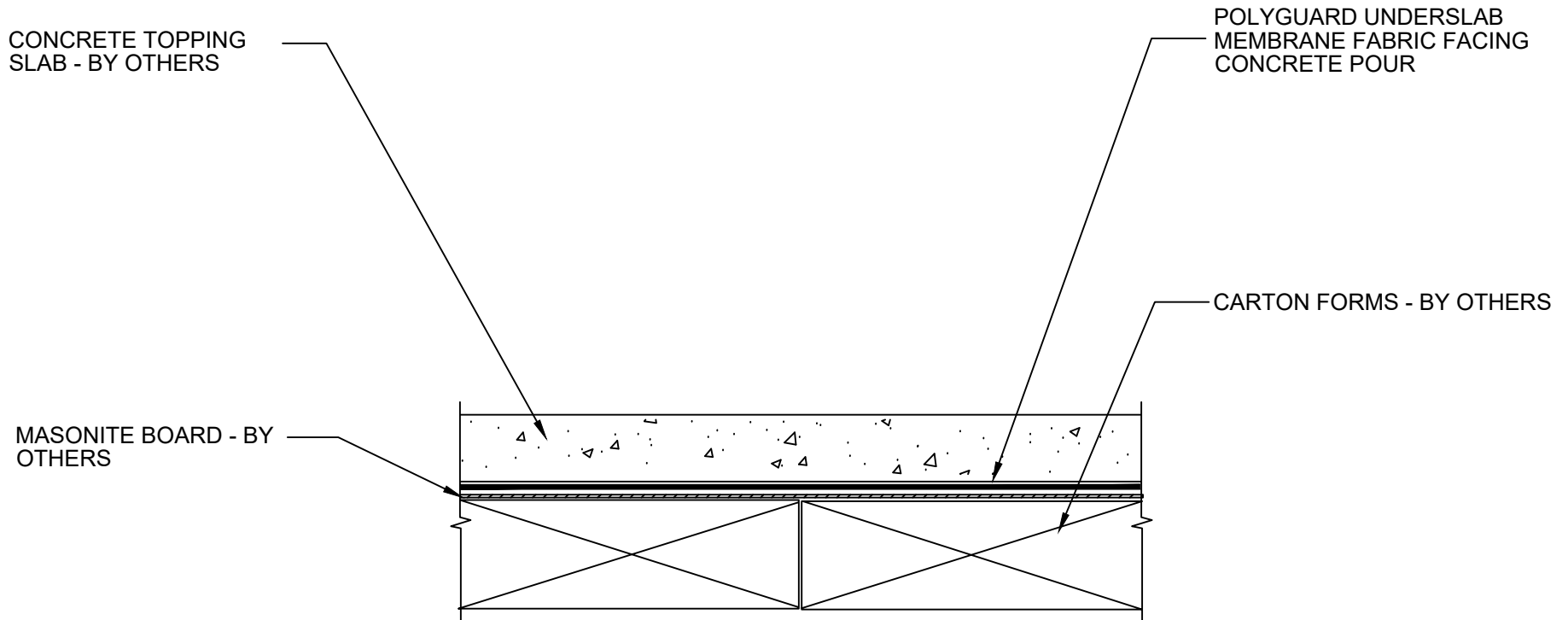


US12 OVERVIEW @ SIDE LAPS - SELVEDGE

Polyguard Products, Inc.
P.O. Box 755 - Ennis, TX 75120
Phone: 214-515-5000
Web Site - www.polyguard.com

©POLYGUARD PRODUCTS, INC.
MATERIAL SEPARATED FOR CLARITY

<small>The information provided is based on data and knowledge considered to be true and accurate and is offered for the users' consideration, investigation and verification, but we do not warrant the results to be obtained. Please read all data sheets, statements, recommendations or suggestions in conjunction with our conditions of sale, which apply to all goods supplied by us.</small>	NOT TO SCALE
	EFFECTIVE DATE: 07/15/2024
	SUPERCEDES: 10/01/2022



US13 OVERVIEW @ CARTON FORM DETAIL

Polyguard Products, Inc.
P.O. Box 755 - Ennis, TX 75120
Phone: 214-515-5000
Web Site - www.polyguard.com

©POLYGUARD PRODUCTS, INC.
MATERIAL SEPARATED FOR CLARITY

<small>The information provided is based on data and knowledge considered to be true and accurate and is offered for the users' consideration, investigation and verification, but we do not warrant the results to be obtained. Please read all data sheets, statements, recommendations or suggestions in conjunction with our conditions of sale, which apply to all goods supplied by us.</small>	NOT TO SCALE
	EFFECTIVE DATE: 07/15/2024
	SUPERCEDES: 10/01/2022

POLYGUARD MEMBRANE: 650, 650 PRM OR 650 WRM APPLIED TO CLEAN, DRY, AND FROST FREE CONCRETE PREPARED WITH POLYGUARD 650 LT LIQUID ADHESIVE OR POLYGUARD CALIFORNIA SEALANT AT A RATE OF 250- 300 SF/GAL

POLYGUARD POLYFLOW 15 / 15P MOLDED SHEET DRAIN FABRIC FACING BACKFILL

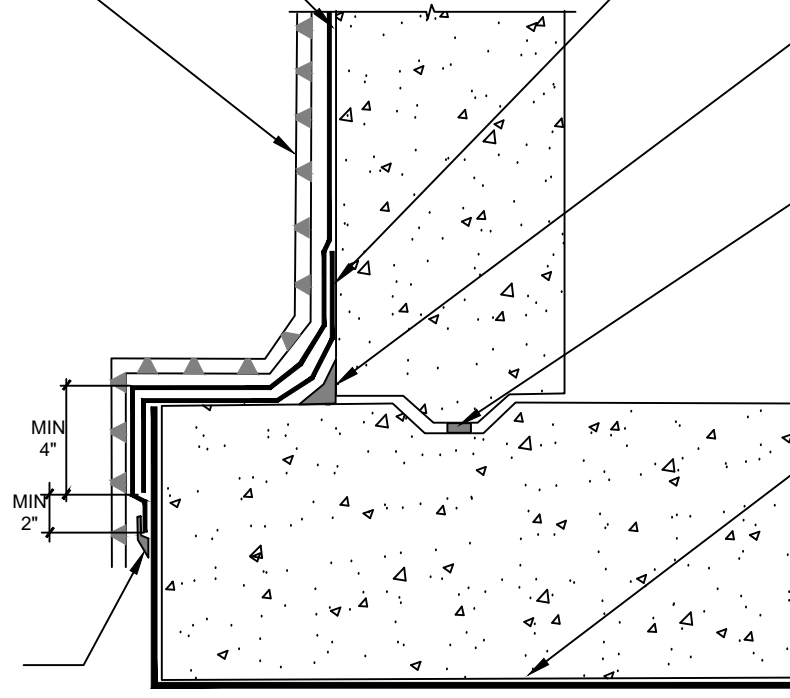
POLYGUARD MEMBRANE: 650, 650 PRM, 650 WRM OR 12" POLYGUARD DETAIL TAPE OR DETAIL TAPE WRM APPLIED TO CLEAN, DRY, AND FROST FREE CONCRETE PREPARED WITH POLYGUARD 650 LT LIQUID ADHESIVE OR POLYGUARD CALIFORNIA SEALANT APPLIED AT A RATE OF 250 - 300 SF/GAL

POLYGUARD DETAIL SEALANT PW OR POLYGUARD LM-95 APPLIED AND TOOLED TO FORM A 3/4" CANT

WATERSTOP - BY OTHERS

EXISTING POLYGUARD UNDERSLAB MEMBRANE

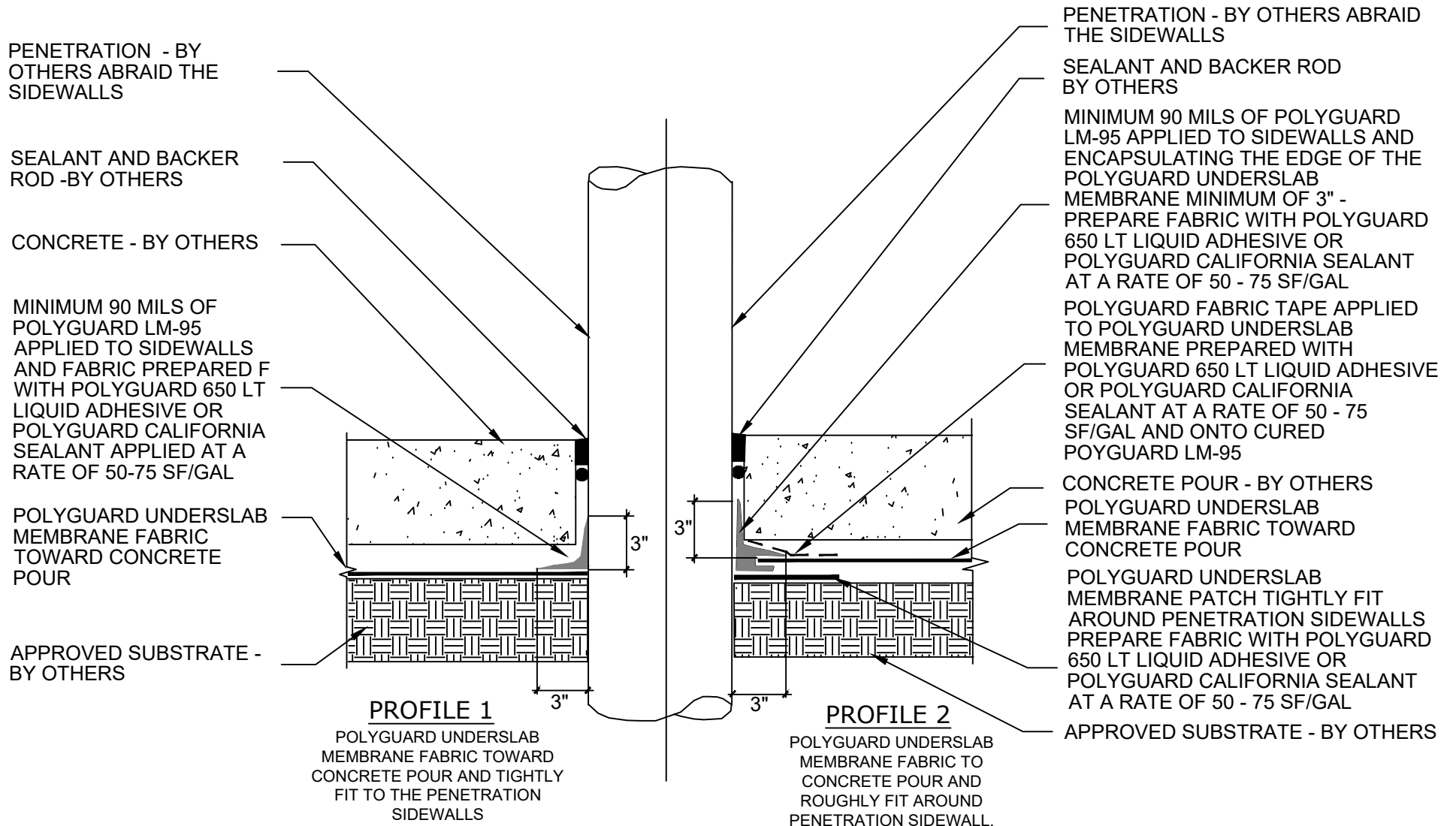
90 MIL MINIMUM THICKNESS OF POLYGUARD DETAIL SEALANT PW OR POLYGUARD LM-95 EXTENDED ONTO A MINIMUM OF 1/2" TO EACH SIDE OF THE TERMINAL EDGE



US14

SECTION @ 650 TIE IN TO EMBEDDED UNDERSLAB MEMBRANE WITH POLYFLOW 15 / 15P

<small>The information provided is based on data and knowledge considered to be true and accurate and is offered for the users' consideration, investigation and verification, but we do not warrant the results to be obtained. Please read all data sheets, statements, recommendations or suggestions in conjunction with our conditions of sale, which apply to all goods supplied by us.</small>	NOT TO SCALE
	EFFECTIVE DATE: 12/16/2024
	SUPERCEDES: 07/15/2024

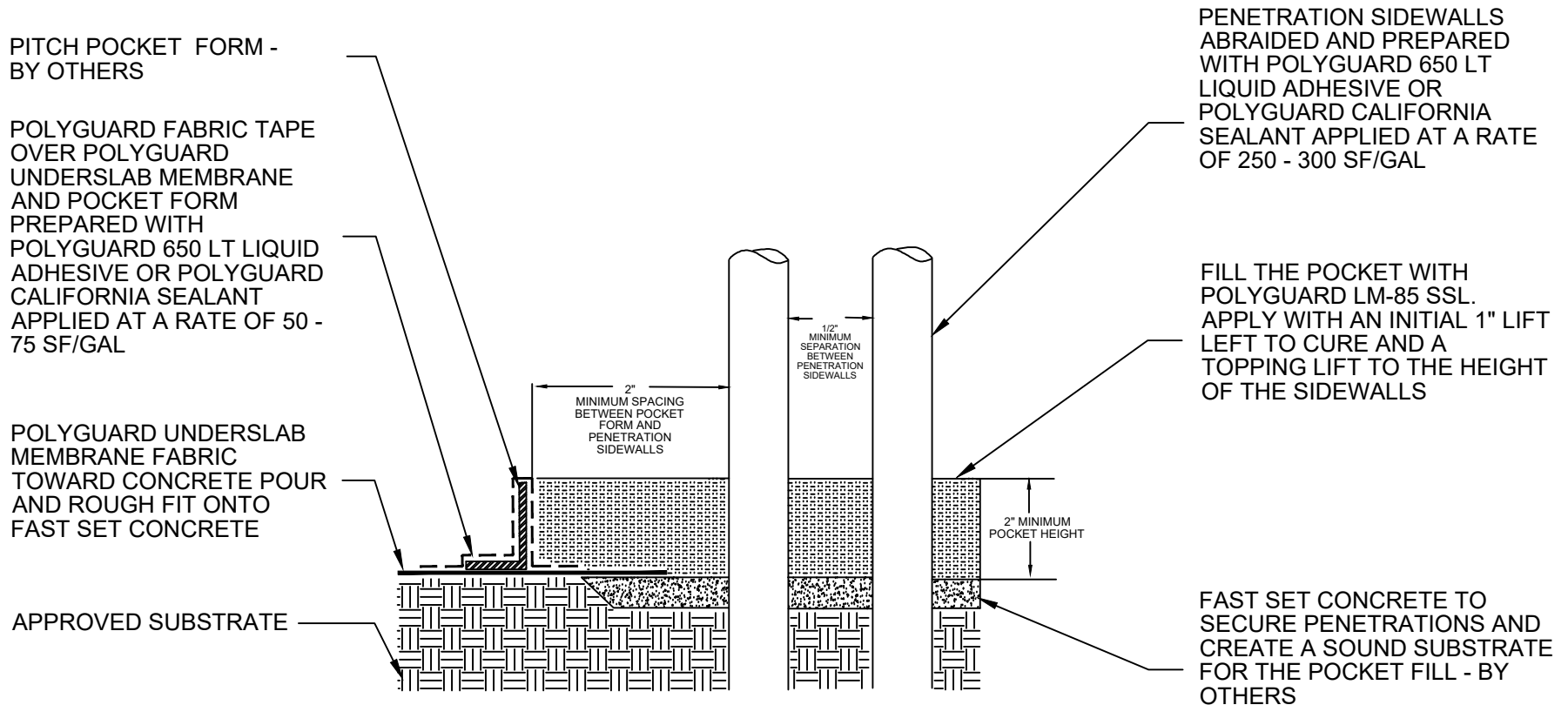


US15 SECTION @ PENETRATION DETAIL OPTIONS

Polyguard Products, Inc.
P.O. Box 755 - Ennis, TX 75120
Phone: 214-515-5000
Web Site - www.polyguard.com

©POLYGUARD PRODUCTS, INC.
MATERIAL SEPARATED FOR CLARITY

<small>The information provided is based on data and knowledge considered to be true and accurate and is offered for the users' consideration, investigation and verification, but we do not warrant the results to be obtained. Please read all data sheets, statements, recommendations or suggestions in conjunction with our conditions of sale, which apply to all goods supplied by us.</small>	NOT TO SCALE
	EFFECTIVE DATE: 07/15/2024
	SUPERCEDES: 10/01/2022

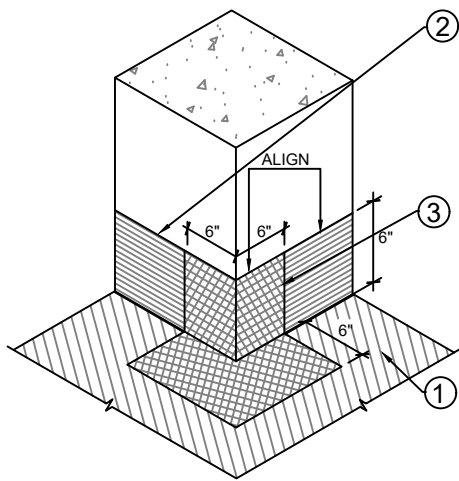


US16 SECTION@ HORIZONTAL PITCH POCKET

Polyguard Products, Inc.
P.O. Box 755 - Ennis, TX 75120
Phone: 214-515-5000
Web Site - www.polyguard.com

©POLYGUARD PRODUCTS, INC.
MATERIAL SEPARATED FOR CLARITY

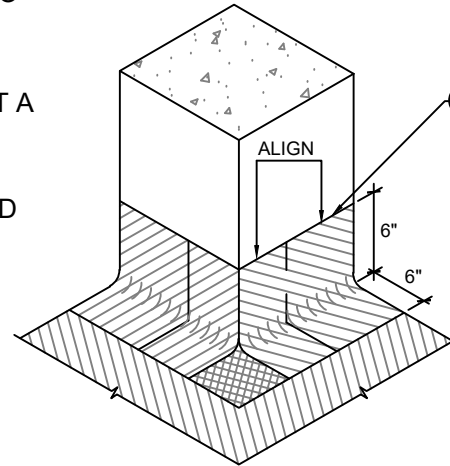
<small>The information provided is based on data and knowledge considered to be true and accurate and is offered for the users' consideration, investigation and verification, but we do not warrant the results to be obtained. Please read all data sheets, statements, recommendations or suggestions in conjunction with our conditions of sale, which apply to all goods supplied by us.</small>	NOT TO SCALE
	EFFECTIVE DATE: 07/15/2024
	SUPERCEDES: 10/01/2022



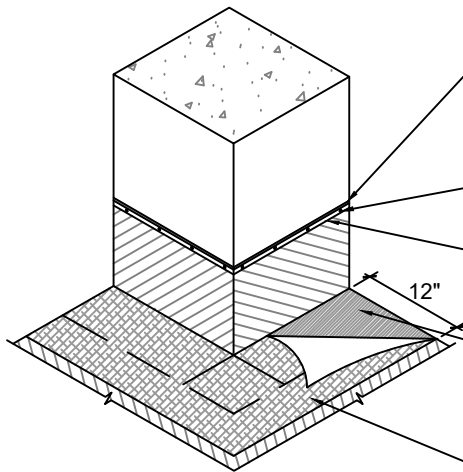
② POLYGUARD 606 TAPE APPLIED TO CONCRETE PREPARED WITH POLYGUARD 650 LT LIQUID ADHESIVE OR POLYGUARD CALIFORNIA SEALANT APPLIED AT A RATE OF 250 - 300 SF / GAL

③ POLYGUARD PREFORMED US OUTSIDE CORNER BOOT ADHERED TO POLYGUARD 606 TAPE - TRIM EXCESS MATERIAL ABOVE POLYGUARD 606 TAPE

① POLYGUARD UNDERSLAB MEMBRANE WITH FABRIC TOWARD CONCRETE POUR AND TIGHT FIT AROUND THE BASE OF THE CORNER/COLUMN



④ TOP EDGE OF POLYGUARD UNDERSLAB 'SKIRT' ALIGNED AND ADHERED TO TOP EDGE AND BODY OF POLYGUARD 606 TAPE AND THE EXPOSED BOOT COMPOUND. EXTEND FIELD LEG OF THE 'SKIRT' 6" ONTO THE FIELD MEMBRANE FABRIC AND EXPOSED BOOT COMPOUND.



⑦ MINIMUM 90 MILS OF POLYGUARD DETAIL SEALANT PW OR POLYGUARD LM-95 APPLIED TO CLEAN, DRY, AND FROST FREE CONCRETE; ALONG THE TOP EDGE OF THE TERMINATION STRIP; OVER FASTENER HEADS; AND ONTO 1" OF THE FABRIC BELOW THE TERMINATION STRIP

⑥ FASTENERS SPACED 2" INWARD FROM EACH CORNER AND NOT MORE THAN 8" SPACING BETWEEN ENDS - BY OTHERS

⑤ 1/8" X 1" METAL TERMINATION STRIP ALIGNED ALONG THE TOP EDGE OF POLYGUARD UNDERSLAB MEMBRANE 'SKIRT' AND POLYGUARD 606 TAPE

⑧ PREPARE AND CLEAN THE FABRIC 6" TO EACH SIDE OF THE 'SKIRT' EDGE. APPLY POLYGUARD 650 LT LIQUID ADHESIVE OR POLYGUARD CALIFORNIA SEALANT TO THE CLEANED AREA AT A RATE OF 50-75 SF / GAL.

⑨ COVER THE ADHESIVE OR SEALANT WITH POLYGUARD FABRIC TAPE. ROLL THE POLYGUARD FABRIC TAPE WITH A HAND-HELD, HARD-SURFACE ROLLER.

US17

PREFORMED US OUTSIDE CORNER BOOT AT CONCRETE COLUMN

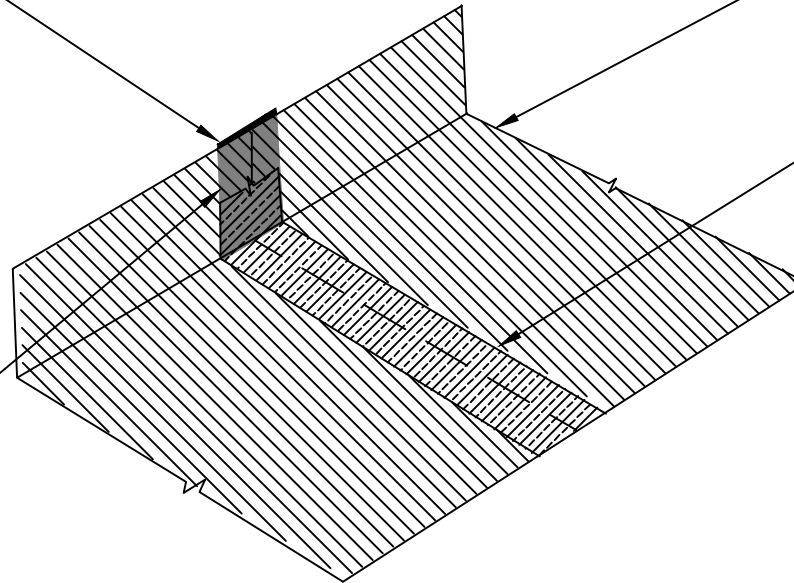
The information provided is based on data and knowledge considered to be true and accurate and is offered for the users' consideration, investigation and verification, but we do not warrant the results to be obtained. Please read all data sheets, statements, recommendations or suggestions in conjunction with our conditions of sale, which apply to all goods supplied by us.	NOT TO SCALE
	EFFECTIVE DATE: 07/15/2024
	SUPERCEDES: 10/01/2022

POLYGUARD DETAIL TAPE OR
DETAIL TAPE WRM PLACED WITH
ASPHALT INTERFACING CLEAN AND
DRY HDPE SIDE OF POLYGUARD
UNDERSLAB MEMBRANE -
COVERAGE ONLY REQUIRED ON
THE VERTICAL SEGMENT

POLYGUARD UNDERSLAB
MEMBRANE FABRIC TOWARD
CONCRETE POUR - APPROVED
SUBSTRATE NOT SHOWN

REFERENCE POLYGUARD END
LAP SEAM DETAIL

END LAP SEAM - POLYGUARD
FABRIC TAPE OMITTED FROM THE
DRAWING IN THIS AREA FOR
CLARITY



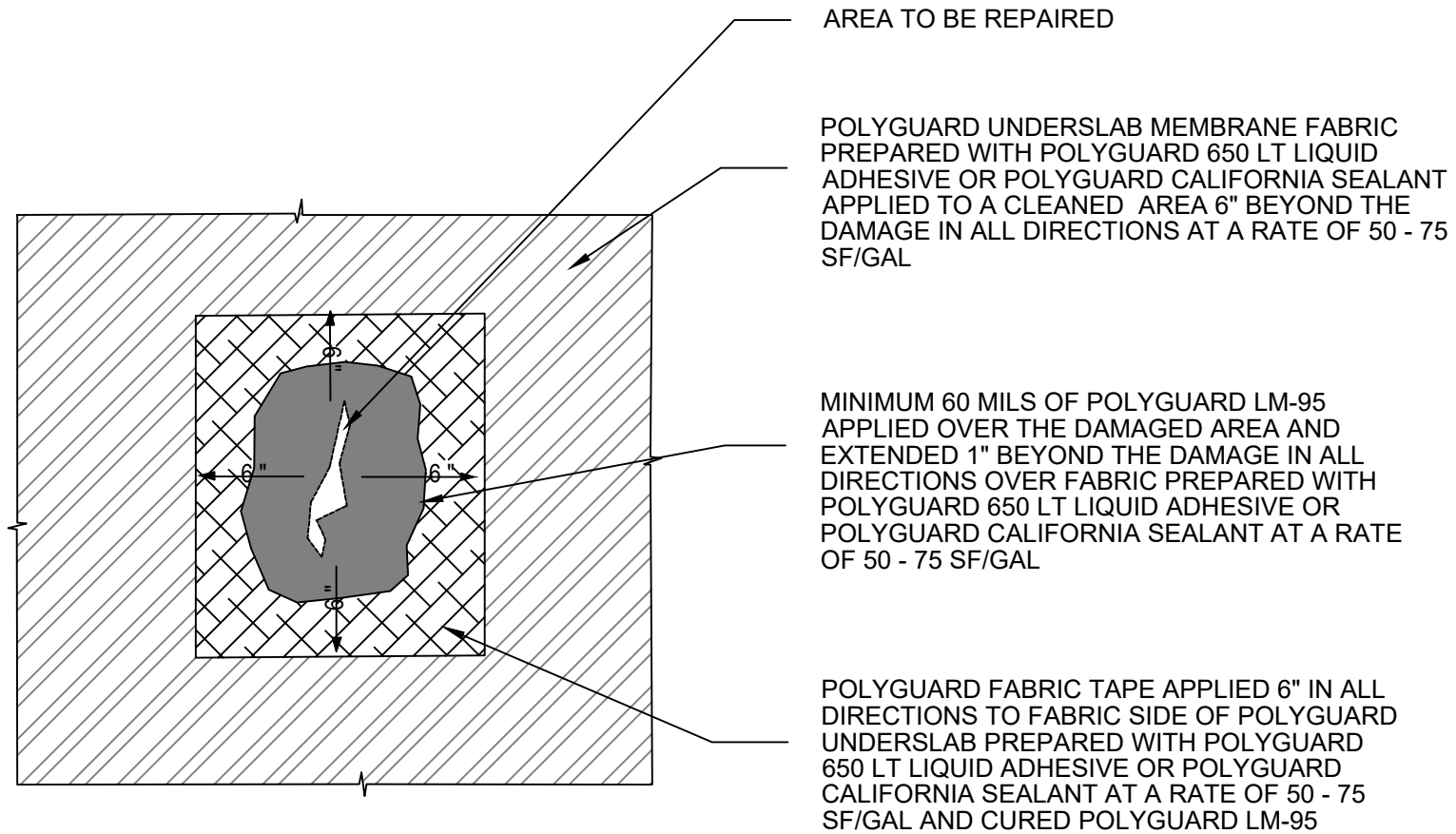
US18

SECTION @ PRE APPLIED SEAL OF VERTICAL LEG TURN UP AT ENDLAP

©POLYGUARD PRODUCTS, INC.
MATERIAL SEPARATED FOR CLARITY

Polyguard Products, Inc.
P.O. Box 755 - Ennis, TX 75120
Phone: 214-515-5000
Web Site - www.polyguard.com

<small>The information provided is based on data and knowledge considered to be true and accurate and is offered for the users' consideration, investigation and verification, but we do not warrant the results to be obtained. Please read all data sheets, statements, recommendations or suggestions in conjunction with our conditions of sale, which apply to all goods supplied by us.</small>	NOT TO SCALE
	EFFECTIVE DATE: 12/16/2024
	SUPERCEDES: 07/15/2024



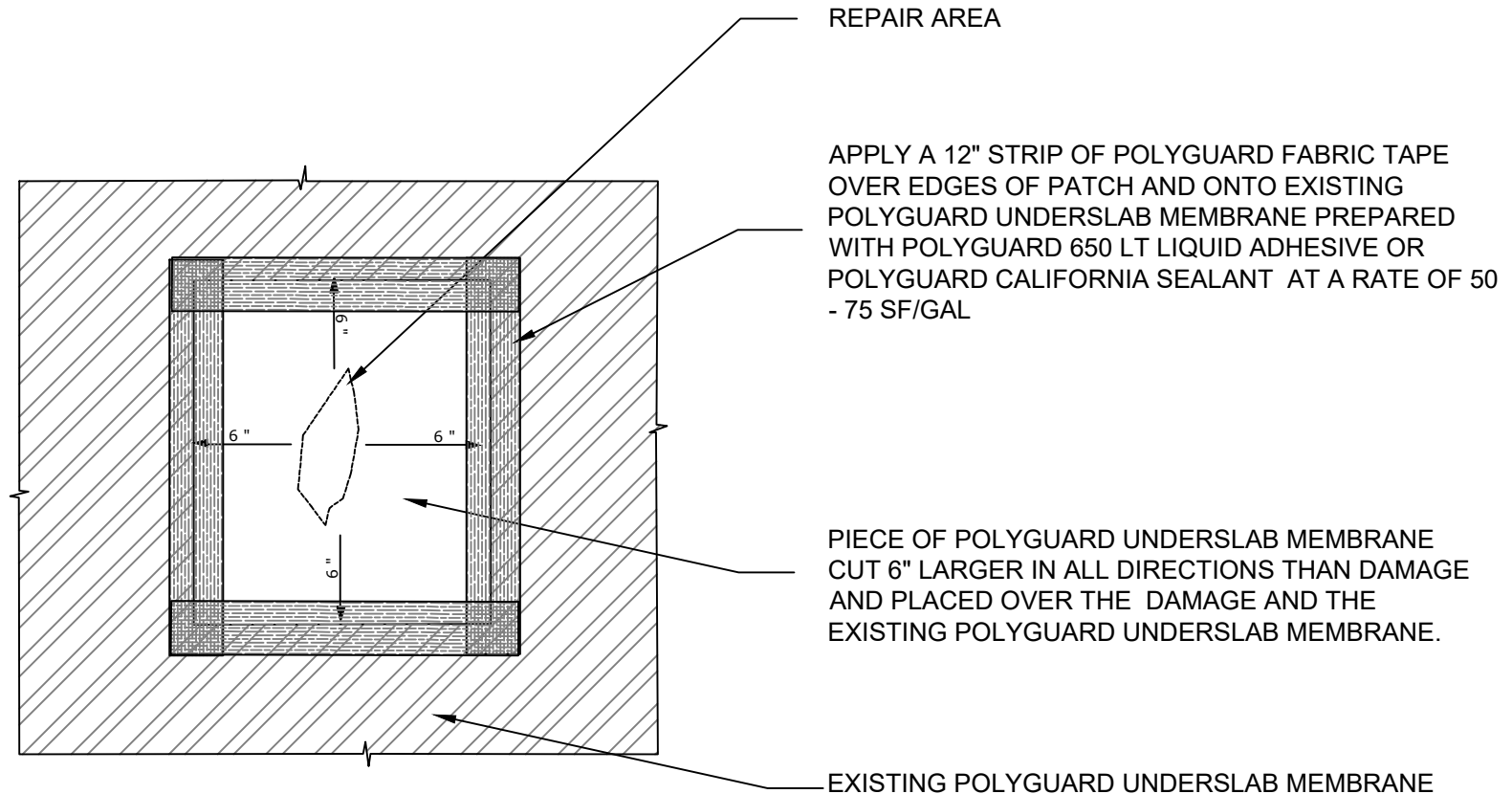
US19

OVERVIEW @ REPAIR PATCH LESS THAN 2 INCHES

Polyguard Products, Inc.
P.O. Box 755 - Ennis, TX 75120
Phone: 214-515-5000
Web Site - www.polyguard.com

©POLYGUARD PRODUCTS, INC.
MATERIAL SEPARATED FOR CLARITY

<small>The information provided is based on data and knowledge considered to be true and accurate and is offered for the users' consideration, investigation and verification, but we do not warrant the results to be obtained. Please read all data sheets, statements, recommendations or suggestions in conjunction with our conditions of sale, which apply to all goods supplied by us.</small>	NOT TO SCALE
	EFFECTIVE DATE: 07/15/2024
	SUPERCEDES: 10/01/2022



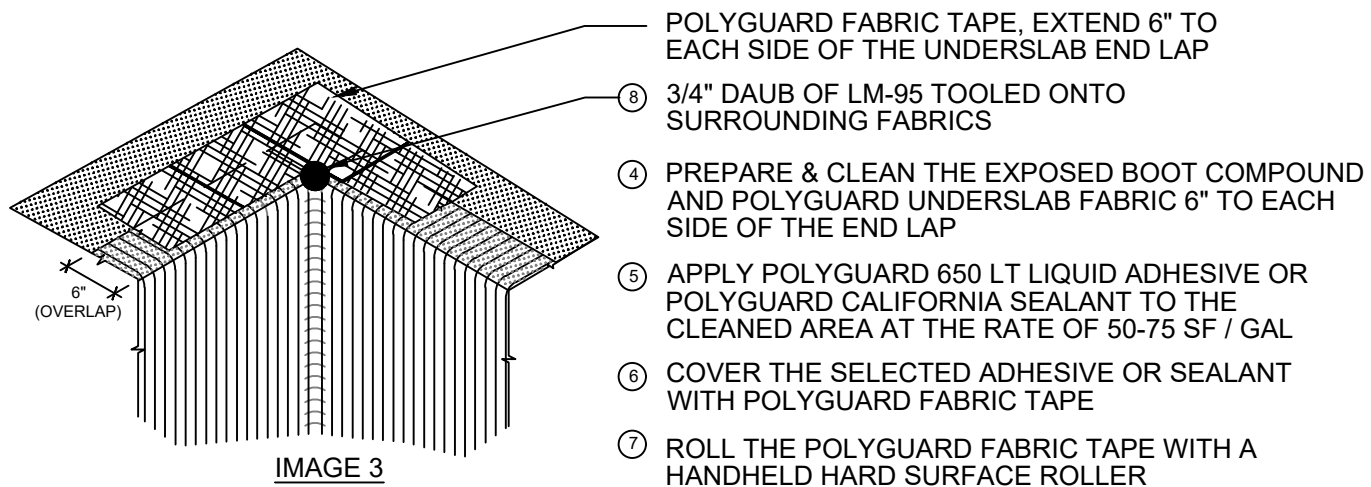
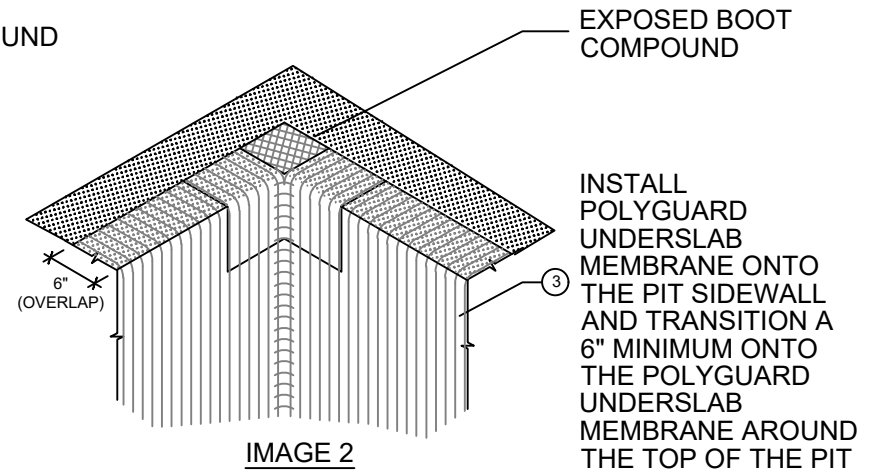
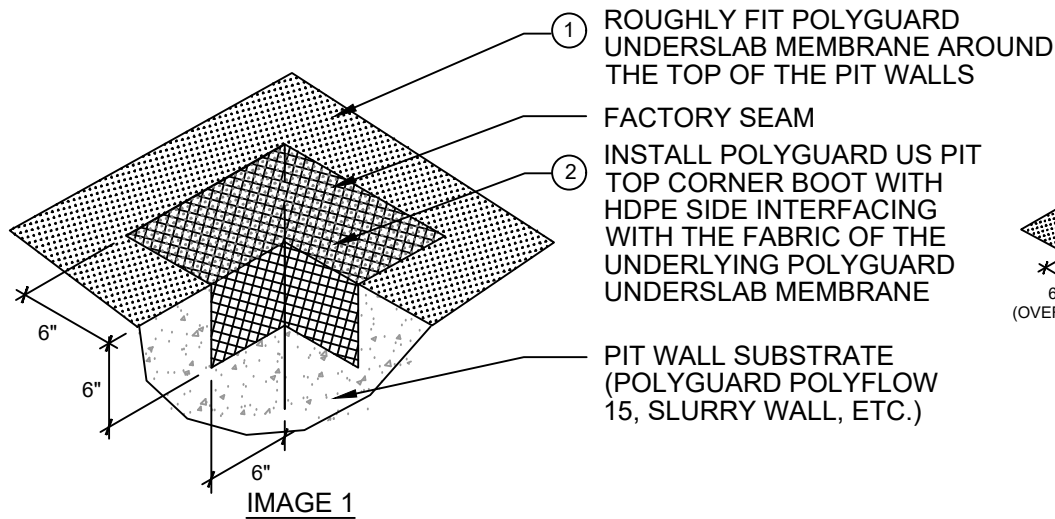
US20

OVERVIEW @ REPAIR PATCH GREATER THAN 2 INCHES

Polyguard Products, Inc.
P.O. Box 755 - Ennis, TX 75120
Phone: 214-515-5000
Web Site - www.polyguard.com

©POLYGUARD PRODUCTS, INC.
MATERIAL SEPARATED FOR CLARITY

<small>The information provided is based on data and knowledge considered to be true and accurate and is offered for the users' consideration, investigation and verification, but we do not warrant the results to be obtained. Please read all data sheets, statements, recommendations or suggestions in conjunction with our conditions of sale, which apply to all goods supplied by us.</small>	NOT TO SCALE
	EFFECTIVE DATE: 07/15/2024
	SUPERCEDES: 10/01/2022



US21

OVERVIEW PIT SIDEWALL TRANSITION AT TOP OF WALL

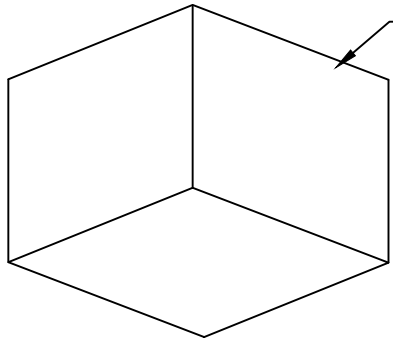


IMAGE 1

CORNERS CAN BE MADE IN FIELD OR PURCHASED PREFORMED BY POLYGUARD. TO MAKE A 12" X 12" BOOT USE A 24" X 24" PIECE OF POLYGUARD 650 MEMBRANE. FOR ADDITIONAL HEIGHT REQUIREMENT ADD POLYGUARD 650 MEMBRANE TO THE VERTICAL LEGS. (REFERENCE POLYGUARD US INSIDE CORNER DETAIL FOR COMPLETE INSTALLATION INSTRUCTION)

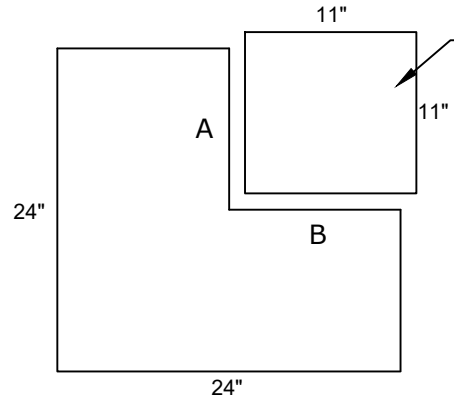


IMAGE 2

CUT AND REMOVE A SQUARE PIECE OF POLYGUARD 650 MEMBRANE FROM THE END CORNER. DIMENSION THE STARTING POINT OF EACH CUT FROM THE CORNER, AND ALONG AN EDGE, A DISTANCE EQUAL TO THE HEIGHT OF THE VERTICAL LEG OF THE BOOT. CUT INWARD FROM THE EDGE TO THIS DISTANCE AND DISCARD THE OFF FALL

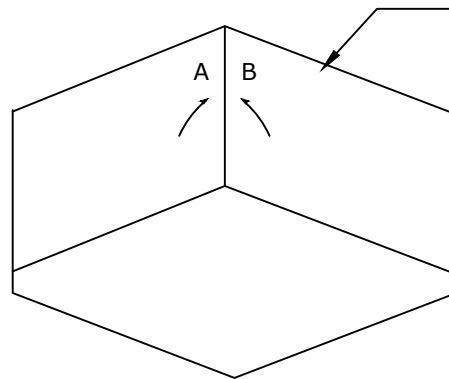


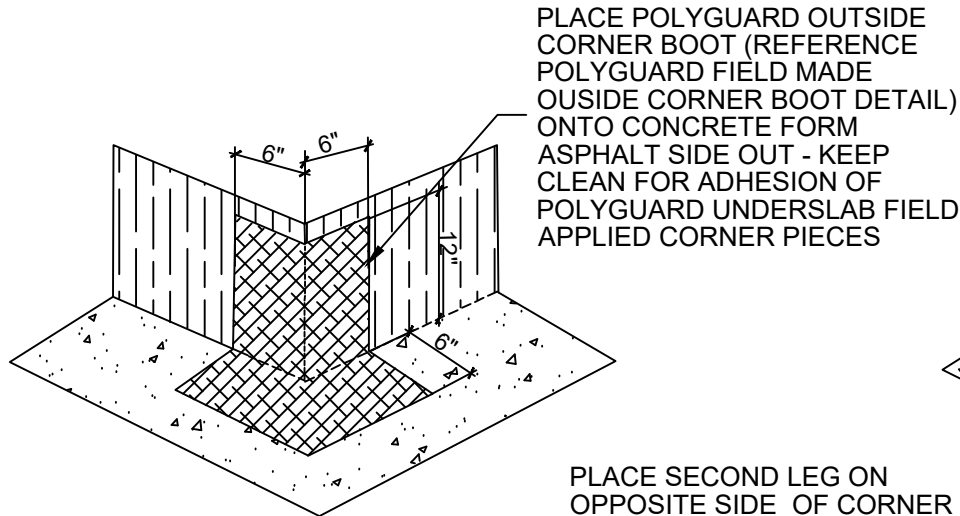
IMAGE 3

REMOVE 1 INCH OF THE FILM SO THE (A) AND (B) EDGES MEET IN THE VERTICAL LEG OF THE BOOT. ROLL SEAM WITH A ROLLER AND UNFOLD TO CREATE THE INSIDE CORNER BOOT

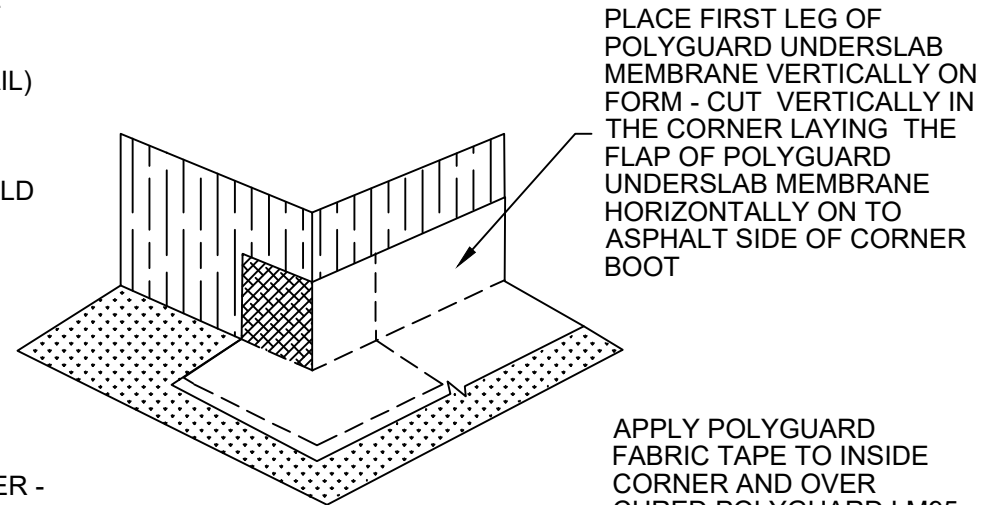
US22

SECTION @ 650 MEMBRANE BOOT FOR US INSIDE CORNER

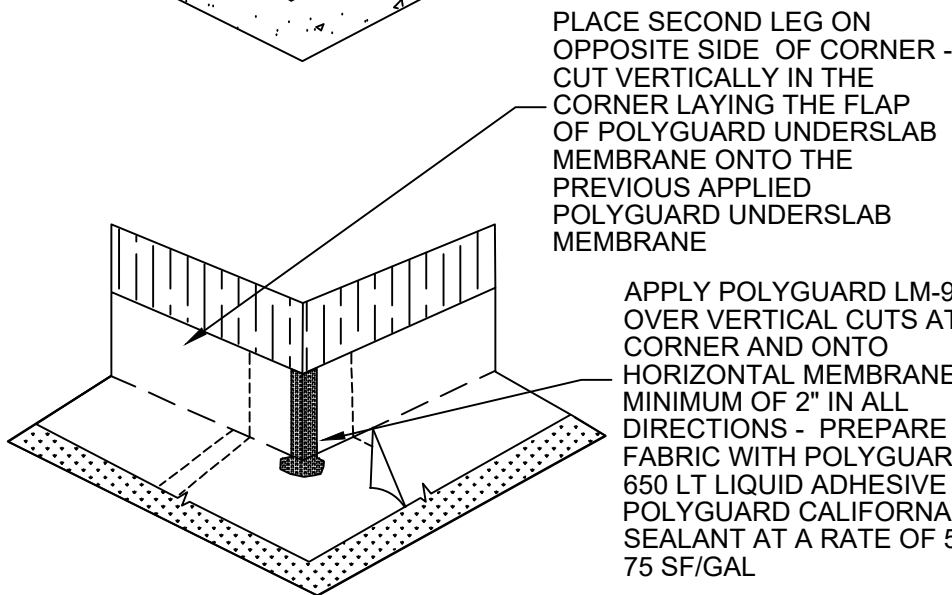
<small>The information provided is based on data and knowledge considered to be true and accurate and is offered for the users' consideration, investigation and verification, but we do not warrant the results to be obtained. Please read all data sheets, statements, recommendations or suggestions in conjunction with our conditions of sale, which apply to all goods supplied by us.</small>	NOT TO SCALE
	EFFECTIVE DATE: 07/15/2024
	SUPERCEDES: 10/01/2022



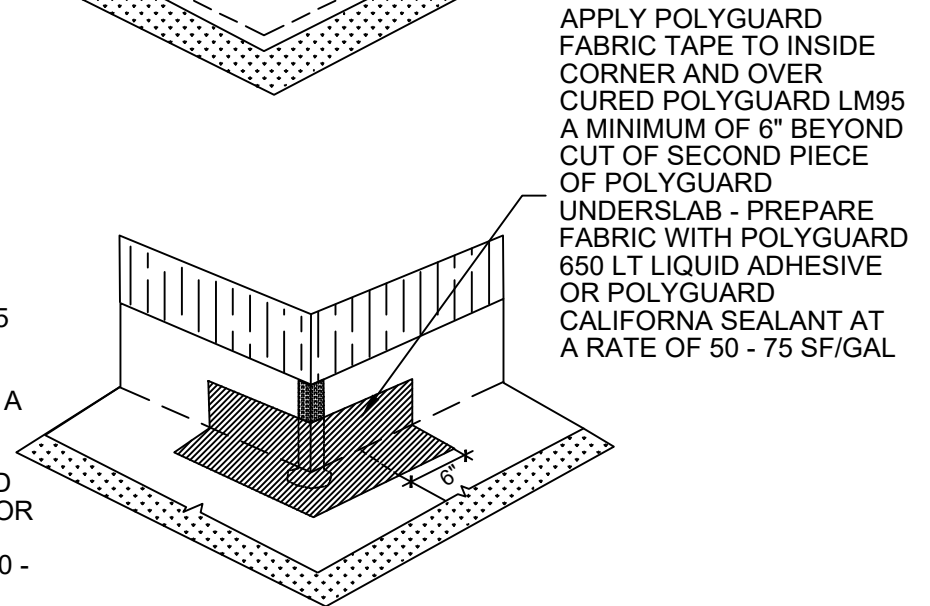
PLACE POLYGUARD OUTSIDE CORNER BOOT (REFERENCE POLYGUARD FIELD MADE OUSIDE CORNER BOOT DETAIL) ONTO CONCRETE FORM ASPHALT SIDE OUT - KEEP CLEAN FOR ADHESION OF POLYGUARD UNDERSLAB FIELD APPLIED CORNER PIECES



PLACE FIRST LEG OF POLYGUARD UNDERSLAB MEMBRANE VERTICALLY ON FORM - CUT VERTICALLY IN THE CORNER LAYING THE FLAP OF POLYGUARD UNDERSLAB MEMBRANE HORIZONTALLY ON TO ASPHALT SIDE OF CORNER BOOT



PLACE SECOND LEG ON OPPOSITE SIDE OF CORNER - CUT VERTICALLY IN THE CORNER LAYING THE FLAP OF POLYGUARD UNDERSLAB MEMBRANE ONTO THE PREVIOUS APPLIED POLYGUARD UNDERSLAB MEMBRANE



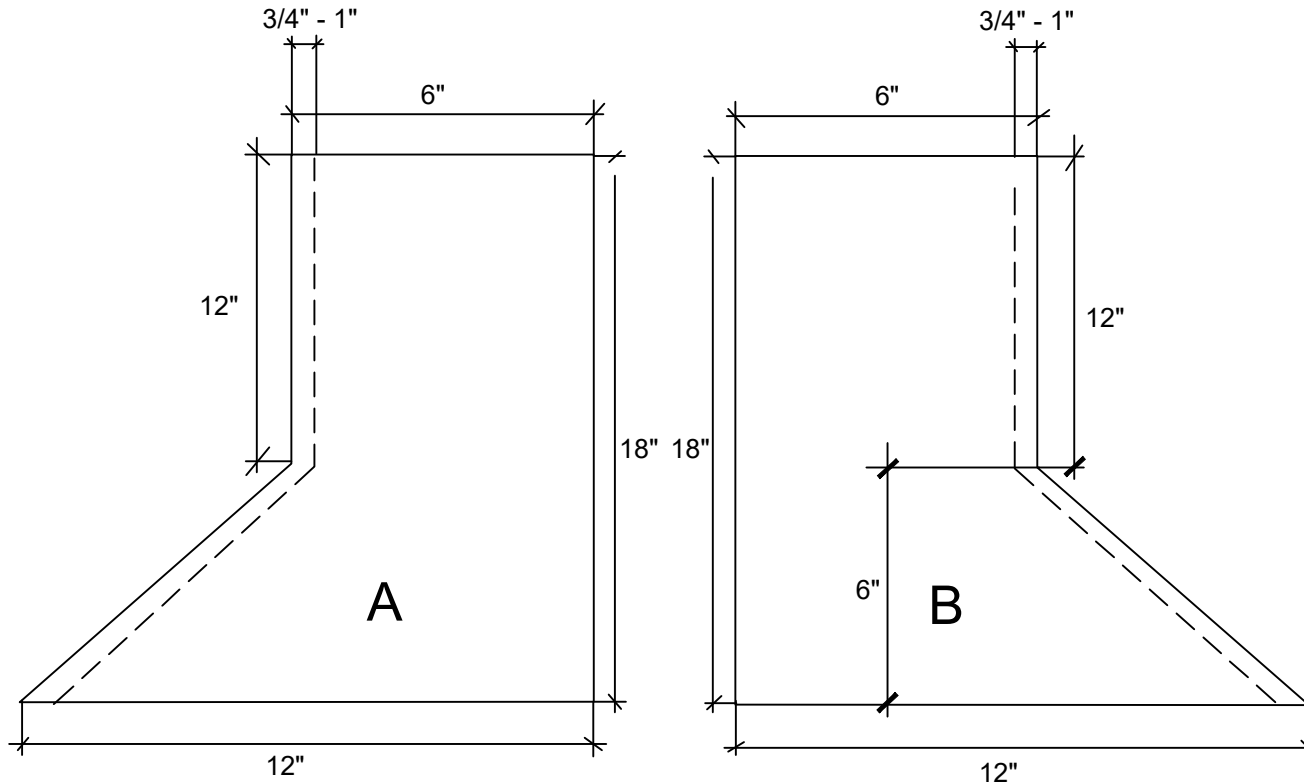
APPLY POLYGUARD LM-95 OVER VERTICAL CUTS AT CORNER AND ONTO HORIZONTAL MEMBRANE A MINIMUM OF 2" IN ALL DIRECTIONS - PREPARE FABRIC WITH POLYGUARD 650 LT LIQUID ADHESIVE OR POLYGUARD CALIFORNIA SEALANT AT A RATE OF 50 - 75 SF/GAL

APPLY POLYGUARD FABRIC TAPE TO INSIDE CORNER AND OVER CURED POLYGUARD LM95 A MINIMUM OF 6" BEYOND CUT OF SECOND PIECE OF POLYGUARD UNDERSLAB - PREPARE FABRIC WITH POLYGUARD 650 LT LIQUID ADHESIVE OR POLYGUARD CALIFORNIA SEALANT AT A RATE OF 50 - 75 SF/GAL

US23

SECTION @ OUTSIDE CORNER (FIELD CUT)

<p>The information provided is based on data and knowledge considered to be true and accurate and is offered for the users' consideration, investigation and verification, but we do not warrant the results to be obtained. Please read all data sheets, statements, recommendations or suggestions in conjunction with our conditions of sale, which apply to all goods supplied by us.</p>	NOT TO SCALE
	EFFECTIVE DATE: 07/15/2024
	SUPERCEDES: 10/01/2022



1. Cut 2 - 12" x 18" pieces of Polyguard 650 or Polyguard Balconyguard Membrane -
 - A. (A) & (B) piece cut to dimensions above and mirror image
2. Score 3/4" - 1" release film at angled edge - remove the film
3. Adhere piece (A) and (B) at exposed 3/4" - 1" compound - roll tight

US24

SECTION @ FIELD MADE OUTSIDE CORNER BOOT

<small>The information provided is based on data and knowledge considered to be true and accurate and is offered for the users' consideration, investigation and verification, but we do not warrant the results to be obtained. Please read all data sheets, statements, recommendations or suggestions in conjunction with our conditions of sale, which apply to all goods supplied by us.</small>	NOT TO SCALE
	EFFECTIVE DATE: 07/15/2024
	SUPERCEDES: 10/01/2022