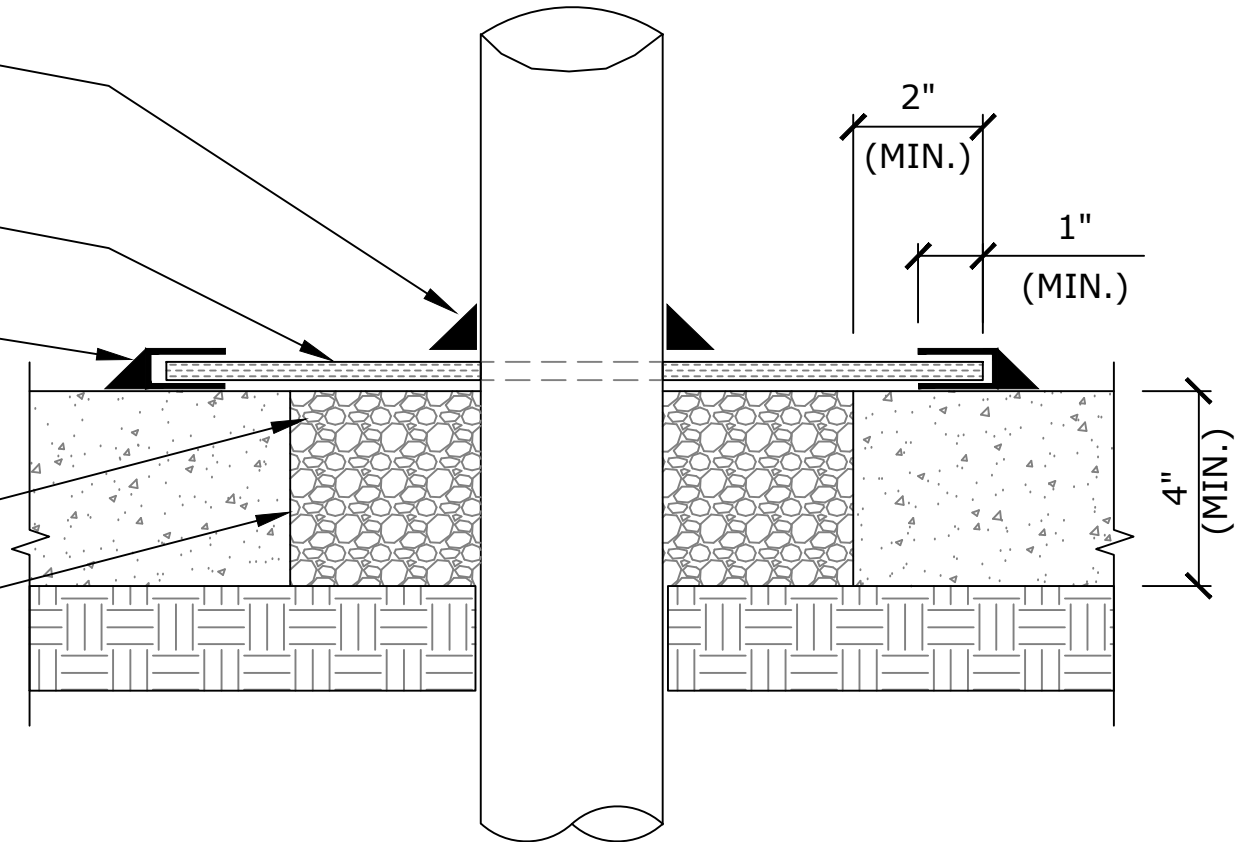


- 5) POLYGUARD TERM TERMITE SEALANT APPLIED AROUND PENETRATION WITH ROUGHENED SURFACE, EXTEND ONTO FACE MINIMUM 3/4"
- 4) POLYGUARD TERM MICROMESH 02 CUT TO FIT OVER PIPE PENETRATION, EXTEND MINIMUM 2" ONTO CONCRETE
- 3) POLYGUARD TERM TERMITE SEALANT APPLIED MINIMUM 1" WIDTH BOTH BENEATH AND ON TOP OF TERM MICROMESH, TOOL SEALANT INTO MICROMESH BEFORE APPLIED ON TOP
- 2) POLYGUARD TERM PARTICLE BARRIER, MINIMUM 4" DEPTH
- 1) BATH TRAP AND WALLS CLEANED OF DIRT AND DEBRIS



**NOTE:** SEE ALSO DETAIL TPC4a - TERM ALL PEST BATH TRAP MICROMESH 02 WIRE SCREEN FABRICATION SUBASSEMBLY

**TPC4** SECTION @ TERM<sup>©</sup> PARTICLE BARRIER - ALL PEST BATH TRAP / MOP SINK BARRIER

©POLYGUARD PRODUCTS, INC.

P.O. Box 755 - Ennis, TX 75120  
 Phone: 214-515-5000 Fax: 972-875-9425  
 Web Site - www.polyguardbarriers.com



**polyguard**  
 TERM BARRIER

The information provided is based on data and knowledge considered to be true and accurate and is offered for the users' consideration, investigation, and verification; but we do not warrant the results to be achieved. Please read all data sheets, statements, suggestions, or recommendations in conjunction with our conditions of sale, which apply to all goods supplied by us.

<b>DRAWING SCALE:</b>	NOT TO SCALE
<b>EFFECTIVE DATE:</b>	06/18/2020
<b>SUPERCEDES:</b>	NONE