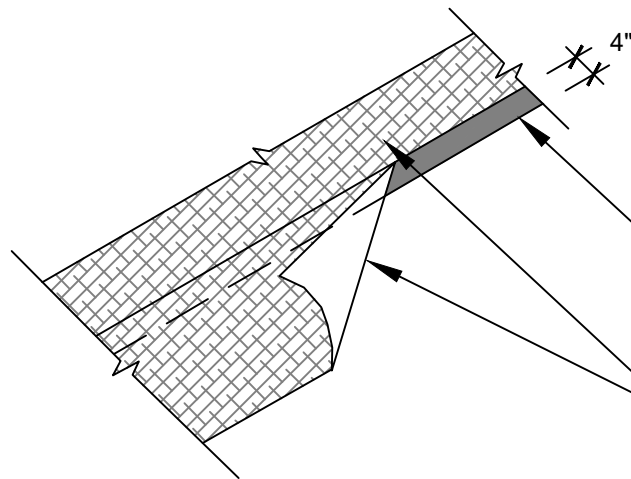


(A) SECTION VIEW

- NOTES:**
1. SELF-ADHERING LAPS ARE FORMED WITH EACH SHEET OVERLAP.
 2. FOR COLD TEMPERATURE APPLICATIONS, PLEASE CONTACT POLYGUARD TERM TECHNICAL SUPPORT FOR ADDITIONAL DETAILS AND/OR INSTRUCTIONS.



(B) ISOMETRIC VIEW

- FACTORY SEAM WITH 4" BARRIER ADHESIVE. REMOVE THE 6" ZIP STRIP JUST PRIOR TO APPLYING THE NEXT COURSE.
- TERM UNDERSLAB WATERPROOFING / TERMITE BARRIER

TU1

TERM[®] UNDERSLAB WATERPROOFING / TERMITE BARRIER - SIDE LAP / FACTORY SEAM

© POLYGUARD PRODUCTS, INC.

P.O. Box 755 - Ennis, TX 75120
 Phone: 214-515-5000 Fax: 972-875-9425
 Web Site - www.polyguardbarriers.com



polyguard
 TERM BARRIER

The information provided is based on data and knowledge considered to be true and accurate and is offered for the users' consideration, investigation, and verification; but we do not warrant the results to be achieved. Please read all data sheets, statements, suggestions, or recommendations in conjunction with our conditions of sale, which apply to all goods supplied by us.

DRAWING SCALE:	NOT TO SCALE
EFFECTIVE DATE:	03/13/2019
SUPERCEDES:	03/01/2019