

PIPE MAY VARY (STEEL, PVC, ETC.)
AND THE PIPE PENETRATION WILL
VARY ACCORDINGLY

CONCRETE SLAB

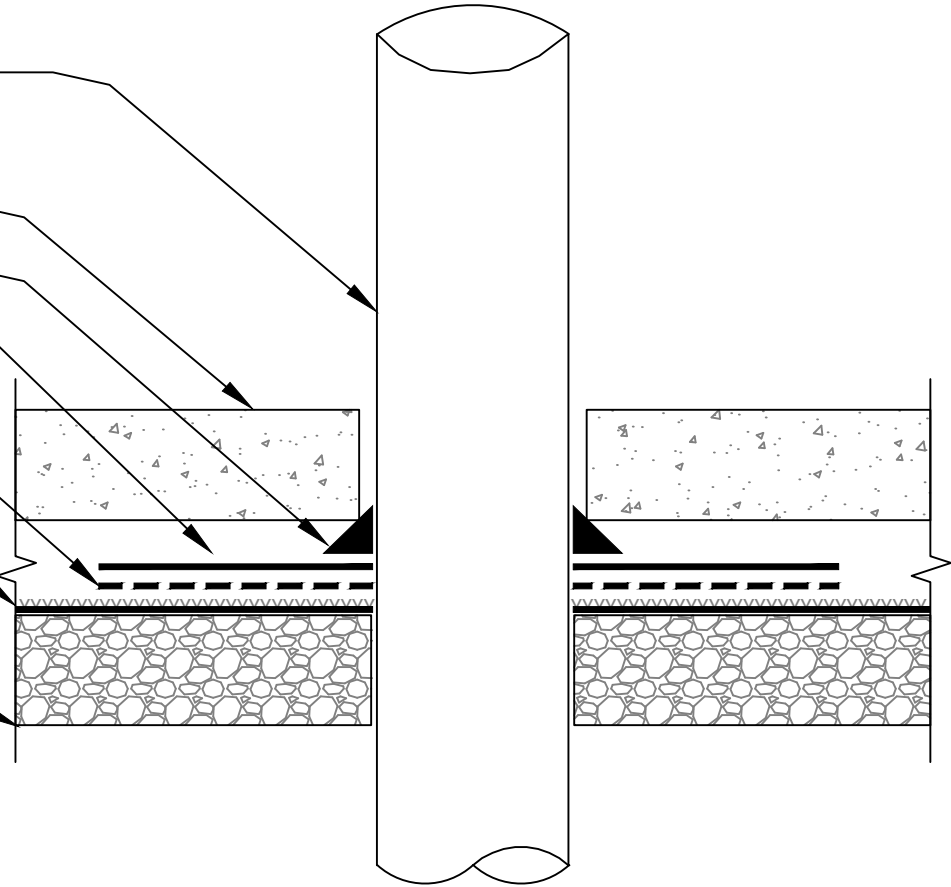
TERM TERMITE SEALANT BARRIER

POLYGUARD TERM FABRIC TAPE 12" PIECE
ADHERED TIGHTLY OVER THE PIPE AND
ONTO THE TERM UNDERSLAB
WATERPROOFING / TERMITE BARRIER

POLYGUARD 650 LT LIQUID ADHESIVE
OR CALIFORNIA SEALANT

POLYGUARD TERM UNDERSLAB
WATERPROOFING / TERMITE BARRIER,
FABRIC SIDE FACING CONCRETE POUR

COMPACTED BASE



TU13

SECTION @ TERM[®] UNDERSLAB WATERPROOFING / TERMITE BARRIER SINGLE PIPE PENETRATION

©POLYGUARD PRODUCTS, INC.

P.O. Box 755 - Ennis, TX 75120
Phone: 214-515-5000 Fax: 972-875-9425
Web Site - www.polyguardbarriers.com



polyguard
TERM BARRIER

The information provided is based on data and knowledge considered to be true and accurate and is offered for the users' consideration, investigation, and verification; but we do not warrant the results to be achieved. Please read all data sheets, statements, suggestions, or recommendations in conjunction with our conditions of sale, which apply to all goods supplied by us.

DRAWING SCALE:	NOT TO SCALE
EFFECTIVE DATE:	03/15/2019
SUPERCEDES:	03/01/2018