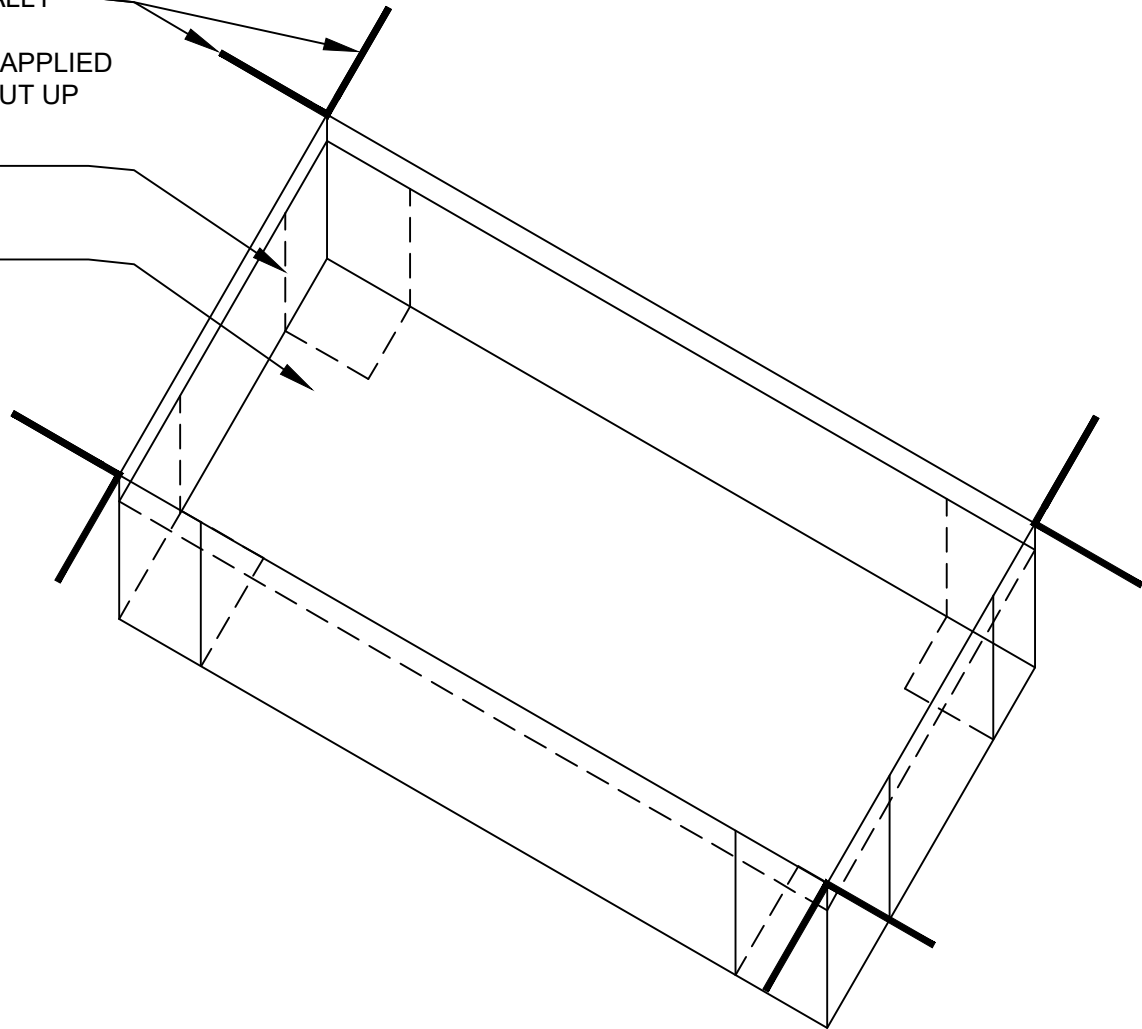


SAW CUTS MUST BE TOTALLY
FILLED AND SEALED WITH
COMPATIBLE SEAL FOAM APPLIED
FROM BOTTOM OF SAW CUT UP

INSIDE CORNERS -
REFERENCE DETAIL TU20

TERM UNDERSLAB
WATERPROOFING /
TERMITE BARRIER



TU9

SECTION @ TERM[®] UNDERSLAB WATERPROOFING / TERMITE BARRIER IN TRENCH

©POLYGUARD PRODUCTS, INC.

P.O. Box 755 - Ennis, TX 75120
Phone: 214-515-5000 Fax: 972-875-9425
Web Site - www.polyguardbarriers.com



polyguard
TERM BARRIER

The information provided is based on data and knowledge considered to be true and accurate and is offered for the users' consideration, investigation, and verification; but we do not warrant the results to be achieved. Please read all data sheets, statements, suggestions, or recommendations in conjunction with our conditions of sale, which apply to all goods supplied by us.

DRAWING SCALE:	NOT TO SCALE
EFFECTIVE DATE:	03/01/2018
SUPERCEDES:	05/18/2017